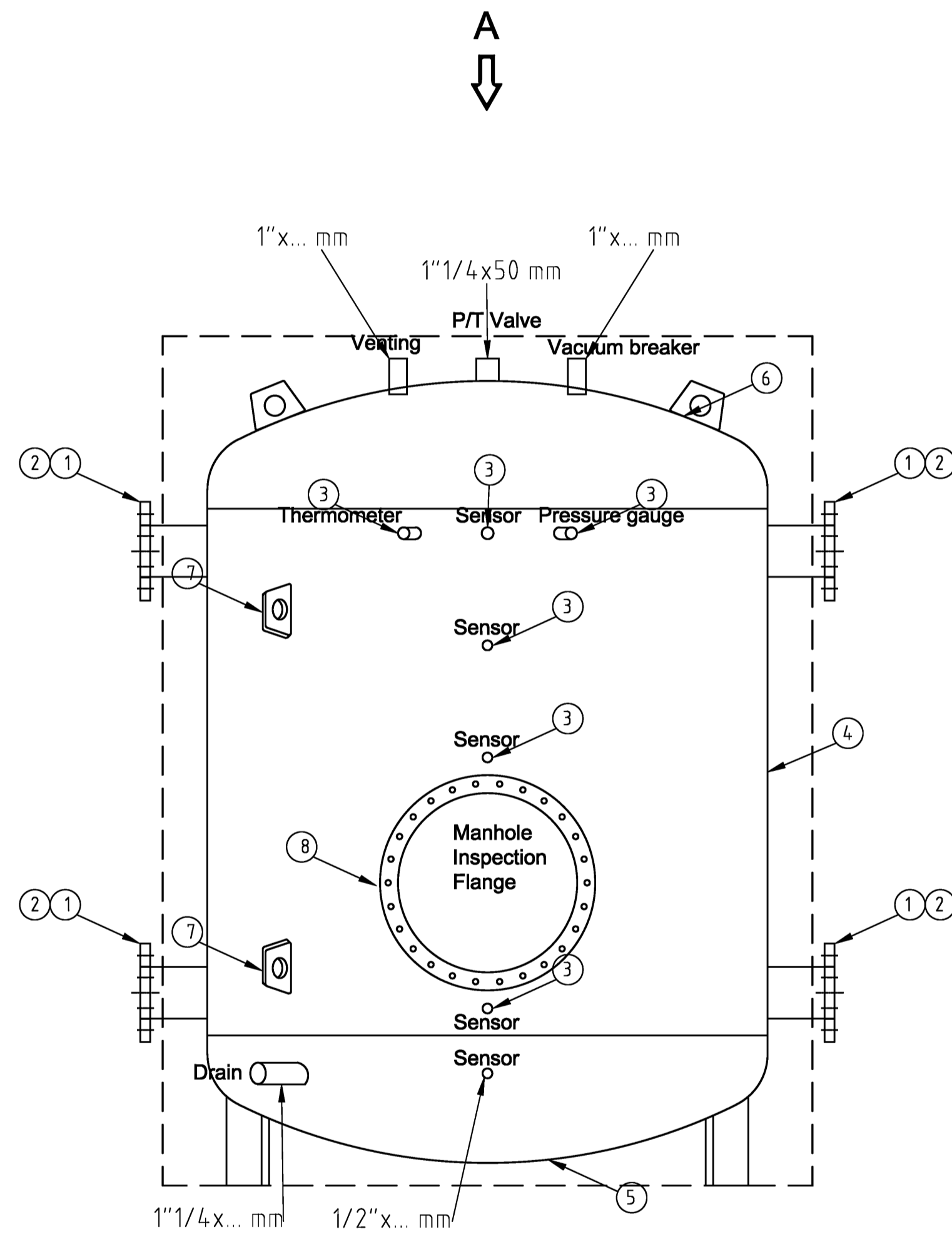
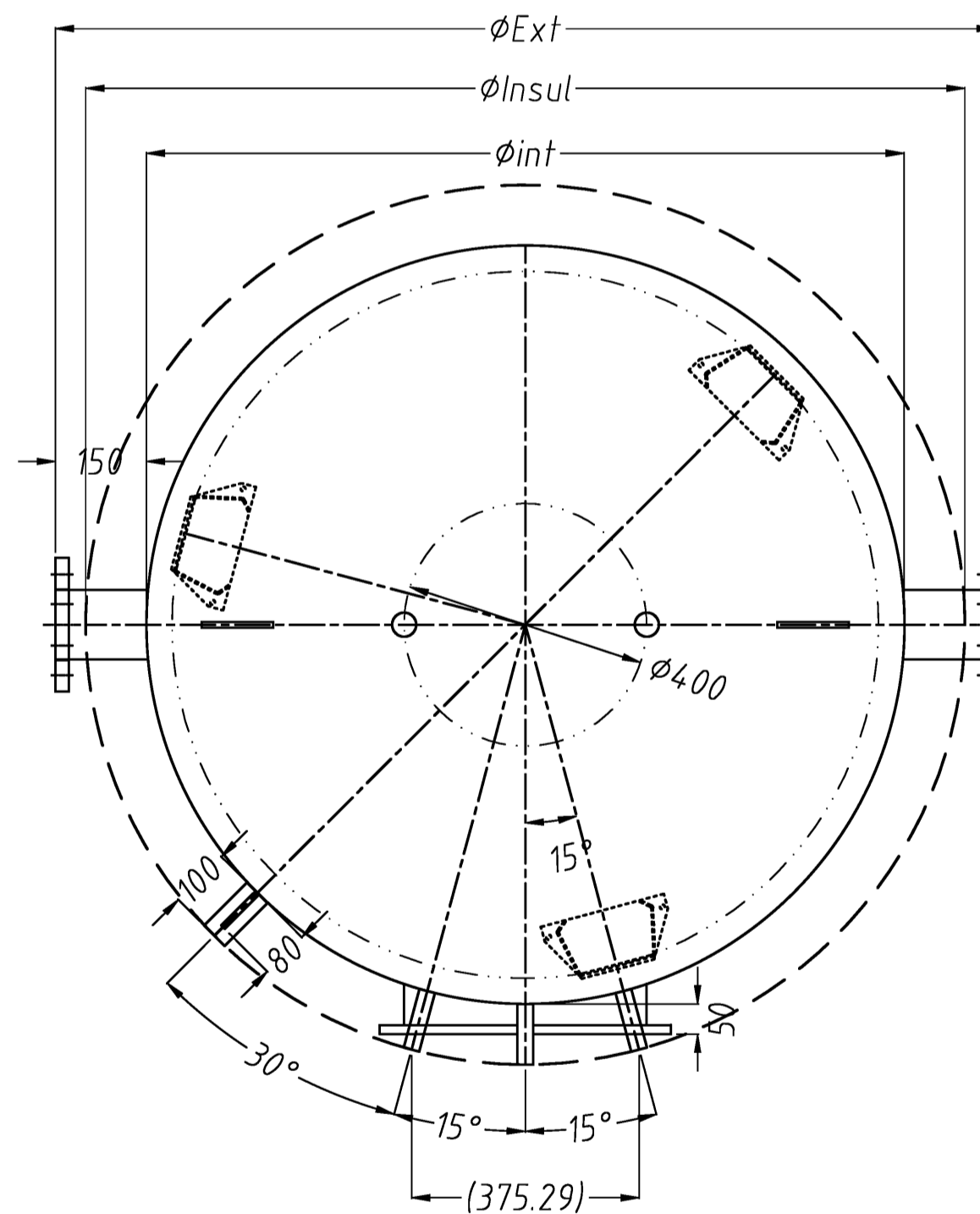


**Insulation:**  
**100mm Soft Polyester+PVC INDOOR Sky**



View from "A"



Flexiheat Low Height Buffer tanks

Position	Net Capacity	D. Ext	D. Insul	D. Int	Htot	Notes
2000L	1950	1550	1450	1250	1900	S235JR Mild Steel
2500L	2450	1800	1700	1500	1750	S235JR Mild Steel
3000L	2980	1800	1700	1500	2050	S235JR Mild Steel
4000L	3950	1900	1800	1600	2340	S235JR Mild Steel
5000L	4950	2100	2000	1800	2370	S235JR Mild Steel

- DISEGNO SU RICHIESTA DEL CLIENTE, VALIDO SOLO PER QUANTO ESPRESSAMENTE INDICATO  
 - DESIGN ON CUSTOMER REQUIREMENT, VALID ONLY EXPRESSLY INDICATED  
 - DESSIN À LA DEMANDE DU CLIENT, VALABLE UNIQUEMENT POUR CE QUI EST EXPRESSÉMENT INDIQUÉ

POS.	DESCRIPTION:	MATERIAL:	Q.TY:	CODE:	REVISIONS:
14					
13					
12					
11					
10	...	...	...	...	
9	Welded Flange ø480/400 mm	S235JR	1	...	
8	Internal threaded 1"x... mm	S235JR	2	...	
7	Tank lifting Hook Thick.=10 mm	S235JR	2	91E10041	
6	Upper Semifinished	S235JR	1	F12.....	
5	Lower Semifinished	S235JR	1	I12.....	
4	Metal Sheet ...x...x... mm	S235JR	1	912S....	
3	Internal threaded 1/2"x100 mm	S235JR	6	91710120	
2	DN100/DN150 Carpentry pipe L=150 mm	S235JR	4	...	
1	PN6 DN100/150 Plane Flange	S235JR	4	...	

TESTING PRESSURE IS ONE AND A HALF OF WORKING PRESSURE

EFFECTIVE CAPACITY (LT.):	PRIMARY CAPACITY(LT.):	PRIMARY WORKING PRESSURE (BAR):	SECONDARY CAPACITY (LT.):	SECONDARY WORKING PRESSURE (BAR):	WEIGHT (KG):
...	...	8	...	...	...

ALL RIGHTS RESERVED. THIS DRAWING IS NOT TO BE GIVEN TO THIRD PART WITHOUT OUR AUTHORIZATION

<b>MATERIAL:</b> S235JR	<b>TREATMENT:</b> VARNISHING	<b>DESCRIPTION:</b> PS .... SPEC.
<b>FIRST ANGLE PROJECTION:</b> 	<b>DESIGNER:</b>	<b>DATE CREATED:</b> 15-10-25
<b>DIMENSIONS IN MILLIMETERS</b>	<b>CHECKED:</b>	<b>CODE:</b> B....4S....
<b>TOLERANCES NOT SHOWN:</b> EN 22768-1 - V	<b>CHECKED:</b> ....	



Created Drawing 15-10-25