



FLEXIHEAT UK LTD

www.flexiheatuk.com

01202 822221

performed

electrical

requirements

electrical engineers

(user manual)

■

□ □ □ □ □ □

□ □ □ □ □ □

□ □ □ □ □ □

□ □ □ □ □ □ □ □

□ □ □ □ □ □ □ □

□ □ □ □ □ □ □ □

□ □ □ □ □ □ □ □

□ □ □ □ □ □ □ □

□ □ □ □ □ □ □ □



1. □ CONTENTS

1.	CONTENTS	2
2.	GENERAL USE.....	3
3.	GENERAL CHARACTERISTICS OF FHEL ELECTRIC BOILERS	3
4.	TECHNICAL DATA.....	7
5.	BASIC INSTRUCTIONS FOR BOILER INSTALLATION	8
6.	BOILER OPERATION – LED DISPLAY WITH BUTTONS.....	13
7.	BOILER CONTROL AND DISPLAY OF BASIC OPERATIONAL INFORMATION.....	17
8.	USER MENU – LED DISPLAY WITH BUTTONS	19
9.	BOILER OPERATION – GRAPHIC TOUCH DISPLAY.....	22
10.	USER MENU – TOUCH DISPLAY	30
11.	SPECIAL BOILER FUNCTIONS	33
12.	HIDDEN BUTTONS ON THE TOUCH DISPLAY.....	34
13.	PUTTING THE BOILER INTO OPERATION.....	35
14.	DIAGRAM FOR SERVICEABLE CONNECTING CHARGE PRESSURES OF HEATING WATER	37
15.	FHEL BOILERS CONNECTION TO THE POWER SUPPLY	38
16.	WARRANTY AND RESPONSIBILITY FOR DEFECTS	46
17.	CONNECTION WITH SOLAR SYSTEM	47
18.	DOMESTIC HOT WATER STORAGE TANK HEATING MODE.....	47
19.	FHEL 8, 15, 23 (KW) BOILER ASSEMBLY	49
20.	FHEL 5, 9, 14 (KW) BOILER ASSEMBLY	50
21.	FHEL 30, 38, 45 BOILER ASSEMBLY (KW)	51
22.	WALL-MOUNTING OF THE BOILER	52
23.	BOILER DIMENSIONS AND CONNECTION.....	53
24.	PRODUCT INFORMATION SHEET AS REQUIRED BY THE EU COMMISSION REGULATION NO. 811/2013 AND 813/2013	54
25.	RECORD OF REPAIRS AND ANNUAL INSPECTIONS	55

2. □ GENERAL USE

The construction of FHEL electric boilers is designed for hot-water heating systems with induced water circulation. They can be installed in central or individual-storey heating with induced circulation sealed or open systems and they are characterized by an environmentally friendly operation without requirements for venting of the combustion product. Service-free operation enables the installation of an external regulator, other external regulating or controlling components (not included in the boiler delivery package!), simple equitherm regulator or room thermostat integrated directly in the automatic controlling system which maintains the pre-set room temperature. The electric boiler can be used as a universal source of heat for heating flats, small family houses, resort houses and also as an alternative source to another main heat source of heating and hot water preparation (also for transitional periods) – for heat pumps, accumulation systems or in previously installed central or single-storey heating systems etc.

3. □ GENERAL CHARACTERISTICS OF FHEL ELECTRIC BOILERS

FHEL electric boilers are wall-mounted appliances designed for water heating in a heating system and potentially for domestic hot water heating (hereinafter referred to as “DHW”) in an indirect heating storage tank.

FHEL boilers are produced in three series. The first, lower output series, has three types: **8, 15 and 23 kW**, in the second **higher output series** there are a further 3 types: **30, 38 and 45 kW**. In terms of the construction and manner they are controlled and regulated in the same manner as with the output lower series. The latest series are with touch display boilers in variants **5, 9 and 14 kW**.

The electric boiler is formed by a steel vessel with inbuilt heating bars, heating temperature probe and safety thermostat (these components are all located under one cover in the upper part of the vessel). The vessel is made from a varnished steel sheet and it is fitted with thermal insulation. Heating water inlet, on which a circular pump is mounted, is welded at the bottom part of the boiler. A lug located in the upper part of the vessel is adjusted to the cup for the boiler temperature sensor and emergency thermostat. Heating water outlet and threaded sleeve pieces are also located in the upper part of the vessel. **Heating bars** (up to 6) are screwed in the sleeve pieces. In variants 5, 9 and 14 kW there are 3 bars with the output 1.5 kW (each bar has three independent 0.5 kW *heating bodies*), 3 kW (each bar has three independent 1 kW *heating bodies*) and 4.5 kW (each bar has three independent 1.5 kW *heating bodies*), the remaining series of boilers have bars, each with the total output of 7.5 kW (in each *heating bar* there are three independent *heating bodies*, each 2.5 kW). An automatic vent valve is placed at the highest point of the water heating circuit. The boiler control box enables connection of an external room thermostat, programmable (time) switch and MRC (mass remote control) tariff switch. **Switching and electric line protection of the boiler and output inlets for the heating bars are not located in the boiler** but they always form part of the electric distributor of the flat or house. Terminals of the main wiring are concentrated in the right part of the boiler. A sufficiently rated output line contactor or switch (correctly marked!) which are used for disconnecting the electric boiler from the power network must be connected right next to the boiler during its installation.

◆ Boiler operation characteristics:

Operational stage of the boiler is launched when heating system temperature drops below the temperature set on the boiler control panel or on the room thermostat. Control circuit of the heating bars becomes activated and heating water inside the boiler body becomes heated gradually. After the required temperature has been reached in the room (if a room thermostat is applied), the control microprocessor unit starts switching off the heating bodies one by one and the heating of the water stops. At this moment the function of an adjustable limited pump deceleration (in terms of time or temperature) becomes activated.

As standard, FHEL boilers are also fitted with emergency thermostat which delivers maximum safety. It is connected to the control circuit of the integrated output contactor. The disconnection of the emergency thermostat (disjunction of the controlling circuit relay and heating bars) and thus the boiler shut-down occur when the temperature reaches 105°C. Shall the emergency thermostat become disconnected, the boiler can be only put back into operation by an authorized service engineer. Another protection of the boiler is assured by a pressure switch

which disengages the control circuit when the heating system water pressure decreases (when there is not enough water in the heating system). When the system becomes replenished with water, the boiler automatically relaunches operation. Proper deaeration of the heating system must be assured prior to launching and also during boiler operation. The heating system bleeding is partially ensured by the automatic vent valve which is placed at the outlet of heating water from the boiler body.

◆ Selected important characteristics and merits of FHEL electric boilers:

- top microprocessor control
- **digital 3-character LED display** (displays selected temperatures, pressure, output, error and other messages) or **touch LCD display** (displays alpha-numeric selected temperatures, pressure, output, error and other messages)
- very quiet operation (switch power relay of the heating bodies)
- state-of-the-art design
- ergonomic, interactive control
- fluent regulation by 0.5 kW (EL 5), 1 kW (EL 9), 1.5 kW (EL 14) and 2.5 kW for lower output series EL 8, 15, 23 (5 kW for upper output series – EL 30, 38 and 45)
- service-adjustable pump deceleration
- protection of the pump against particulate build-up
- PID regulation
- anti-freeze protection
- DHW heating option (terminals for an external three-way valve, NTC temperature sensor or a storage tank thermostat)
- optional connection of an external NTC sensor (integrated equitherm regulation)
- connection of an NTC temperature room sensor (automatic controlling system as a room regulator)
- integrated safety switch contactor for all output phases
- optional external control by means of GSM (external modem necessary)
- optional connection of an external regulator with OpenTherm communication
- balanced loading of the heating bars and bodies
- power relays do not form part of the processor board printed circuits (easy servicing and replacement). Special relays with integrated fastons were used, i.e. high currents do not flow through printed circuits.
- boiler start system functioning on the basis of a mass remote control (MRC)
- external control of energy input (relief relay)
- soft start
- integrated Grundfos or Wilo pump
- integrated 7 l expansion vessel (with the lower performance series)
- integrated safety valve
- automatic bleeding
- digital heating water pressure sensor (fitted with all types)
- auto-diagnostics, unequivocal service notification of defects
- optional boiler parameter adjustment (rich service menu)
- three-digit display (displays selected temperatures, pressure, output, error messages etc.)
- further 7 LEDs for unequivocal signalling of the operational conditions
- option of a default setting (immediate change of operation into the factory settings mode)

◆ Brief characteristics of the main merits of FHEL electric boilers:

Simple and intuitive operation

The control is designed in a simple, understandable and unambiguous way. Simple operation is also enabled by way of a three-digit LED 7-seg display complemented by an unambiguous signalling system of a series of LEDs. Boilers EL 5, 9 and 14 are equipped in standard manner with a touch display with easy-to-orientate control and signalling in various world languages.

Pump protection against clogging

Regular spinning of the pump (once every 24 hours) prevents potential clogging of the pump during an extended boiler down time.

Optional DHW heating

It is possible to additionally connect an external indirect DHW heating storage tank to the FHEL boiler. Heating of the storage tank water is ensured by means of changing the position of the three-way valve. The boiler electronics can communicate with the temperature sensor (continuous DHW temperature regulation) as well as with the traditional storage tank thermostat (can be set in the service menu).

External regulatory elements

Boiler control by way of room thermostat or equitherm sensor is commonplace. Connection of the boiler to the room thermostat or equitherm probe leads to further savings for electricity. The FHEL boiler is moreover able to cooperate with regulators communicating via the OpenTherm communication protocol. Additional communication interface is not necessary. If the NTC temperature sensor is connected only in a room of reference according to which the whole heated space is regulated, automatic control system can be used as a simple room regulator! (This can be set in the user menu.)

Safety switch contactor

Safety three-phase contactor is inserted in the power branch circuit at the boiler inlet which can cut the power from the heating bars in case of emergencies and detected incorrect conditions (for further details see auto-diagnostics of the automatic control system) and prevent a potentially dangerous situation from occurring.

GSM operated boiler

The boiler can be switched on and off by means of a mobile phone (it is however necessary that an external modem is used; the modem is not an item of the boiler delivery package!). The boiler operation can be remotely launched by calling on a GSM modem connected to the boiler, for example prior to returning from holiday, so that the house has a pleasant temperature at the time of arrival. The module is not included in the delivery. The module cooperates with the automatic system of the REK electric boiler with software 6.0 and later. For later SW the function may slightly differ from this description.

Balanced service load of heating bars

Principle of a balanced service load on the heat bars extends their life-time. The heating bar which was connected first will be also disconnected first within the framework of the regulation cycle which leads to an increase in overall reliability and prolonged durability of the appliance. The processor assess the operational time of individual heating bars and actuates them in a manner which ensures a thermally balanced loading of the boiler (the boiler body) and even service load of the bars.

MRC system for launching the boiler operation

FHEL boilers signal and respond to commands from the MRC receiver of the external distributor. The output signal of this receiver must be connected to the reset conductor which is attached to the MRC/R terminal. This method of remote control

enables the boiler to operate in a low tariff rate and thus significantly reduce energy costs. Maximum boiler output can be limited in the service menu if the operation must proceed also outside the so-called “low tariff”.

!!! Shall other ways of installing the MRC receiver be applied the output of which is one of the phases (MRC/L1 - L3), it is necessary to assure transmission to the R level (reset conductor) by means of e.g. installing an auxiliary relay in the external distributor.

Soft start

The soft start function rests in a gradual heat-up of the heating system which is therefore protected against abrupt upward temperature gradient. When the boiler is switched on or a new regulation period is initiated and the resulting quick change in temperature caused by induction of heat into the system could also bring about noise due to the dilatation of pipes, the boiler is actuated in the so-called “soft start” and limits the output after it is launched.

Auto-diagnostics, unambiguous signalling and service messages

FHEL electric boilers are equipped with a very useful system of auto-diagnostics chiefly with respect to service. This function facilitates speedy and efficient removal of a potential boiler defect. Apart from the commonly displayed user values – heating water temperature (the TOP circuit), DHW temperature, outdoor or room temperature sensor, TOP circuit pressure – the display can show other service information if the service menu is set up correspondingly: E.g. disconnection or short circuit of all sensors, boiler output, MRC condition and other error messages.

Wide choice of parameter settings

Service and user menus of FHEL boilers provide a wide range of boiler settings according to specific conditions of operation or based on customer requirements:

- The option of setting various outputs for the heating water and heating of DHW undoubtedly offers positive financial effects.
- The possibility of setting different outputs with the MRC signal switched on or off provides the user with a pleasant heat comfort.

External energy input control

If there are several concurrently operating electrical apparatuses and the household has increased requirements for power take-off, the FHEL boiler user will certainly appreciate the external energy input control function. A relief relay can be connected to the distributor with a pre-set value of the electric current. If the current reaches e.g. 30 A, the boiler disconnects a specified number of heating bars and relieves the whole system.

SLEEP standby mode

Another function the advantage of which will be namely appreciated by those users who stay outside home for longer periods of time is the SLEEP mode. This mode is used in situations when the house will not be inhabited for an extended period and the user wants to have the heating system reliably safeguarded against solidification or freeze-up. Boiler in the SLEEP mode consumes minimum amount of power but the protective boiler functions – spinning, unblocking and anti-freeze protections – are also active. If the boiler is connected to an equitherm sensor, the drop in outside temperature activates an anti-freeze protection which can protect not only the actual boiler but the entire heating system.

If during the boiler's operation none of the control panel buttons becomes activated, the display automatically switches over to the saving mode (only the LED is turned on).

4. TECHNICAL DATA

Lower performance series:

		THERM EL 5	THERM EL 9	THERM EL 14	THERM EL 8	THERM EL 15	THERM EL 23
Nominal thermal output	kW	4,5	9	13,5	7,5	15	22,5
Minimum regulating output level	W	500	1000	1500	2500	2500	2500
Number of output regulation	-	9	9	9	3	6	9
Rated current	A	7(21)	13(39)	20(60)	11(33)	22(66)	33
Level of electrical coverage	IP	40					
Electricity voltage / frequency	V/Hz	3 x 400/230 + N + PE/50			3 x 400 + N + PE/50		
Max. rated current	A	3 x 8 (1x24)	3 x 14 (1x42)	3 x 21 (1x63)	3x 12 (1x36)	3 x 24 (1x72)	3 x 36
Main electricity circuit breaker	A	10(25A)	16 (50)	25 (80)	16 (40)	25 (80)	40
Nominal current for the control	A	1,25					
Electrical service life of relay	-	1.10 ⁵ cycles (16 A, 250V/50 Hz)					
Mechanical service life of relay	-	10.10 ⁶ cycles					
Input – output of heating water	-	G 3/4" external					
Minimum working over-pressure	bar	0,8					
Maximum working overpressure	bar	2,5					
Maximum temperature of the	°C	80					
Water volume of the boiler	l	6,0			14,5		
Efficiency at nominal output	%	99					
Volume of expansion tank	l	7					
Maximum number of boilers in	ks	32					
Dimensions (height/ width /depth)	mm	625/475/235			805/475/235		
Weight of the boiler without water	kg	27 (30)	27 (30)	27 (30)	37 (40)	38 (41)	39 (42)

Higher performance series:

		THERM EL 30	THERM EL 38	THERM EL 45
Nominal heat output	kW	30	37.5	45
Rated current	A	44	55	66
El. components degree of shielding	IP	40		
Power voltage / frequency	V/Hz	3 x 230 + N + PE/50		
Max. rated current	A	3 x 48	3 x 60	3 x 72
Wiring main circuit breaker	A	50 A	63 A	80 A
Rated current of the control system fuse	A	1.25		
Electric durability of the relay	-	1.10 ⁵ cycles (16 A. 250V/50 Hz)		
Mechanical durability of the relay	-	10.10 ⁶ cycles		
Heating water inlet/outlet	-	male G 1"		
Min. service overpressure of the heating assembly	bar	0.8		
Max. service overpressure of the heating assembly	bar	2.5		
Max. heating water temperature	°C	80		
Boiler water capacity	l	28.0		
Effectiveness for nominal output	%	99		
Expansion vessel capacity	l	to order (placed outside the boiler!)		
Dimensions (height/ width /depth)	mm	805/475/235		
Boiler weight without water	kg	56.5	59.5	62.2

◆ Manufacturing control

All boiler parts are checked and correctly set by the manufacturer prior to final assembly. Each boiler is tested on water circuit tightness and the function of the regulating and safety components is set and tested as well.

The boiler was manufactured in line with:

Standards: CSN EN 60 335-1, CSN EN 60 335-2-30, CSN 06 1008, CSN 07 7401, CSN 06 0810, CSN 07 0240, CSN 06 0310, CSN EN 60 730, CSN 06 0830, CSN EN 60 730-1, CSN 06 1010; Government Regulations: No. 163/2002 Coll., 17/2003 Coll. and 18/2003 Coll.

5. □ BASIC INSTRUCTIONS FOR BOILER INSTALLATION

Electric boilers are designed for permanent connection to a fixed mains supply voltage. A disconnecting device – main circuit breaker and a corresponding electric line protection – must be installed in the permanent electric boiler mains.

Installation of electric boilers can be carried out only by a qualified expert company or authorized worker with the required qualification level in the field of electrical equipment maintenance. In the process of installation, all pieces of advice as well as warnings included in this Manual must be observed. It must be performed in compliance with the valid standards and provisions! The connection of an electric heating is subject to authorization issued by the local power distribution plant. An applicant must ask for a provisional approval with the connection of a higher energy input and for a relevant direct heating dwelling unit tariff. In the case of construction of a new or repair of an old central heating system, we suggest that the design is elaborated by an expert. Performance of an expert installation by an authorized service organization is always the precondition for warranty provision by the manufacturer! Connection to the electric network and the wiring can be carried out only by an expert worker qualified in line with the Czech Decree No. 50/1978 Coll.

Installation location must be chosen for the electric boiler which will enable necessary access for the operator or for the purposes of a service inspection. Minimum distances between the boiler and a solid obstacle are shown in the Figure in the Chapter “Wall-mounting of a boiler”. Ask an expert worker of the company which performs the installation for a demonstration of the system function and training for operation. Once the boiler has been put into operation, a letter of guarantee must be certified by the authorized expert service worker.

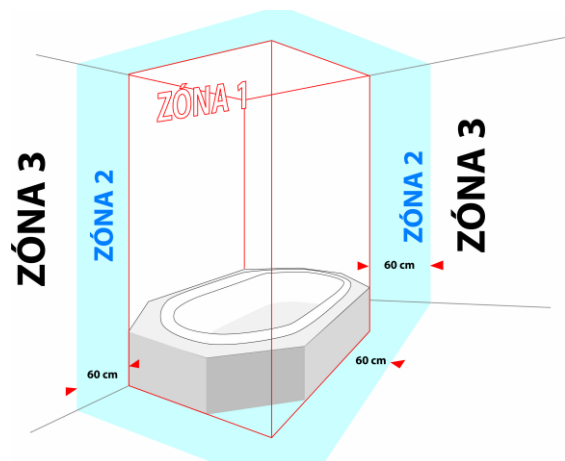
In the location of the electric boiler installation pressure water for filling the heating system and water discharge point must be available. It is further necessary that the room has a sufficiently even wall (electric boiler is wall-mounted).

◆ Boiler location

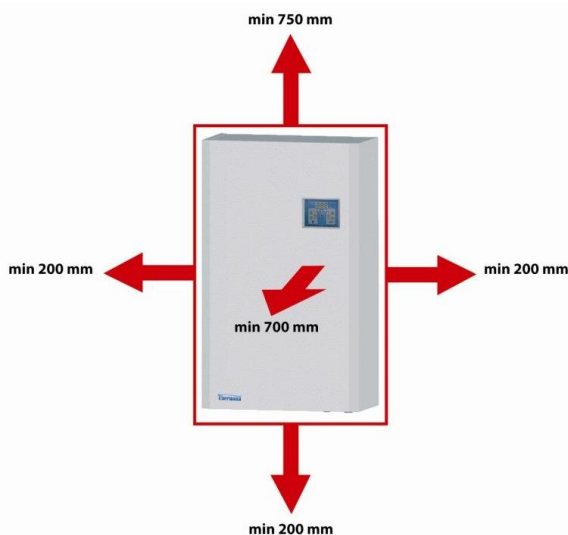
Electric boilers can be installed in the basic environment AA5/AB5 according to the standards CSN 2000-3 and CSN 33-2000-5:51 (range of temperatures between +5 and 40°C, humidity depending on the temperature of maximum 85 %, no harmful chemical influences). It can be installed in residential as well as non-residential spaces with the exception of rooms with a bathtub or shower, in bathrooms and wash rooms in general in zones 1 and 2 according to CSN 33 2000-7-701. It cannot be however installed in zone 3 in locations where a water jet designed for cleaning can form. If the boiler is installed in the permitted zones, relevant electric current accident protection must be concurrently performed in accordance with the same standard, too.

The installation location must be chosen which will allow sufficient access for the operator as well as service inspector.

Degree of shielding of the boiler electric components is IP 40.



◆ Wall-mounting of the boiler



Electric boiler is mounted on the wall by means of a fixing strip (1) supplied with the boiler according to the Figure in the Chapter “Wall-mounting of the boiler”. If the boiler is mounted on a wall with a lower carrying capacity, it is recommended to consult the installation with a civil engineering technician. Free space of at least 200 mm below and 750 mm above the lower and upper edges of the jacketing shall be left for the purposes of inspecting the boiler or replacing the heating bodies (see Figure depicting the boiler wall-mounting and installation).

◆ Connecting the boiler to the hot-water heating system

Electric boiler must be connected to the distribution network in a manner preventing its aeration. Connection to the heating system must be tackled in a project design calculating hydraulic ratios of the whole system because the installation involves a hot-water flow-through boiler fitted with an integrated pump. It needs be noted that minimum flow through the boiler must be constantly assured for the designated boiler output at maximum thermal gradient of the heating system amounting to 20°C. Any reduction of this flow (due to integrated high hydraulic friction elements) results in insufficient circulation and drop in life-time of some boiler parts. To utilize the maximum output of the heat exchangers, ensure correct functioning and high durability, the minimum heating system overpressure must amount to 0.8 bar.

Proper rinsing of the heating system resulting in the removal of all impurities must be performed prior to testing and launching the operation of the whole system in line with CSN 06 0310 within the framework of the installation. A suitable filter must be unconditionally fitted in the recuperative water inlet from the heating system into the boiler to prevent impurities from entering the boiler system.

The heating system must be installed in accordance with CSN 06 0830 -- Safety equipment for central heating and domestic hot water heating and CSN 06 0310 – Central heating – designing and assembly.

Shall the boiler be connected to a sealed heating system, such system must have a pressure expansion vessel of sufficient capacity (higher performance series boilers are not equipped with their own expansion vessel).

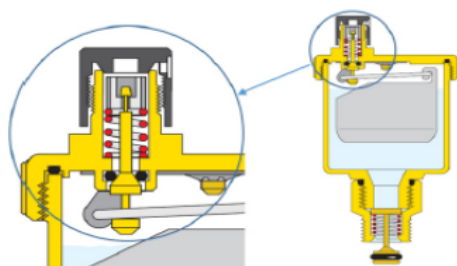
!!! We **must** ensure:

- fill the **system with soft water** in line with
- fit the boiler outlet with a **fast-acting air eliminator** in addition to the **one** fitted to the **boiler**
- mount a filter or a sludge device into the pump suction section;
- overflow valve should be installed in heating systems with thermostatic valves
- mount a heating system charge and discharge cock and a sludge cock at the lowest point of the system in the very proximity of the electric boiler
- separate all electric boiler types on inlet and outlet by stop valves, too (see standards CSN 06 8030), not to be forced to discharge the whole system in case of inspection or repair of the boiler or during filter replacement

IMPORTANT

Make sure that you unscrew or loosen the air vent cap on the automatic air eliminator on the boiler – to ensure that the air can be vented to atmosphere- if the cap is closed – the automatic air eliminator will not work!

For normal automatic venting, open cap one full turn for a slow release of air. A fast release of the air will allow dirt or scale in the water to plug the operating mechanism. The small hole in the side of the cap allows air to escape



◆ Boiler connection to electric network

Wiring can be installed only by an authorized person in the sense of the Decree No. 50/1978 Coll. on professional qualification in electrical engineering. Certification of the boiler installation and putting into operation must be noted in a proper manner on the letter of guarantee. Any interference with internal boiler wiring (with the exception of wiring specified in this Manual, e.g. the external regulator connection instead of jumper wire) are inadmissible!

The boiler control box must be connected according to the relevant CSN standard by means of a separately protected line which enables its disconnection and which is located in the very proximity of the electric boiler!

Current protective switch must be used if the electric boiler is installed in a bathroom.

The power wiring is connected by a 5-conductor system to the U, V, W, N and PE terminals. In the case of a 4-conductor system the N and PE terminals shall be connected together and the power wiring matched with the U, V, W and PE terminals.

If MRC is connected to the boiler control box, the MRC receiver outlet is matched with the terminal marked HDO/N.¹

WARNING! When using the MRC receiver signal on the HDO/N terminal, it must be made sure that all contactor coils of other appliances (e.g. of the boiler if it is connected to the common MRC signal) are energized with the same phase!

When operation must be delivered also outside the so-called “low tariff”, the maximum boiler output limit can be switched off in the service menu also without the MRC signal (P4.4)!

Recommended cable cross sections under the plaster:

Boiler output [kW]	5	9	8	14	15	23	30	38	45
Power take-off [A]	7	13	12	20	24	36	48	60	72
PVC insulated cable with copper conductors 5 [sq.mm]	2,5	2,5	2,5	4	4	6	10	16	25

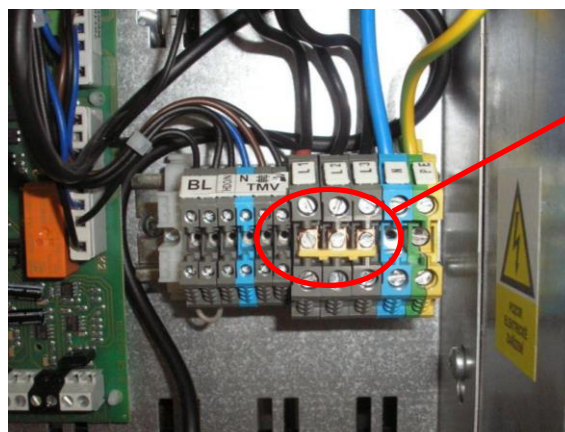
◆ Connection of electric boilers to one phase

FHEL 5, FHEL 9, FHEL 14, FHEL 8 and FHEL 15 electric boilers can only be connected in certain cases to a single-phase electrical network.

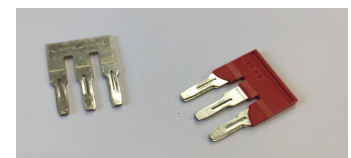
Connection of FHEL5, FHEL8, FHEL9 and FHEL14 electric boilers to a single-phase network

For the connection of FHEL 5, 8, 9 and 14 boilers, a 3-phase jumper is supplied which connects all three terminals. The supply cable with cross-section max. 10 mm² (for EL 14 max. 16 mm²) can be connected to any of the three terminals marked L1, L2 or L3. We recommend to protect using a single-phase circuit breaker according to the table!

The connecting strip with bolts is attached to the boiler. Before the connection it is necessary to remove the plastic separating partition pieces between the individual phase terminals.



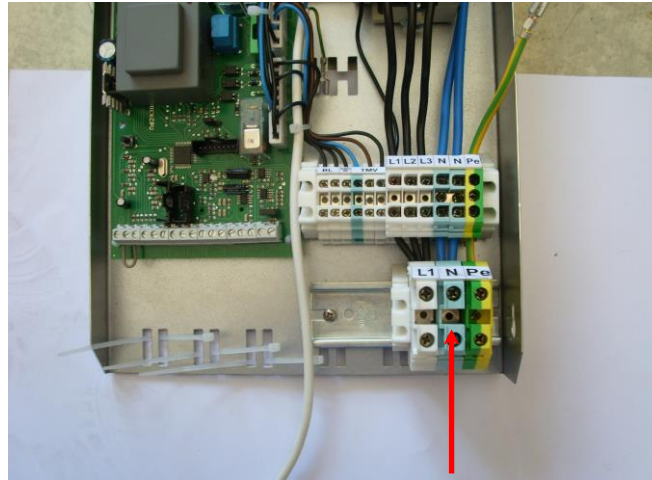
3 phases jumper



picture of the types of supplied jumper

Connection of the Therm EL 15 electric boiler to a single-phase distribution line.

For the connection of boiler EL 15 to a single-phase set of terminals a DIN bar is delivered which is screwed into the prepared holes in the metal sheet under the existing terminals and for the prepared conductors it is connected to the original terminals. This ensures the connection of all three-phase distribution lines inside the boiler and the possibility to connect the supply cable with the conductor with a cross section of a max.16 mm². We recommend protecting using a single-phase 80A circuit breaker! The connecting set has the storage number **43473** – “Set for connection to 1 phase for EL 15”.



◆ Charging the heating system

For the duration of the heating system charging, the boiler must be unplugged from the electric network by disconnecting it by the main circuit breaker. It is useful to maintain the level of filling pressure in a cold system in the range between 1 and 1.5 bar. Filling must proceed slowly in order to let the air bubbles escape through the respective valves. According to CSN 07 7401 the water used for the first filling as well as for refilling must be clear, colourless, without any suspended substances, oil or chemically aggressive admixtures, with a minimum carbonate hardness (max. 3.5 mval/l) and it cannot be acidic (pH cannot be below 7). Only approved agents can be used for water hardness adjustments.

Non-observance of the aforementioned requirements results in cancellation of the undertaking for the damaged components!

◆ Choice of the regulating and controlling components

The boiler is fitted with basic regulatory and safety elements as the following electric diagrams show. Therm-EL boilers can regulate their outputs. They are equipped with their own PID regulation which does not allow heating over the set temperature. Even if the TOP temperature is set to 80°C, electric boilers frequently overheat up to the temperature of 96°C, while FHEL boiler heats up to the maximum temperature of 84°C.

It is always suitable and economical to let the electric boiler be controlled by a superior regulatory element (room thermostat or an OpenTherm communication regulator). ***These regulators are not included in the boiler delivery package!***

Connection of a room thermostat and servicing of the boiler electric section may be carried out only by authorized service organizations!

Regulation based on temperature in a referential room (room regulator) or an equitherm regulation of the heating water, or potentially both, can be used as further extensions to the regulatory option. A whole series of regulatory or switch thermostats can be used to control the room temperature or OpenTherm communication regulators such as CR 04 or PT59X.

Regulators (room regulator, water temperature thermostat, trip relay of the current value monitor or an OpenTherm regulator) can be connected to the boiler's input terminals (24V= circuits).

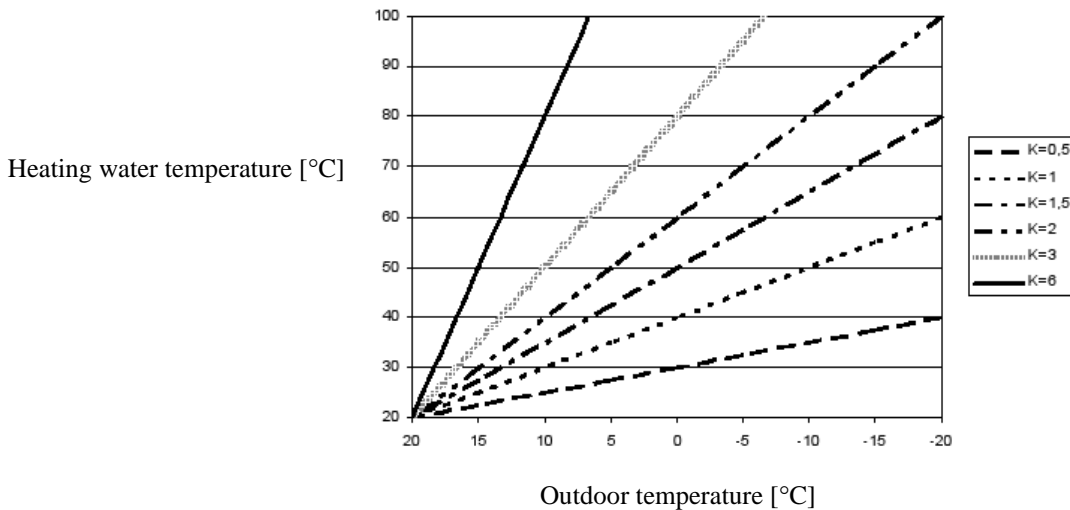
□□□M□□□□ □□ □□□rr□□□□ □□□□r **HJ 103TRX** is a device used for disconnecting or reducing the output of the electric boiler when other high power input electrical appliances (e.g. flow-through water heater, washing machine, dish-washer, stove etc.) are connected to the network. Such a device rules out the necessity of purchasing a high-capacity main circuit-breaker which also means the payment of a high lump fee.

If a part of the electric boiler needs to be disconnected, the tripping device becomes connected to the terminals for a trip relay (see the wiring scheme). The output size which becomes disconnected by individual trip relays is set by changing the parameters (**P0⁻**, **P1⁻**, **P2⁻**, **P3⁻**) in the control panel (from zero to maximum) in the service menu.

If the contact of the external tripping device should disconnect the whole boiler, it shall be either connected serially in combination with the room thermostat (24V=) or to the terminals of the blocking element (230V/50Hz).

Equitherm (outside temperature) regulation

Heating water temperature in the equitherm regulation system is controlled on the basis of outdoor temperature. The regulation takes place according to equitherm curves which specify the dependence between outdoor temperature and the temperature of heating water required to reach the desired room temperature. An equitherm curve must be drawn on the basis of designed, calculated or measured heat losses of the building. This type of regulation does not have any feedback which would take into account higher cooling on one side of the house by wind or heating by sun and, as a result, it cannot safeguard accurate temperature regulation in all parts of the house. Boiler connection to room thermostat and Therm Q01 outdoor sensor enables utilizing the equitherm regulation which leads to additional energetic cost-cutting. THERM EL boiler is moreover capable of cooperating with OpenTherm communication interface regulators without any further communication interface installation. The inclination and shifting of equitherm curves can be modified in the automatic control **user menu**.



Regulation according to room of reference

Used in family houses. Only temperature of a selected room is monitored on the basis of which the entire flat environment is regulated. Other rooms with diverse heat losses will be heated to different temperature unless further thermoregulating knobs are not installed on the radiators. This method has the advantage of a more flexible regulation. If an NTC temperature sensor located in the room of reference is connected to the boiler automatic control system – without any other external regulator – the automatic control system can be used as a simple room regulator (adjustable in the user menu – a Prt heating mode).

◆ MRC – mass remote control

Mass remote control (MRC) enables transmission of electricity as well as various commands to the users regarding tariff switching on the electrometer and operation of some appliances via standard distribution network. Mass remote control is a set of technical means (e.g. emitters, receivers, central automatics, transmission routes etc.) serving the emission of commands or signals for switching on or off electrical appliances. The MRC system has replaced the switch clock used in the past. Each customer who makes use of tariff switching must be equipped with a respective device which ensures this activity. This device is placed on the electrometer panel and cooperates with the electric boiler. The MRC receiver is an apparatus which performs the required switching operation (it for example blocks or unblocks an electrical appliance) as a result of a processed MRC signal.

Depending on the service setting, the boiler can be operated either only if the cheaper tariff signal is activated (the “HDO” LED is turned on) or if the user requires so (Ph⁻ parameter, P4.4).

6. □ BOILER OPERATION – LED DISPLAY WITH BUTTONS

Description of the control panel:

Control panel is simple and intuitive and displays the boiler functions.

The panel uses colour-coding and graphical division of the heating and DHW preparation sections. LEDs positioned between the buttons for setting the temperature *higher/lower* (up/down arrows) are turned on if the particular mode is selected (i.e. either the DHW² preparation mode or the heating water mode marked TOP).

If the display shows any other variable, pressing one of the ▲ , ▼ buttons (1) displays the heating water temperature (the LED “°C” TOP is turned on).

If the display shows any other variable, pressing one of the ▲ , ▼ buttons (2) displays the DHW temperature (the LED “°C” DHW is turned on).

Changing the value of the desired variable: When the heating water temperature is displayed (the LED “°C” TOP is on), the first pressing of one of the heating temperature setting buttons displays the setting for the required value of this temperature. This is indicated by the flashing of LED “°C” TOP. Required value can be changed within the ranges defined in the service menu. The set value becomes automatically registered in the memory after 15 seconds of inactivity (measured after the last button was pressed).

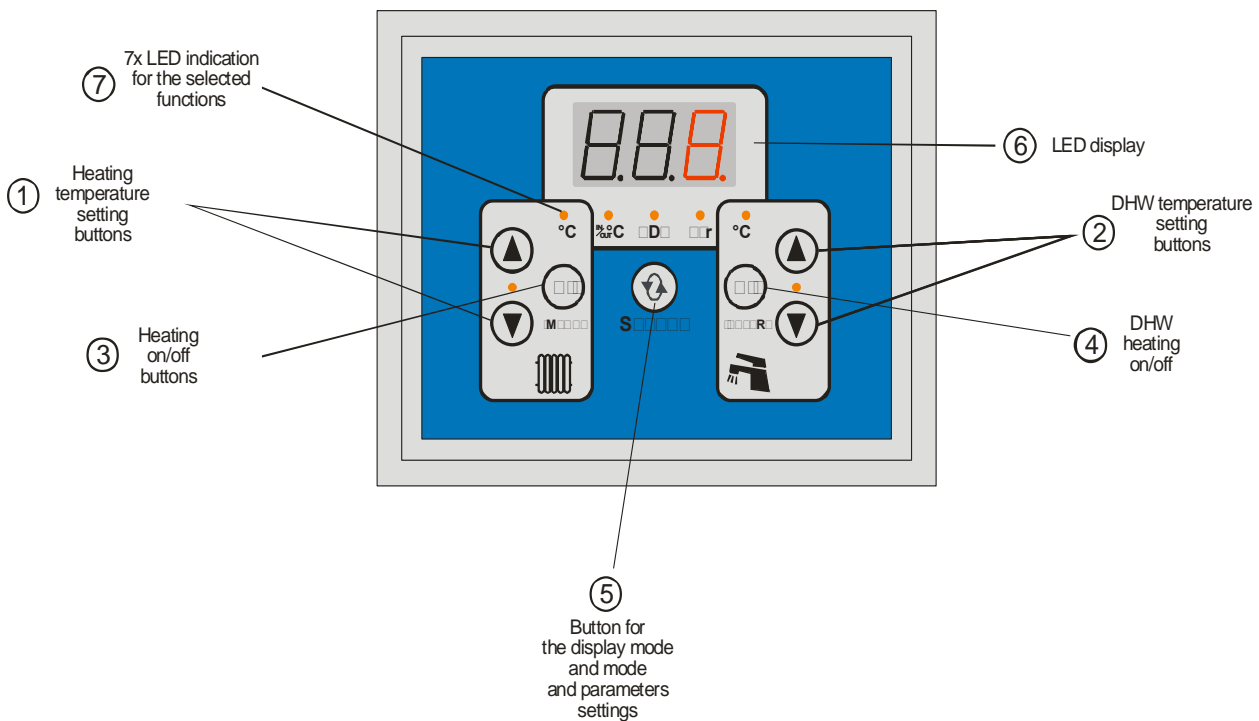
The required DHW temperature is set in a similar fashion (by the DHW temperature setting buttons).

The five LEDs below the main display show the variables which are currently set or indicated on the 3-digit display:

- if the LED “°C” (TOP or DHW) is on, the display shows the temperature of water in the heating or DHW circuits
- if the LED “^{IN}/_{OUT} °C ” is on, the display shows the temperature of the outdoor or room temperature sensors
- if the LED “HDO” is on, the MRC signal is activated and the boiler produces heat in the low tariff
- if the LED “bar” is on, the display shows the pressure in the TOP system in bars

Automatic control elements (user access):

- 1. Buttons for displaying heating temperature settings ▲ , ▼ (1) – higher/lower, additionally, if selected, browsing through the service MENU**
- 2. Buttons for displaying DHW temperature settings ▲ , ▼ (2) - higher/lower, the flashing value of the selected variable can be also changed in the menu)**
- 3. Heating on/off button O/I (MENU) (3) (press shortly), open the MENU (press for more than 2 seconds), exit the MENU (press shortly)**
- 4. DHW heating on/off button O/I (ENTER) (4) (press shortly), ENTER (press shortly only in the MENU)**
- 5. SELECT – main display selection button (SELECT) (5):**
 - temperature (according to the menu and selected option)
 - water pressure (bar)
 - output (kW)
 - error messages (last error)
 - heating mode
- 6. 3-digit 7-segment LED display**
- 7. 7 LED indicators for the selected functions**



◆ Error indication

ERROR MESSAGES:

Error code	Type of defect
E.00	NO DEFECT
E.02	LOW PRESSURE (detected by the analogue pressure sensor)
E.03	BLOCKING FUNCTION
E.04	HEATING WATER (TOP) NTC TEMPERATURE SENSOR DEFECT
E.05	DHW (TUV) NTC TEMPERATURE SENSOR DEFECT
E.06	SAFETY THERMOSTAT (manual reset directly on the thermostat!)
E.07	OUTDOOR/ROOM TEMPERATURE SENSOR DEFECT
E.08	reserve
E.09	PRESSURE SENSOR DEFECT – analogous pressure sensor
E.10	COMMUNICATION PROBLEM
E.11	COMMUNICATION PROBLEM
-	past defects register (1–20)

Apart from the E.06 defect (emergency thermostat temperature becomes exceeded), all other defects shut down the boiler and bring it to the defect state (heating bars become disconnected) which is automatically revoked only after the defect has been removed. The boiler's operation is then automatically re-initiated.

Defect detected by the emergency thermostat is irreversible (the thermostat is equipped with manual reset function which can be used only by an authorized service worker after the defect has been properly detected and addressed).

◆ Menu parameters

It can be always selected (in the user menu by the diS / P3.2 parameter) whether the item is displayed in the **numerical format** (more suitable in foreign language versions of the automatic control system) or in the **mnemotechnical format** (closer to the Czech language).

M P R M R S			
Me	er	S R M	se s
Et1	P1.1	CURVE SLOPE AT BININ N.UTL = 0 (night moderation – disconnected)	1.6
Et2	P1.2	CURVE SHIFT 1	0
Et3	P1.3	CURVE SLOPE 2 AT BININ N.UTL = 1 (night moderation – connected)	1.6
Et4	P1.4	CURVE SHIFT 2	-5
ti1	P2.1	ROOM TEMPERATURE 1 AT BININ N.UTL = 0 (night moderation – disconnected) for rto=Prt	21
ti2	P2.2	ROOM TEMPERATURE 2 AT BININ N.UTL = 1 (night moderation – connected for rto=Prt	19
tdr	P2.3	DIFFERENCE – REGULATORY RANGE (PROPORTIONAL)	3
tdf	P2.4	DIFFERENCE – HYSTERESIS OFF/ON	0.5
GSE	P6.6	ALLOW GSM MODEM AUTOMAT. SENDING ERROR SMS	0 (NE)
diS	P3.2	DISPLAY TYPE FOR THE MENU	AbC

Mnemo format	Numerical format	S R M pe s M s per ed e ser e eer e r e rer
rto	P3.1	HEATING OPERATION MODE (tEr,EtE,Prt,otP,ot-)
rtU	P3.3	DHW (TUV) HEATING OPERATION MODE (temperature probe/thermostat)
to_	P3.4	LOWER LIMIT FOR THE HEATING WATER TEMPERATURE SETTING
to ⁻	P3.5	UPPER LIMIT FOR THE HEATING WATER TEMPERATURE SETTING
tU_	P3.6	LOWER LIMIT FOR THE DHW TEMPERATURE SETTING
tU ⁻	P3.7	UPPER LIMIT FOR DHW TEMPERATURE SETTING
FtL	P3.8	BINARY INPUT FUNCTION
PSt	P4.1	START OUTPUT
Pt ⁻	P4.2	MAX. OUTPUT DURING HEATING
PU ⁻	P4.3	MAX. OUTPUT DURING DHW HEATING
Ph ⁻	P4.4	MAX. OUTPUT WITHOUT MRC SIGNAL
P0 ⁻	P4.5	MAX. OUTPUT AT DISCONNECTED CONTACTS OF RELIEF RELAY 1 AND 2
P1 ⁻	P4.6	MAX. OUTPUT AT CONNECTED CONTACT OF RELIEF RELAY 1
P2 ⁻	P4.7	MAX. OUTPUT AT CONNECTED CONTACT OF RELIEF RELAY 2
P3 ⁻	P4.8	MAX. OUTPUT AT CONNECTED CONTACTS OF RELIEF RELAY 1 AND 2
tSt	P5.1	LIMIT OF THE REQUIRED VALUE OF TOP HOT-WATER OUTLET (to start heating)
ttU	P5.2	REQUIRED OUTLET TEMPERATURE DURING BOILER HEATING
bdF	P5.3	DIFFERENCE BETWEEN DHW HEATING ON/OFF
C_T	P5.4	TIME LIMIT FOR THE OUTPUT/TEMPERATURE AFTER HEATING START
dCt	P5.5	PUMP DECELERATION TIME AFTER HEATING IS FINISHED
dCU	P5.6	PUMP DECELERATION TIME AFTER DHW HEATING IS FINISHED
AF_	P5.7	SYSTEM ANTI-FREEZE PROTECTION
UP0	P5.8	PRESSURE SENSOR VOLTAGE AT P=0
UP4	P5.9	PRESSURE SENSOR VOLTAGE AT P=4
h.01-h.21		ERROR HISTORY DISPLAY
i.01-i.12		SERVICE AND DIAGNOSTIC INFORMATION
tYP	P6.1	BOILER TYPE SETTING
GSo	P6.3	ENABLE COMMUNICATION WITH GSM MODULE
Pn1	P6.4	FIRST GROUP OF TWO DIGITS PIN FOR GSM MODULE
Pn2	P6.5	SECOND GROUP OF TWO DIGITS PIN FOR GSM MODULE

7. □ BOILER CONTROL AND DISPLAY OF BASIC OPERATIONAL INFORMATION

(more detailed user instructions)

◆ Heating water temperature display

After its connection to the power network, the display shows heating water temperature in °C which is indicated by the pilot light °C above the **O/I (MENU)** button **(3)**. If any other variable is displayed at the moment (DHW temperature, output, error message etc.), pressing any of the buttons **▲** , **▼** **(1)** opens the heating water temperature dialogue.

In the case of sensor defect, the numerical data become replaced with dashes: **_ _ _** during disconnection or interruption of the sensor or wiring, **— — —** after short circuit on the sensor or wiring.

◆ Displaying and changing (setting) the desired temperature of heating water

If you press any of the **▲** , **▼** buttons **(1)** with the display showing the heating water temperature dialogue, you can display its desired value. Slow flashing of the °C pilot light above the **O/I (MENU)** button **(3)** shows the desired value. The currently valid desired temperature value according to the operational mode is displayed (e.g. calculated by means of the integrated equitherm regulator or integrated room thermostat by way of a communication line from the external regulator).

If you press any of the **▲** , **▼** buttons **(1)** with the display showing the desired heating water temperature, you can set the desired value. Faster flashing of the °C pilot light above button **3** indicates the setting process. The desired temperature value can be set by means of **▲** , **▼** buttons **(1)** within the range defined by **TO_** a **TO⁻** (**P3.4** a **P3.5**) items in the service menu. The set value does not need to be confirmed. The mode of setting the desired value terminates 15 seconds after any of the **▲** , **▼** buttons were last pressed **(1)**.

The set desired value is valid in the following situations:

- **rto** heating mode is set to **tEr** (**P3.1 = 1**) (control performed by contact of the external room thermostat),
- **rto** heating mode is set to **EtE** (**P3.1 = 2**) (equitherm regulation) but the outdoor temperature sensor defect has been reported,
- **rto** heating mode is set to **Prt** (**P3.1 = 3**) (integrated room thermostat) but the room temperature sensor defect has been reported,
- **rto** heating mode is set to **otP** or **ot-** (**P3.1 = 4 or 5**) (external OpenTherm protocol regulation) but communication has failed.

◆ DHW temperature display

If any other variable is displayed at the moment (heating water temperature, output, error message etc.), pressing any of the buttons **2** opens the DHW temperature dialogue. This display is indicated by the °C pilot light above button **4**.

In the case of sensor defect or absence, the numerical data become replaced with dashes: **_ _ _** during disconnection or interruption of the sensor or wiring, **— — —** after a short circuit on the sensor or wiring.

◆ Displaying and change (setting) of the desired DHW temperature value

If you press any of the **▲** , **▼** buttons **(2)** with the display showing the DHW temperature dialogue, you can set its desired value. The setting process is indicated by flashing of the °C pilot control above the **O/I (ENTER)** button **(4)**. You can set the desired temperature value by pressing the **▲** , **▼** button **(2)** within the range defined by the **TU_** a **TU⁻** (**P3.5** a **P3.6**) items of the service menu. The set value does not need to be confirmed. The setting mode for the required values terminates 15 seconds after any of the **▲** , **▼** **(2)** buttons has been last pressed.

The desired DHW temperature value can be set only if the rTU DHW heating mode is set to **b_c** (**P3.2 = 2**) (storage tank with the temperature sensor).

◆ Switching the heating on or off

The heating mode can be switched on or off by pressing the **O/I (MENU)** button **(3)**. The on-mode is signalled by the pilot light between **▲** , **▼** buttons **(1)**; the pilot light in the off-mode is turned off.

Heating can be switched on only if its operation is pre-set in the user menu; the **rto** item must be set to **tEr, EtE, Prt, otP** or **ot-** (**P3.1 = 1 – 5**).

◆ Switching the DHW heating on or off

The DHW heating mode can be switched on or off by pressing the **O/I (ENTER)** button **(4)**. The on-mode is signalled by the pilot light between **▲** , **▼** buttons **(2)**; the pilot light is off if the DHW is in the off-mode.

The DHW heating can be switched on only if its operation has been pre-set in the service menu; the **rtU** item must be set to **b_n** or **b_c** (**P3.3 = 1** or **2**).

◆ Displaying the outdoor/room temperatures

To display any other operational variables (except for the heating water and DHW temperatures), use the **(SELECT)** button **(5)**. If you press (or double press) it, the outdoor/room temperature display dialogue opens. This dialogue is indicated by the **IN/OUT °C** pilot light.

In the case of sensor defect or absence, the numerical data become replaced with dashes: **_ _ _** during disconnection or interruption of the sensor or wiring, **- - -** during short circuit of the sensor or wiring

The difference between displaying the room or outdoor temperature rests only in the location of the sensor. Shall the boiler operation be controlled on the basis of its data, the respective mode must be selected in the user menu:

- for **rto = EtE (P3.1 = 2)** (integrated equitherm regulation) outdoor sensor must be used,

- for **rto = Prt (P3.1 = 3)** (integrated room thermostat) sensor in the room of reference must be used.

If the sensor is connected but the boiler operation is not controlled on the basis of its data, these data are used at least for protecting the system against freezing.

◆ Displaying the heating system pressure

If you press (or double press) the **(SELECT)** button **(5)**, the system pressure dialogue opens. This display dialogue is indicated by the **bar** pilot light.

Minimum operation pressure of the system is 0.5 bar.

◆ Signal indication of the mass remote control (MRC)

The presence of the MRC signal is indicated by the **HDO (MRC)** pilot light. If it is turned on, it means that the full boiler input is allowed.

Reduction of the boiler input by way of MRC signal can be set in the service menu by means of the **Ph⁻ (P4.4)** item.

◆ Displaying the error messages

If you press (or double press) the **(SELECT)** button **(5)**, the error message dialogue opens. This display dialogue is indicated by the letter **E** in the first position of the digital display. If an error message is generated, it is displayed automatically. To display any other variable, press buttons **1, 2** and **5**.

If several simultaneous error messages occur, all of them are displayed (each for one roughly second): e.g.

E.02 – E.04 – E.05 – E.02 – E.04 – E.05 – ...

E.00 no defect

E.01 reserve

E.02 is low TOP water pressure in the heating system. Boiler operation is not possible in any mode. Water pressure measured by analogous pressure sensor is below 0.5 bar.

E.03 is a disconnection of the **blocking element 2**. Boiler operation is not possible in any mode.

E.04 is a defect on NTC sensor for the TOP heating water temperature. Boiler operation is not possible in any mode.

When the respective value is displayed, the lower dashes (_ _ _) are displayed in the case of disconnection or interruption of the sensor or its wiring, the upper dashes (- - -) if there is a short circuit on the sensor or its wiring.

E.05 is a defect of NTC sensor for DHW temperature. The boiler operation in the heating mode is possible, DHW heating is not possible in the **b_c** (storage tank with sensor) mode and it is possible in the **b_n** (storage tank with thermostat) mode. For further details see the **rtU** parameter for the operation of the DHW heating in the service menu.

If the respective temperature setting is selected, lower dashes (_ _ _) are displayed if the sensor or wiring have been disconnected or interrupted, upper dashes (- - -) are displayed for short circuit on the sensor or wiring.

E.06 defect – **emergency thermostat of TOP heating water temperature**. Boiler operation is not possible (only after a manual reset!).

E.07 is a defect of the NTC sensor for outdoor/room temperature. Boiler operation in the heating mode is possible. If, however, the **EtE** heating mode (equitherm regulation) or **Prt** (integrated room thermostat) are selected, the boiler automatically switches to the boiler thermostat mode (outlet water temperature control according to a value set by buttons **1**). DHW heating is possible in any of the modes.

If a respective display is selected, the lower dashes (_ _ _) are displayed if the sensor or wiring have become disconnected or interrupted, upper dashes (- - -) stand for short circuit on the sensor or wiring.

E.08 reserve

E.09 is a defect of the **TOP heating water pressure sensor** – analogous sensor. Boiler operation is not possible in any of the modes.

◆ Displaying the instantaneous boiler output

If you press (or double press) the **(SELECT)** button **(5)**, the display dialogue of the instantaneous boiler output opens. This dialogue is indicated by the letter P in the first position of the display. The output is shown in kW (**P.2.5** = 2.5 kW, **P.18** = 18 kW etc.).

8. □ USER MENU – LED DISPLAY WITH BUTTONS

◆ Accessing the user menu

To access the user menu, press the **O/I (MENU)** button **(3)** for more than 2 seconds. To move between the menu items, press the **▲** , **▼** buttons **(1)**. If you want to change the input values, press the **▲** , **▼** buttons **(2)**. The entered value in the menu must be confirmed by pressing the **O/I (ENTER)** button **(4)**. Exit the menu and data input by pressing the **O/I (MENU)** button **(3)**.

The menu item (the set variable) and its value display alternately (e.g. **Et1 – 1.6 – Et1 – 1.6...**). The menu item is displayed either by means of mnemotechnical texts (**Et1**) or numerical parameters (**P1.1**). The display mode is set in the menu by way of the **diS (P3.2)** item.

Group 1: Integrated equitherm regulation parameters

Equitherm regulation defines the desired value of heating water temperature depending on the outdoor temperature. The selection of parameters for the calculation depends on the specification of the binary **NU (night moderation)**.

If **NU** is disconnected, the following is true:

$$\text{the desired heating water temperature value} = (20 - \text{outdoor temperature}) * \text{Et1} + 20 + \text{ET2}$$

If **NU** is connected, the following is true:

$$\text{the desired value of heating water temperature} = (20 - \text{outdoor temperature}) * \text{Et3} + 20 + \text{ET4}$$

The desired outlet heating water temperature value is limited in the range between **to_ (P3.3)** and **to⁻ (P3.4)**.

Equitherm regulation always requires the connection of an outdoor temperature sensor and the heating mode setting of **rto = EtE (P3.1=2)**.

Et1 P1.1 Equitherm regulation parameter, curve slope. True for a disconnected **NU**.

The setting range falls between 0.1 .. 6.0, step of 0.1, leading value is 1.6.

Et2 P1.2 Equitherm regulation parameter, curve shift. True for a disconnected **NU**.

The setting range is -20°C .. +40°C, step of 1°C, leading value is 0.

Et3 P1.3 Equitherm regulation parameter, curve slope. True for a disconnected **NU**.

The setting range falls between 0.1 .. 6.0, step of 0.1, leading value is 1.6.

Et4 P1.4 Equitherm regulation parameter, curve shift. True for a connected **NU**.

The setting range falls between -20°C .. +40°C, step of 1°C, leading value is -5.

Group 2: Integrated room thermostat parameters

An integrated room thermostat can control heating operation according to the data from internal temperature sensor. It uses proportional control to set the outlet water temperature within the range defined by the **tdr (P2.3)** parameter:

- if **TM < ti1 - tdr (TM < P2.1 – P2.3)**, heating is controlled to reach the maximum heating water temperature **to⁻ (P3.4)**,

- if **TM > ti1 (TM > P2.1)**, heating is controlled to have the minimum heating water temperature **to_ (P3.3)**,

- if **ti1 - tdr < TM < ti1 (P2.1 – P2.3 < TM < P2.1)**, the desired heating water temperature is calculated by the interpolation between **to_** and **to⁻ (P3.3 a P3.4)**,

- if **TM > ti1 + tdf**, the heating is switched off completely.

The aforementioned is true if the **NU** binary input specification is “disconnected”. If the **NU** binary input specification is “connected”, a value of **ti2 (P2.2)** is used instead of **ti1 (P2.1)**.

ti1 P2.1 Desired value of the room temperature. True if **NM** is “disconnected”.

The setting range falls between 10 and 30°C, step of 1°C, leading value is 21°C.

ti2 P2.2 Desired value of the room temperature. True if **NM** is “connected”.

The setting range falls between 10 and 30°C, step of 1°C, leading value is 19°C.

tdr P2.3 Temperature range of room in which the proportional control of the desired outlet water temperature value takes place.

The setting range falls between 2 and 10°C, step of 1°C, leading value is 3°C.

tdF P2.4 Difference (hysteresis) between the shut-down and repeated initiation of heating when the desired room temperature has been exceeded.

The setting range falls between 0.25 and 2.50°C, step of 0.25°C, leading value is 0.5°C.

Complete heating shut-down occurs if the room temperature exceeds the set value by more than **tdF (P2.4)**. Heating is again switched on only when the room temperature drops below the set value.

Group 6: GSM communication

GSE P6.6 Enable automatic sending of fault SMS when a fault occurs

Settings: nO, Yes (0, 1), leading value is nO (0).

Parametr is shown in menu only if Adr = c.0 a GSO = Yes (Ano).

Group 3: Heating setting and display mode

rtO P3.1 Heating mode (TOP) (inside service menu)

The boiler operation is conditioned by the connection of the external room thermostat **PT** terminals at all possible settings. If the thermostat is not used at all, it is necessary to create a permanent connection between the **PT** terminals.

Settings options:

- **0** Heating switched off. It is not possible to switch it on even by means of button **3**. Anti-freeze protection is active.
- tEr 1** Heating is controlled by the external room thermostat contact and the outlet water temperature is set by buttons **1**.
- EtE 2** Heating is controlled by integrated equitherm regulator. Outdoor temperature sensor must be connected.
In the case of a defective sensor or if it is not connected, the boiler is controlled in the **tEr (like at P3.1 = 1)** mode.
- Prt 3** Heating is controlled by integrated room thermostat. The room temperature sensor must be connected.
In the case of a defective sensor or if it is not connected, the boiler is controlled in the **tEr (like at P3.1 = 1)** mode.
- otP 4** Heating is controlled by external regulator which is connected by way of the OpenTherm Plus interface.
In the case of defective communication or regulator, the boiler is controlled in the **tEr (like at P3.1 = 1)** mode.
- ot- 5** Heating is controlled by external regulator which is connected by way of the OpenTherm Lite interface.
In the case of defective communication or regulator, the boiler is controlled in the **tEr (like at P3.1 = 1)** mode.

diS P3.2 Menu display type (mnemotechnical texts/numerical parameters)

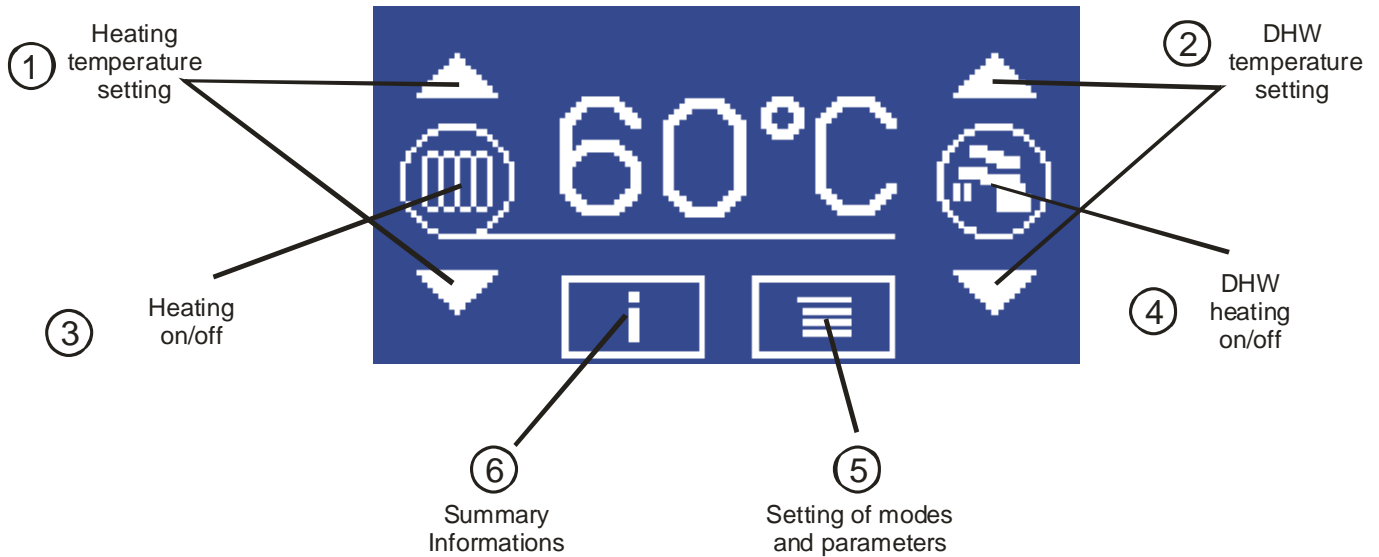
Settings options:

diS = 012, AbC (P3.2 = 0, 1), leading value AbC (1).

9. □ BOILER OPERATION – GRAPHIC TOUCH DISPLAY

◆ Description of control

The control panel enables the simple intuitive control and display of the function of the boiler.
The control of the control system is performed by finger touch on the indicated parts of the display.



◆ Change of the style of the display

By pressing the touch display in the centre of the upper part (see Fig.) it is possible to change the style of the display. There are four variants of display in total. It is possible to **ON** or **OFF** the backlight. At the same time, it is possible to select between **traditional** or **inverse** display of the display.

Change of backlighting



◆ Basic display

After activation of the boiler the logo of the producer is briefly displayed. Then the basic screen is displayed. Its content differs depending on which heating of service water is used (DHW):



BASIC SCREEN (WITHOUT HEATING OF DHW)



STORAGE TANK WITH DHW WITH THERMOSTAT



STORAGE TANK FOR DHW WITH TEMPERATURE SENSOR

In the centre of the display is the temperature of the heating water in °C, which is indicated by the linkage of the underlying value of the temperature with the heating symbol on the left side.

Elements on the right side of the display – symbol of the tap (DHW), or arrow for setting the DHW temperature are displayed depending on the adjusted regime of DHW heating in the service menu.

In the case of the failure of the thermal sensor of the heating water, question marks are displayed instead of a numeric value. -?? during the disconnection or interruption of the sensor or supply, ?? in the case of a short circuit of the sensor or the inlets.

◆ Activation and deactivation of heating

In the left part of the display are three control elements: the symbol for heating (radiator) and the arrows for setting the requested value of the temperature of the heating water. .

The heating regime can be activated and deactivated by pressing the heating symbol. The activated status is signalled by the symbol of a radiator in a wheel; **in the disconnected status the radiator is crossed.**



HEATING ACTIVATED

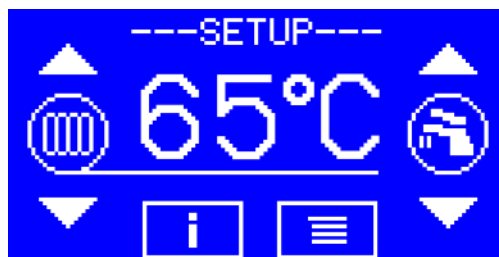


HEATING DEACTIVATED

The heating can only be activated in the case that in the pre-set operation in the user menu, the **HEATING REGIME** item is set for some of values: **THERMOSTAT, EKVITHERM, ROOM THERMOSTAT, OT/+, OT/-.**

◆ Change (the setting) of the required value of the temperature of the heating water

Press some arrows on the left side of the display at the time when on the display the temperature of the heating water is displayed and set the required values. The regime for setting the required value is signalled by the text – SETTING – in the upper part of the display.



SETTING THE REQUIRED VALUE OF THE TEMPERATURE OF THE HEATING WATER

The value of the temperature can be changed using the buttons with arrows within the range stated by the items **LOWER LIMIT FOR SETTING THE HEATING WATER** and **UPPER LIMIT FOR SETTING THE HEATING WATER** in the service menu. It is not necessary to confirm the adjusted value. The regime for setting the required value is terminated within 15 seconds after the last pressing of a button.

Such adjusted required temperatures are valid in the following cases:

- the heating regime (item **HEATING MODE** in the user menu) is set for **THERMOSTAT** (boiler thermostat) and external regulator OT/+ is not connected,
- the heating regime is set for **EKVITERM** (equitherm regulation), and any error in the ambient temperature sensor is reported (**E.07**) and the external regulator is not connected OT/+,
- the heating regime is set for **ROOM THERM.** (built-in room thermostat), although the error in the room temperature sensor is reported (**E.07**) and the external regulator is not connected OT/+,
- the regime is set for **OT/+** or **OT/-** (external regulator with OpenTherm protocol), although the external regulator is not connected OT/+, **OT/-**.

◆ Activation/deactivation of heating the service water

The regime for the heating of DHW can be activated and deactivated by pressing the symbol with the water tap. The activated status is signalled by the symbol of the tap in the wheel, in the disconnected status the tap is crossed.



HEATING OF DHW ON



HEATING OF DHW OFF

The heating of DHW can be activated in the case where the operation is pre-set in the service menu, the item **HEATING MODE OF DHW** is set for **THERMOSTAT** or **SENSOR**.

◆ Switching of the display of the heating water temperature and the hot service water temperature

If the heating water temperature is displayed, it is possible to switch to the display of the temperature of DHW by pressing any arrow on the right side of the display or by touching the displayed temperature. The display of the temperature of DHW is indicated by the linkage of the underlined temperature data and the symbol of the tap on the right.

On the contrary, if the temperature of DHW is displayed, it is possible to switch to the display of the heating water

temperature by pressing any arrow on the left side of the display or by touching the displayed temperature. The display of the heating water temperature is indicated by the linkage of the underlined temperature data and the heating symbol on the left side.



DISPLAY OF HEATING WATER TEMPERATURE



DISPLAY OF DHW TEMPERATURE

In the case of failure or absence of a thermal sensor, question marks are displayed instead of a numeric value. -?? during the disconnection or interruption of the sensor or the supply, ?? in the case of a short circuit of the sensor or inlets. This is valid only in the case of the **DHW SENSOR** heating regime. In other cases, during the failure of the sensor of the DHW temperature, it is not possible to switch the display to display this.

◆ Change (setting) of the required value of the hot service water temperature

Press any arrow on the right side of the display in the time when on the display the DHW temperature is displayed to display and set the required values. The regime for setting is signalled by the text – SETUP – in the upper part of the display.



SETTING THE REQUIRED VALUE OF THE DHW TEMPERATURE

It is possible to change the value of the required temperature by the buttons with arrows within the range stated by the items DHW TEMP. SETTING – LOWER LIMIT and DHW TEMP. SETTING – UPPER LIMIT in the service menu. It is not necessary to confirm the adjusted value. The regime for setting the required value is terminated within 15 seconds after the last pressing of any arrow.

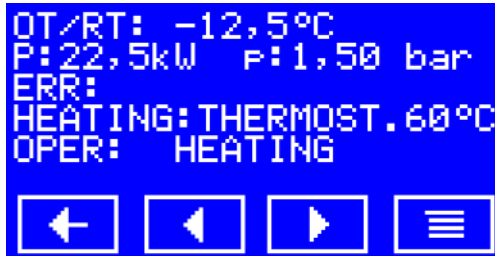
The required temperature of DHW can be set only in the case that the regime for the operation of heating of DHW (item **DHW HEATING MODE** in the service menu) is set for **SENSOR** (storage tank with temperature sensor).

◆ 1. info screen - Display of the operating status of the boiler and failures



BUTTON FOR SWITCH TO 1. INFO SCREEN

The information screen has four buttons in its lower part:



**RETURN – PREVIOUS – NEXT – MENU
BUTTONS IN THE 1. INFO SCREEN**

- RETURN** – return to home screen,
- PREVIOUS** – move to the previous screen,
- NEXT** – move to the next info screen,
- MENU** – enter user menu.

Data on the first info screen:



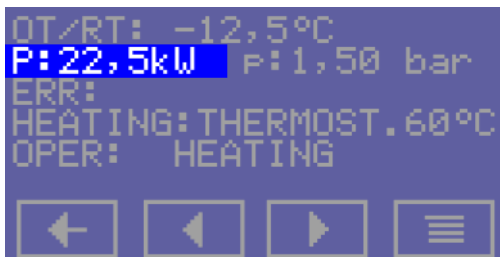
OT/RT: OUTDOOR TEMPERATURE / ROOM TEMPERATURE

In the case of failure or absence of the sensor, question marks will appear instead of a numeric value :-??? in the case of the disconnection or interruption of the sensor or inlets, ??? in the case of short circuit of the sensor or inlets.

This only depends on the location of the sensor and whether it concerns the display of room temperature or ambient temperature. If on the basis of data the operation of the boiler is to be controlled, the respective regime must be set in the user menu:

- for heating regime **OTC** (built-in equitherm regulation) an external sensor must be used,
- for heating regime = **ROOM THERMOSTAT** (room spatial thermostat) a sensor in the characteristic room must be used.

If the sensor is connected but the operation of the boiler is not controlled on the basis of its data, this data is used as a minimum for the anti-freeze protection of the system.



P: INST. POWER OF THE BOILER



p: PRESSURE IN THE HEATING SYSTEM



No.: FAILURE STATUSES

If the failure status exists, it is signalled by flashing text as follows:

1 RELAY CONTACT failure of the power relay contact – not used

2 LOW PRESSURE low water pressure in the heating system.

Water pressure measured by the analogue pressure sensor is lower than 0.5 bar.

3 BLOCKADE 2 the contact for blockage 2 is disconnected

4 THERMAL SENSOR TOP failure of the thermal sensor for the heating water. The operation of the boiler is not possible in any regime.

During selection of the respective display of temperature, question marks are displayed on the display (-??) in the case of disconnection or interruption of the sensor or inlets, (??) in the case of a short circuit of the sensor or inlets.

5 THERMAL SENSOR DHW failure of the sensor of the DHW temperature. The operation of the boiler in the heating regime is possible, the heating of DHW is not possible in the **SENSOR** regime (storage tank with the sensor), only the **THERMOSTAT** regime is possible (storage tank with thermostat).

During selection of the respective temperature display, question marks are displayed on the display (??) in the case of disconnection or interruption of the sensor or inlets, (-??) in the case of the short circuit of the sensor or inlets.

6 EMERGENCY THERMOSTAT contact for the emergency thermostat is disconnected (the intervention of a service technician is necessary).

7 THERMAL SENSOR TV/TM failure of the ambient temperature / room temperature sensor. The operation of the boiler in the heating regime is possible. If the **OTC** heating regime is selected (equitherm regulation) or **ROOM THERMOSTAT** (built-in room thermostat), the boiler will automatically switch into the boiler thermostat regime (control of the temperature of the output water according to the value adjusted for the boiler thermostat). Heating of DHW is possible in any regime.

During selection of the respective display of temperature, question marks are displayed on the display (???) in the case of disconnection or interruption of the sensor or inlets, (-???) in the case of a short circuit of the sensor or inlets.

9 PRESSURE SENSOR failure of the analogue pressure sensor. The operation of the boiler is not possible.



HEATING: ACTUAL REGIME OF THE HEATING OPERATION

The displayed regime is the actual one. It takes into consideration the advantage of external regulator OT/+ and any failure of the TV/TM sensor.

Some of the following texts are displayed:

- OFF
- THERMOSTAT
- OTC
- ROOM TH.
- OT/+
- OT/-
- CAS. SLAVE



OPERATION: ACTUAL OPERATING REGIME OF THE BOILER

Possibilities are:

- OFF
- HEATING
- DHW HEAT.
- ANTIFREEZ.

◆ 2. info screen – Display of the status of the binary inputs and GSM module



BUTTONS FOR MOVING BETWEEN INFO SCREENS

The second screen contains information about the status of the binary inputs.



2. INFO SCREEN

The 0 behind the respective abbreviation means input without voltage (disconnected contact); number 1 means input under voltage (connected contact).

Abbreviations

RT	(PT in Czech)	room thermostat
DT	(BT)	boiler thermostat (external storage tank for DHW)
MRC	(HDO)	mass remote control (lower rate for two-rate electric meter)
RR1	(OR1)	input for releasing relay 1
RR2	(OR2)	input for releasing relay 2
NM	(NU)	night damping
LS	(HT)	emergency thermostat
LS2	(BL2)	blockage 2
TL	(TL)	binary input

If the boiler is fitted with a GSM module and communication with this module is enabled in this menu, on the 2. info screen there is line with the status of the module.

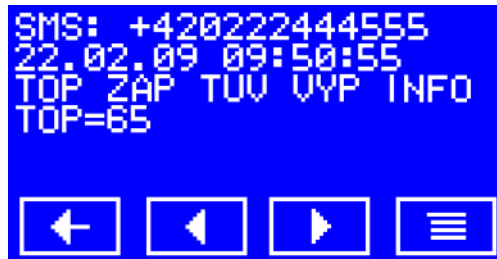


2. INFO SCREEN WITH GSM MODULE INFORMATION

Possible GSM module statuses are:

MODULE SEARCH	after activation the board attempts to automatically establish connection with the GSM module
INITIALIZATION	configuration of found module, login into the operator network
BLOCKED	login into the network of the operator failed – SIM card is not inserted or incorrectly typed PIN
READY	the module is logged into the operator network, monitors incoming calls (ringing out), regularly transfers to checking incoming SMS
SENDS SMS	sending of SMS either for ringing out to a known telephone number or after receipt of an SMS with request for reply
CHECKING SMS	regular checking of incoming SMS

At the end of the status line (if the module is correctly logged into the operator network) there is the icon indicating **the level of the signal**. Only in the case of permitted communication with the GSM module is it possible to transfer using the arrow to the right to **3. info screen**, where it is possible to find information on the last received SMS regarding the last ringing out.



3. INFO SCREEN FOR LAST DELIVERED SMS

If a delivered message is longer than the screen, the rest of the message can be displayed on the next screen. It is possible to switch to the basic screen by pressing the return button.



BUTTON TO RETURN TO THE HOME SCREEN

After four minutes without pressing any buttons there is automatic switching to the home page.

10. USER MENU – TOUCH DISPLAY

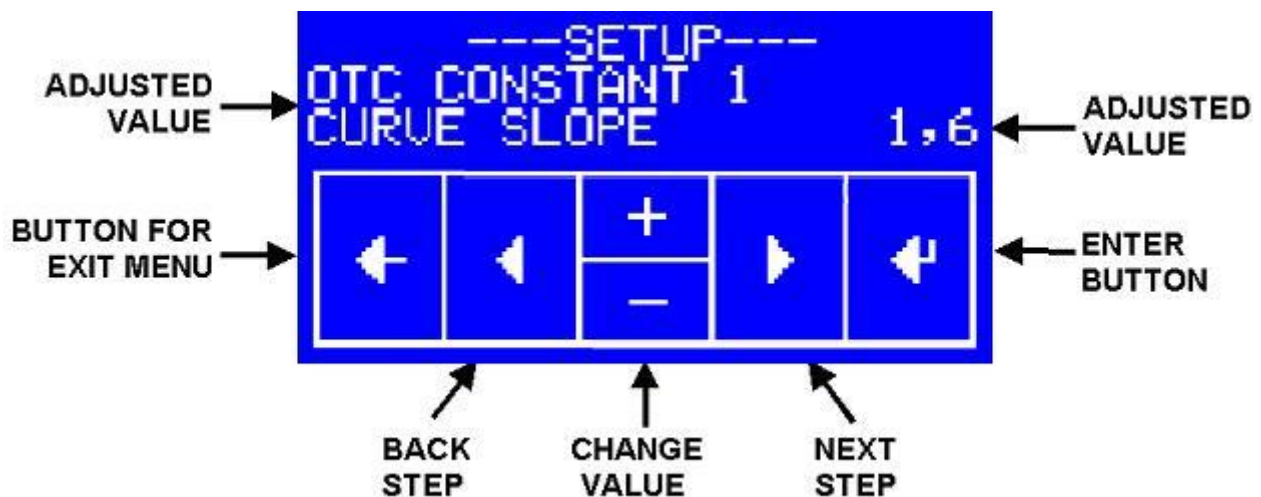
BUTTON FOR OPENING THE USER MENU



FROM HOME SCREEN



FROM INFO SCREEN



USER MENU SCREEN

It is possible to move between the menu items using the PREVIOUS and NEXT buttons. Use + and – to change the typed value. It is necessary to confirm the typed value in the menu with the CONFIRM button. Press the button for LEAVING MENU to leave the menu and terminate typing.

The adjusted value flashes on the display.

Some items of user menu are displayed conditionally – depending on setting of other items.

◆ User menu items

Group 1 Parameters of equithermal regulation

Equithermal regulation states the required value of the temperature of the heating water depending on the ambient temperature. The selection of parameters for the calculation depends on the status of binary input NU.

For NM (NU) disconnected, it is valid:

Engaged value of the temperature of heating water = (20 – Outdoor temperature) * EQUITHERM CONSTANT 1 + 20 + EQUITHERM CONSTANT 2

For NM (NU) connected, it is valid:

Engaged value of the temperature of heating water = (20 – Outdoor temperature) * EQUITHERM CONSTANT 3 + 20 + EQUITHERM CONSTANT 4

The required value of the temperature of the output water is restricted concerning the range stated by the items **HEATING WATER SETTING – LOWER LIMIT** and **HEATING WATER LIMIT – UPPER LIMIT** of service menu.

The equitherm regulation requires the connection of an external sensor for the temperature of the service water; the heating must be set for **OTC**.

The equitherm regulation parameters are displayed in the user menu only in the case where the heating regime is set for **OTC**.

OTC CONSTANT 1 CURVE SLOPE

Parameter of equitherm regulation, declination of the curve. Valid for **NM (NU)** disconnected.
The range of setting 0.1 .. 6.0, step 0,1, initial value 1.6.

OTC CONSTANT 2 CURVE SHIFT [°C]

Parameter of equitherm regulation, shift of the curve. Valid for **NM (NU)** disconnected.
The range of setting is -20°C .. +40°C, step 1°C, initial value 0.

OTC CONSTANT 3 CURVE SLOPE

Parameter of equitherm regulation, declination of the curve. Valid for **NM (NU)** connected.
The range of setting is 0.1 .. 6.0, step 0,1, initial value 1.6.

OTC CONSTANT 4 CURVE SHIFT [°C]

Parameter of equitherm regulation, shift of the curve. Valid for **NM (NU)** connected.
The range of setting is -20°C .. +40°C, step 1°C, initial value -5.

Group 2 Parameters of the built-in room thermostat

The built-in room thermostat can regulate heating according to the internal temperature sensor. Within the scope of temperatures stated by the parameter **ROOM THERMOSTAT REGUL. RANGE** proportional control is used for setting the temperature of the output water:

- for $RT (TM) < \text{ROOM TEMPERATURE 1} - \text{ROOM THERMOSTAT REGUL. RANGE}$ the heating is for the maximum temperature of heating water **HEATING WATER LIMIT – UPPER LIMIT**,
- for $RT (TM) > \text{ROOM TEMPERATURE 1}$ the heating is for the maximum temperature of heating water **HEATING WATER LIMIT – LOWER LIMIT**,
- for $\text{ROOM TEMPERATURE 1} - \text{ROOM THERMOSTAT REGUL. RANGE} < RT (TM) < \text{ROOM TEMPERATURE 1}$ the required value of heating water is calculated by interpolation between the values of the **HEATING WATER LIMIT – LOWER LIMIT** and **HEATING WATER LIMIT – UPPER LIMIT**,
- for $RT (TM) > \text{ROOM TEMPERATURE 1} + \text{ROOM THERMOSTAT HYSTERESIS}$ the heating is disconnected fully.

The above mentioned statement is valid for the status of binary input **NM (NU)** disconnected. For the status **NM (NU)** connect, the **ROOM TEMPERATURE 2** is used instead of the **ROOM TEMPERATURE 1**.

The built in room thermostat requires the connection of the internal temperature sensor **RT (TM)**, the heating regime must be set for **ROOM TH**.

The parameters of the room thermostat are displayed in the user menu only in the case where the heating regime is set for **ROOM TH**.

ROOM TEMPERATURE 1

NM OFF [°C]

Required value of temperature of the room Valid for **NU** disconnected.

The range of setting is 10 to 30°C, step 0.25°C, initial value 21°C.

ROOM TEMPERATURE 2

NM OFF [°C]

Required value of temperature of the room Valid for **NU** connected.

The range of setting is 10 to 30°C, step 0.25°C, initial value 19°C.

ROOM THERMOSTAT

REGUL. RANGE [°C]

Range of temperatures of the room in which the proportional control of the required value of the temperature of output water is carried out.

The range of setting is 2 to 10°C, step 1°C, initial value 3°C.

ROOM THERMOSTAT

HYSTERESIS [°C]

The difference (hysteresis) between the disconnection of heating and re-connection exceeding the temperature of the room.

The range of setting is 0.25 to 2.50°C, step 0.25°C, initial value 0.5°C.

The full disconnection of heating in the case where the temperature of the room exceeds the adjusted value by more than the set value. The re-connection of the heating is in the case where the temperature of the room decreases below the set value **ROOM TEMPERATURE 1 (2)**.

Group 3 Regime of the operation of heating and the language on the display (inside service menu)

HEATING MODE

Heating mode

For all possible settings the operation of the boiler is conditioned by the connection of terminals **PT** for the external room thermostat. If it is not used at all, it is necessary to permanently link terminals **PT**.

Options for setting the heating regime:

- OFF** Heating disconnected, it is not possible to activate it even by using the button with the symbol of heating on the main screen. The anti-freeze protection is active.
- THERMOST.** The heating is controlled by the contact for the external room thermostat, the temperature of the output water is set by means of buttons on the main screen (boiler thermostat).
- OTC** The heating is controlled by the built-in equitherm regulator. The ambient temperature sensor must be connected.
In the case of failure or if it is not connected, the boiler is controlled in the THERMOSTAT regime.
- ROOM TH.** The heating is controlled by the built-in room thermostat. The temperature sensor in the room must be connected.
In the case of failure or if it is not connected, the boiler is controlled in the THERMOSTAT regime.
- OT/+** The heating is controlled by an external regulator which is connected by means of the OpenTherm Plus interface.
In the case of failure of communication or the regulator, the boiler is controlled in the **THERMOSTAT** regime.
- OT/-** The heating is controlled by a regulator which is connected by means of the OpenTherm Lite interface.
In the case of failure of communication or the regulator the boiler is controlled in the **THERMOSTAT** regime.

LANGUAGE Language of the menu on the display The following languages are available: Czech, Slovak, English, Russian and German. Moreover, the “language of abbreviations” is used which is well known for technicians from versions with the LED display (EL 8–45).

◆ Indications of failures and parameters of the menu

Possible failures are displayed directly on the display. Codes for failures and menu parameters remain identical to boilers with LED displays (see the description of the service of boilers with an LED display).

11. □ SPECIAL BOILER FUNCTIONS

◆ Protection against overheating of the boiler

If the temperature of the output water measured by the heating water sensor is higher than 80°C at the time when the boiler is out of operation, the circulation pump of the boiler is activated. The pump is disconnected in the case of a decrease of temperature below 76°C.

If the temperature of the output water measured by the heating water sensor is higher than 85°C, all heating bars are disconnected.

If the temperature of the output water measured by the heating water sensor is higher than 87°C, the contactor of the boiler is disconnected.

◆ Protection against freezing of the boiler

If the temperature of the heating water decreases below 8°C, the circulation pump for heating is activated and the boiler heats up. The heating is disconnected when the temperature of the heating water exceeds 20°C. If the output restricted to 0 is enabled, the boiler does not respect this restriction and heats with one heating body.

◆ Automatic setting of restriction of output without signal

For the simplification of the commissioning of the boiler (without the necessity to take care of the use of signal HDO) the following algorithm is programmed in the automated system:

- the initial value of restriction without the signal HDO (P4.4) = maximum output of the boiler (factory setting),
- after first activation of the automatic system and always after returning to the factory setting, the circuit breaker is activated which enables to make one automatic change to parameter P4.4,
- this circuit breaker is deactivated:
 - 1) either by the change/confirmation of parameter P4.4 by the setting in the menu (after confirm. by button 4),
 - 2) or by automatically changing parameter P4.4 according to the following point.
- after the first supply of active signal HDO for a period of at least ten seconds (non-stop) parameter P4.4 is rewritten to the zero value. Parameter P4.4 is rewritten only in the case that the circuit breaker is activated; after rewriting the circuit breaker is deactivated.

◆ Priority control of the boiler of regulator OT/+

If regulator OT/+ is connected to the automation system, its commands take priority against the adjusted regime of heating. The exception is if the adjusted regime is disconnected. The adjusted heating regime is applied during the failure of the regulator or in the case that the regulator is not connected. In the following table is the summary of the heating regimes in individual situations.

regime	heating regime, if OT/+ is not connected or has an error	heating regime, if OT/+ is connected	transfer of TV/TM through OT/+	report of failure of the TV/TM sensor on the display and through OT/+
---	OFF	OFF	Yes	No
tEr	boiler mechanism	OT/+	Yes	No
EtE	built-in equitherm	OT/+	Yes	Yes
Prt	built-in room thermostat	OT/+	No	display yes, OT/+ no
Ot+	boiler mechanism	OT/+	Yes	Yes
Ot-	boiler mechanism	boiler mechanism	No	No

12. HIDDEN BUTTONS ON THE TOUCH DISPLAY

- 1) Home screen and display saver – the whole area of the display. Transfer to basic display.
- 2) Basic display – on the up in the middle of the display. Change of manner of display – high/damped backlit, option blue on white or white on blue.
- 3) Info screen – on the up in the middle of the display. Transfer to the display of service information (firmware, lower sensor of temperature in the storage tank of DHW, optical inputs, etc.)
- 4) N/A
- 5) Screen with service information – the whole area of the display. Return to info display
- 6) Screen with menu – slightly above the centre (height) on the right edge of the display, approximately on the typed value.

Further options:

- during the display of menu item LANGUAGE prolongation of the basic menu to service menu,
- during the display of menu item ERROR HISTORY, value 20 – DELETE deletion of error history,
- during the display of menu item TYPE OF BOILER returning to the factory setting for the service menu items,

13. PUTTING THE BOILER INTO OPERATION

Service engineer with authorization from the manufacturer is obliged to make a verifiable demonstration for the user of the boiler operation, its individual parts, safety components and control methods prior to putting the boiler into operation and fill in the letter of guarantee and hand over this Operation and Maintenance Manual to the user.

User is bound to observe the correct use of the boiler in accordance with this Manual; this is a basic precondition for acknowledgement of the warranty. It is further strictly forbidden to interfere with any of the sealed parts inside the boiler!

Warning:

The settings of the boiler output range and other parameters must be in compliance with the technical data. Any excess loads or incorrect use of the boiler can cause damage to its components. Warranty does not apply to the components which suffer this kind of damage!

◆ **General instructions:**

The following must be checked before the electric boiler is set into operation:

- connection to the heating system
- opening of the fittings separating the electric boiler from the system and securing them against manipulation
- charging (may be followed by pressurizing) the system by soft water and subsequent bleeding
- electric connection and protection in line with the CSN standards. For further details refer to the Chapter “Wall-mounting of the boiler”.

The procedure for setting the boiler into operation is as follows:

- switch on the main circuit breaker (switch) in the power intake, switch on the boiler by pressing the O/I button for heating actuation
- set the desired outlet boiler temperature to maximum
- check the correct functioning of all safety thermostats and control components
- check the settings of the boiler output range, potentially adjust the settings on the basis of the heated building.

Electric boiler operation is very simple and fast and does not require any special qualification. **The boiler can be nevertheless controlled only by adults who have been demonstrably explained the boiler function and operation.** This demonstration must be performed by the worker who carried out the installation and set the boiler into operation.

- If the display is turned on, the control supply voltage is fed to the boiler.
- Set the room thermostat (or other control element) to the required temperature.
- Display the current heating water temperature by pressing the Arrow Up button. To switch on the boiler press the O/I button in the heating temperature setting section. Concurrently, the circular pump is switched on which runs for the period defined by the set parameters. The heating function is indicated by the LED pilot light in the left section of the control panel = “HEATING”.
- After the set temperature has been reached, the automatic controlling system gradually switches off the heating bodies in order to maintain the heating water temperature within the range specified by the parameters.
- First heating: maintain the highest possible service temperature of the heating medium in the system for the first four hours. The system must be carefully deaerated while in operation to rid it reliably off the remaining air after the previous bleeding in the cold state. When the system cools down, refill it with water.

- If a power outage (or MRC signal interruption) occurs, the boiler is shut down. When the power supply is renewed, the electric boiler restarts its operation.
- No objects can be placed on the jacketing or inside the electric boiler. Cleaning of the electric boiler external surface is recommended only by a damp cloth.
- It is recommended to bleed the heating system regularly and remove the deposited impurities by discharging small amounts of the liquid through the discharge cock assuring that also sediments at the bottom of the boiler vessel are washed out.
- Switch off the boiler after the end of the heating season by the circuit breaker. It is recommended to start the boiler for roughly 30 seconds every month to spin the pump outside the heating season.
- Minimum water pressure at the circular pump inlet must be 5 kPa (the water temperature must not exceed 75°C).
- Check whether the air charge pressure specified on the expansion vessel label is sufficient for the heating system (system static height of 5 m corresponds to the air charge pressure of 50 kPa, 10 m = 100 kPa, 15 m = 150 kPa) prior to the boiler connection to the heating system.

Setting the pressure in the expansion vessel

When the system is filled with the heat carrier and properly vented, write down the displayed system water pressure value. Correct the air charge pressure in the expansion vessel to the same value by bleeding. Adjust the system pressure value to at least 10 kPa by filling more water into the system. If the air charge pressure in the expansion vessel is not correctly adjusted, similar defects – big changes in pressure during operation – occur as in the case of an insufficiently rated expansion vessel.

◆ Maintenance

Regular maintenance is very important for a reliable operation and high durability of the boiler and its components. The user is recommended to contact the manufacturer via a local authorized service organization and ensure regular inspections after every year of operation (which is one of the conditions for warranty acknowledgement). Service engineer will also carry out an inspection of the control and safety elements of the boiler. To safeguard faultless heating system service, it is necessary to regularly check the initial water pressure in the cold state. Shall any drop in pressure occur, the heating system must be replenished with water.

The outer jacketing can be cleaned by a dishcloth dipped in soap-suds and subsequently dried.

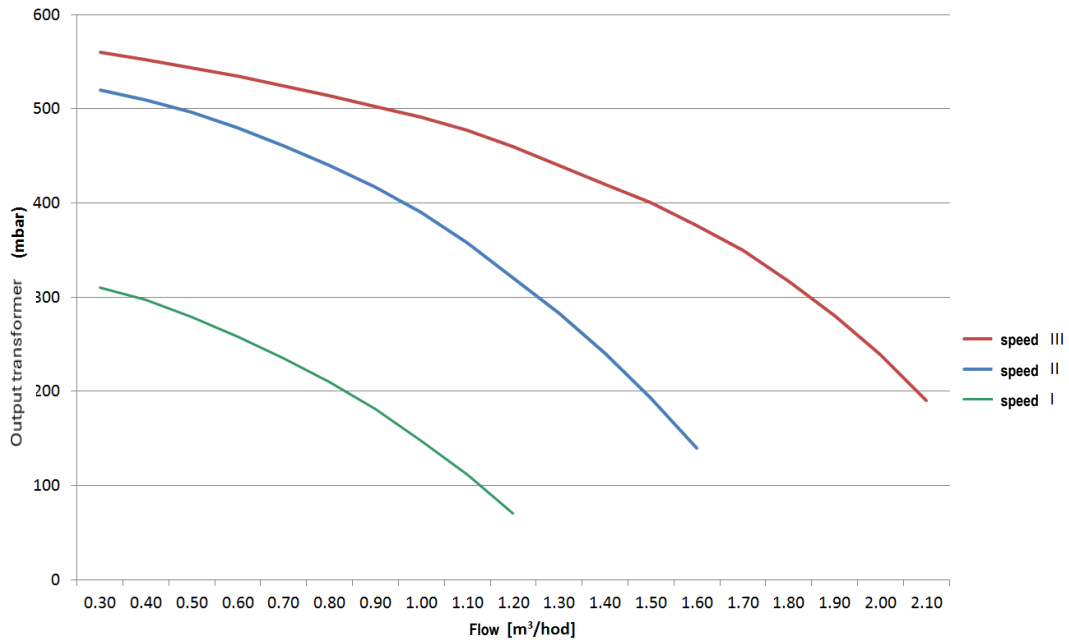
◆ Boiler shut-down

You can switch off the boiler for a shorter period by pressing the 0/1 button or potentially by the room thermostat switch. If you want to shut the boiler down for an extended period of time outside the heating season (i.e. during summer holiday), it is suitable to switch off the boiler by the external main circuit-breaker (switch) unless there is a potential risk of system freezing or pump clogging (these functions are naturally not available during the complete boiler shut-down).

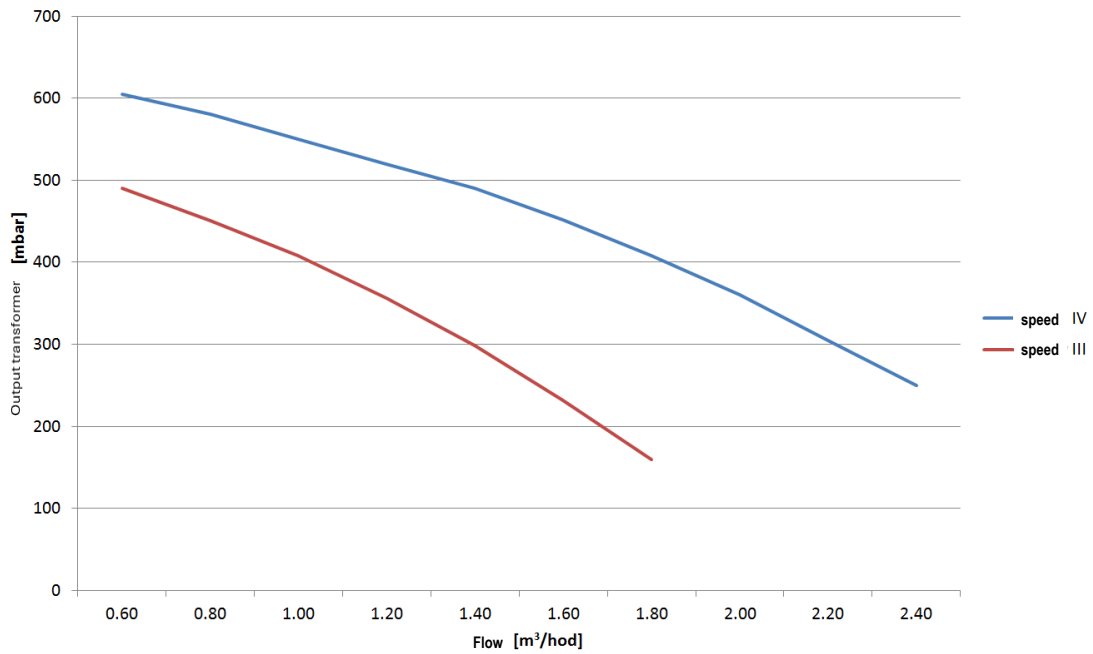
14. DIAGRAM FOR SERVICEABLE CONNECTING CHARGE PRESSURES OF HEATING WATER

Warning: The curves of serviceable charge pressures of heating water are calculated for pumps to the highest regulation grade.

Therm EL 5, 8, 9, 14, 15, 23



Therm EL 30, 38, 45

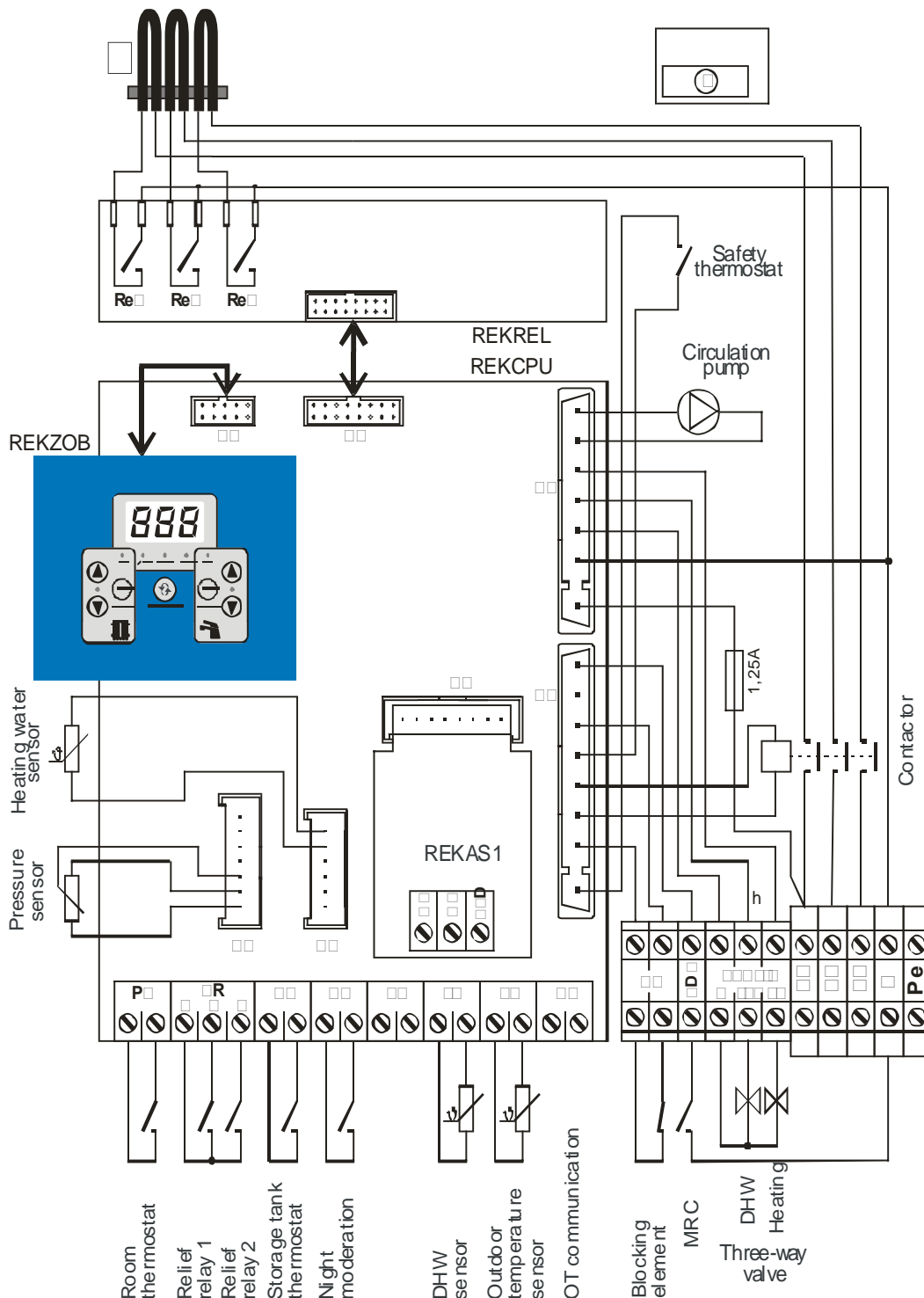


◆ Min. flow at thermal gradient 20°C

Therm 5 EL	0.25	m³/hod	Therm 23 EL	1.05	m³/hod
Therm 8 EL	0.35	m³/hod	Therm 30 EL	1.35	m³/hod
Therm 9 EL	0.45	m³/hod	Therm 38 EL	1.70	m³/hod
Therm 14 EL	0.65	m³/hod	Therm 45 EL	2.00	m³/hod
Therm 15 EL	0.70	m³/hod			

15. FHEL BOILERS CONNECTION TO THE POWER SUPPLY

◆ FHEL 8 boiler connection to the power supply



Contact functions:

- 1/ contacts of the Room thermostat must be permanently connected during the boiler operation
- 2/ contacts of the “blocking element” must be permanently connected during the boiler operation
- 3/ contacts of the Emergency thermostat must be constantly connected during the boiler operation
- 4/ if the storage tank Thermostat is connected, the boiler heats the DHW in the storage tank

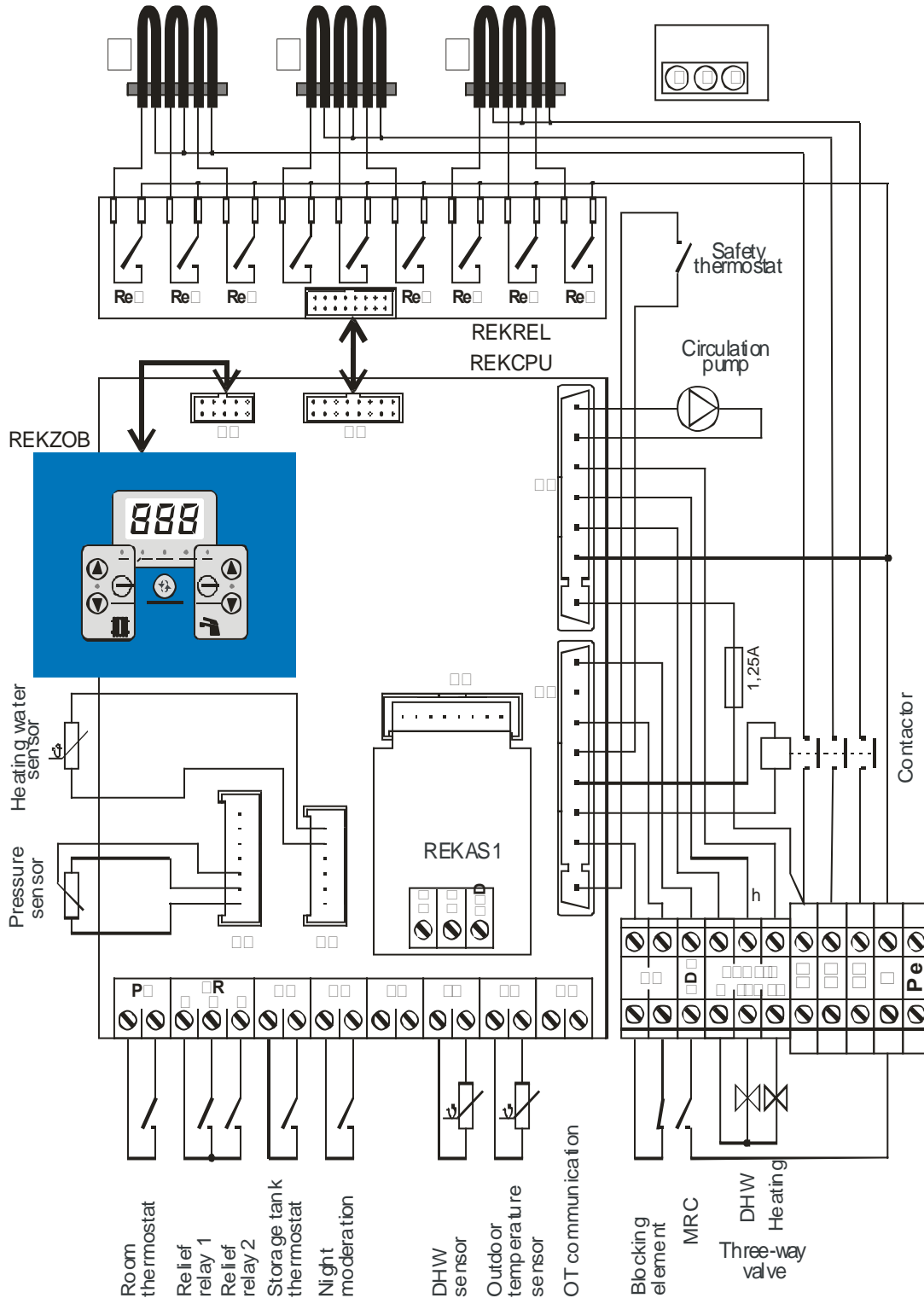
Please note – any connections made to the room thermostat (PT) must be volt free, use a volt free contact / switch if your thermostat or controller has voltage from it.

If your controller is our “OpenTherm” type “PT59X”, then this connects directly to the “OT Communication” terminal & the “PT” terminal must be linked together. You can then set the parameter “P3.1” to “tEr 1”.

Note – The PT59X is the only OpenTherm controller which uses the exact OT protocol for our units.

If connecting a standard on /off thermostat fitted to most indirect cylinders - then you wire this into the “BT” connection - if you use our NTC thermistor probe then this is wired into the “TB” connection

◆ FHEL 23 boiler connection to the power supply

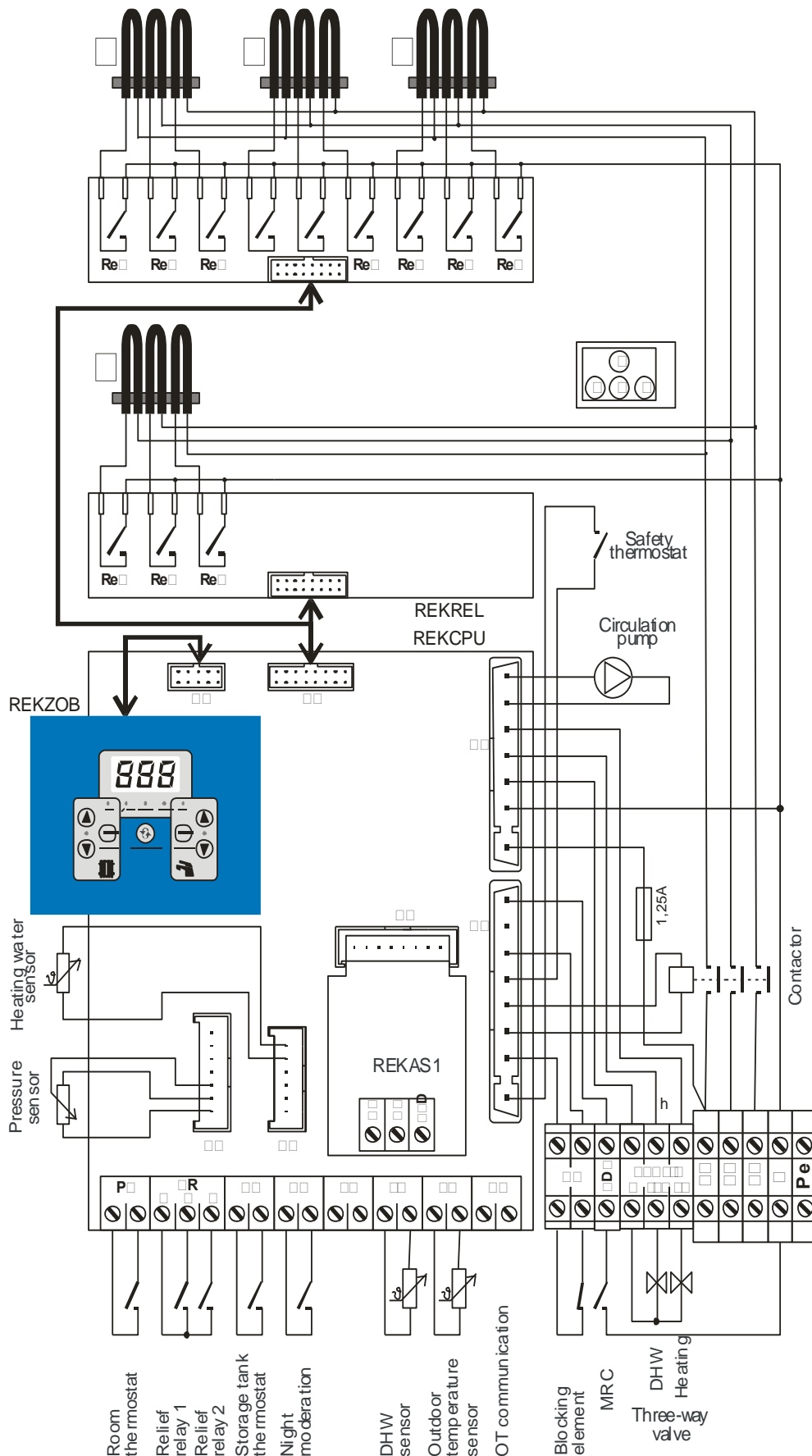


Please note – any connections made to the room thermostat (PT) must be volt free, use a volt free contact / switch if your thermostat or controller has voltage from it.

If your controller is our “OpenTherm” type “PT59X”, then this connects directly to the “OT Communication” terminal & the “PT” terminal must be linked together. You can then set the parameter “P3.1” to “1Er 1”. Note – The PT59X is the only OpenTherm controller which uses the exact OT protocol for our units.

If connecting a standard on /off thermostat fitted to most indirect cylinders - then you wire this into the “BT” connection - if you use our NTC thermistor probe then this is wired into the “TB” connection

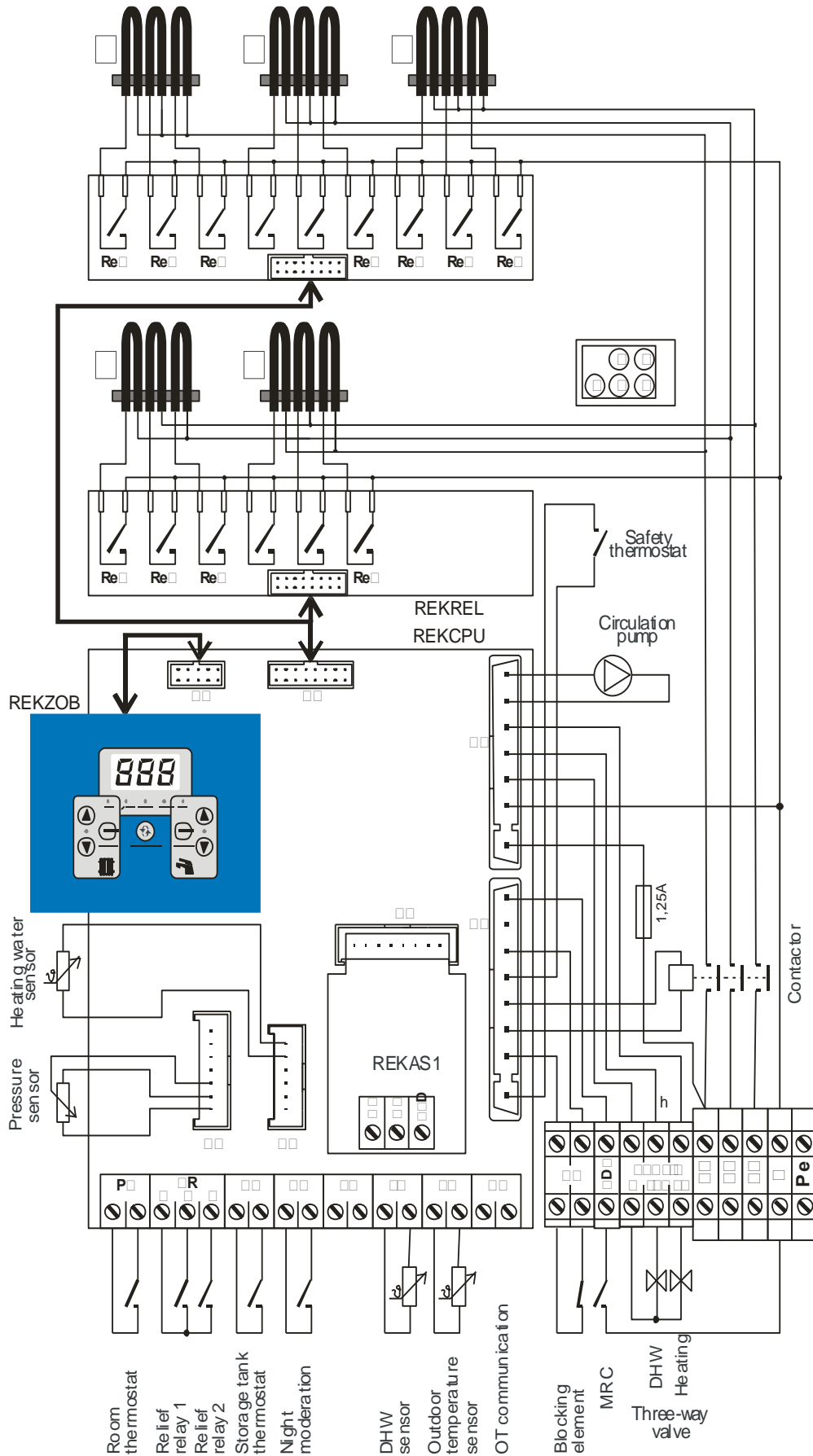
◆ FHEL 30 boiler connection to the power supply



Please note – any connections made to the room thermostat (PT) must be volt free, use a volt free contact / switch if your thermostat or controller has voltage from it.

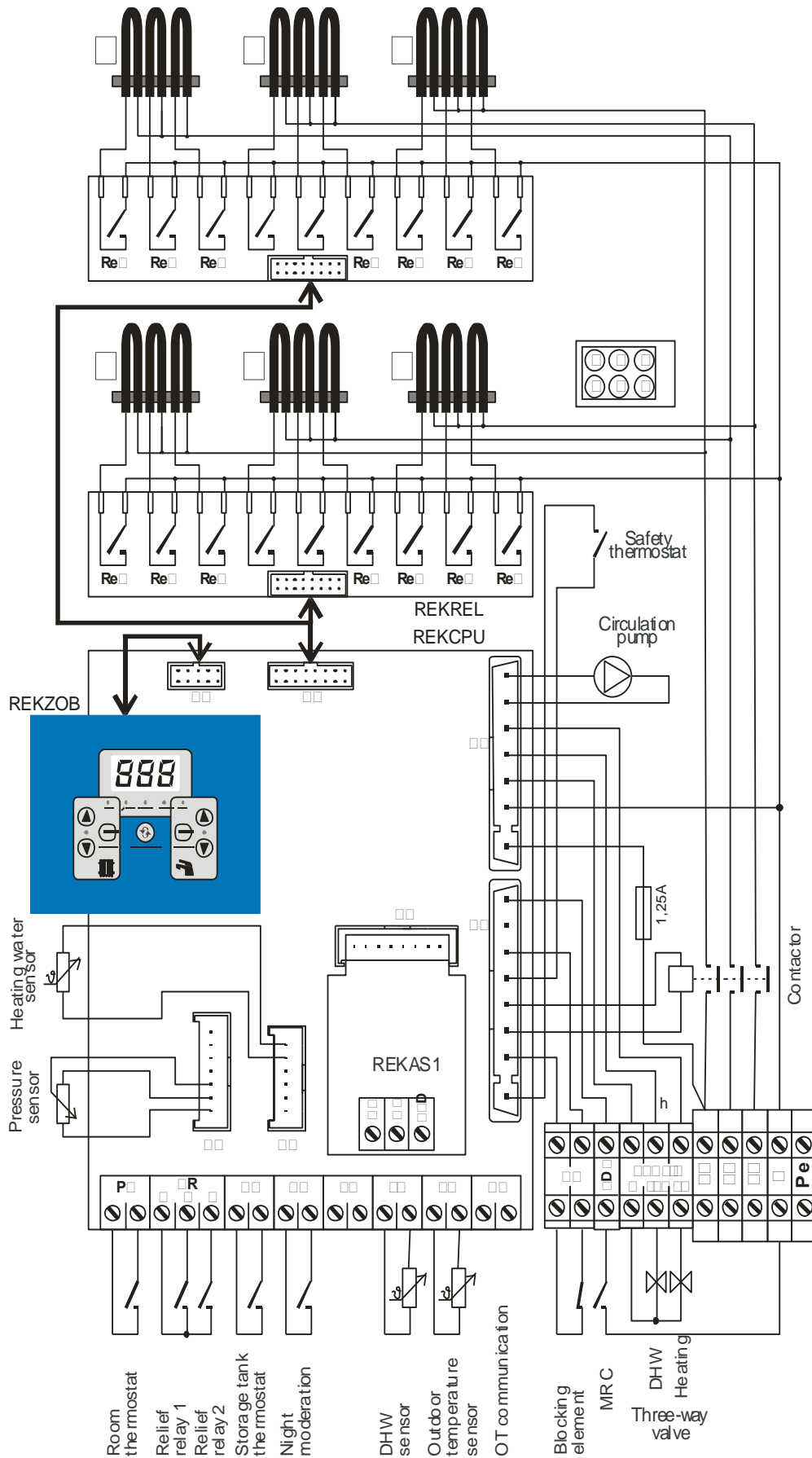
If your controller is our “OpenTherm” type “PT59X”, then this connects directly to the “OT Communication” terminal & the “PT” terminal must be linked together. You can then set the parameter “P3.1” to “tEr 1”. Note – The PT59X is the only OpenTherm controller which uses the exact OT protocol for our units. If connecting a standard on /off thermostat fitted to most indirect cylinders - then you wire this into the “BT” connection - if you use our NTC thermistor probe then this is wired into the “TB” connection

◆ FHEL 38 boiler connection to the power supply



Please note – any connections made to the room thermostat (PT) must be volt free, use a volt free contact / switch if your thermostat or controller has voltage on it.
 If your controller is our “OpenTherm” type “PT59X”, then this connects directly to the “OT Communication” terminal & the “PT” terminal must be linked together. You can then set the parameter “P3.1” to “tEr 1”. Note – The PT59X is the only OpenTherm controller which uses the exact OT protocol for our units. If connecting a standard on /off thermostat fitted to most indirect cylinders - then you wire this into the “BT” connection - if you use our NTC thermistor probe then this is wired into the “TB” connection

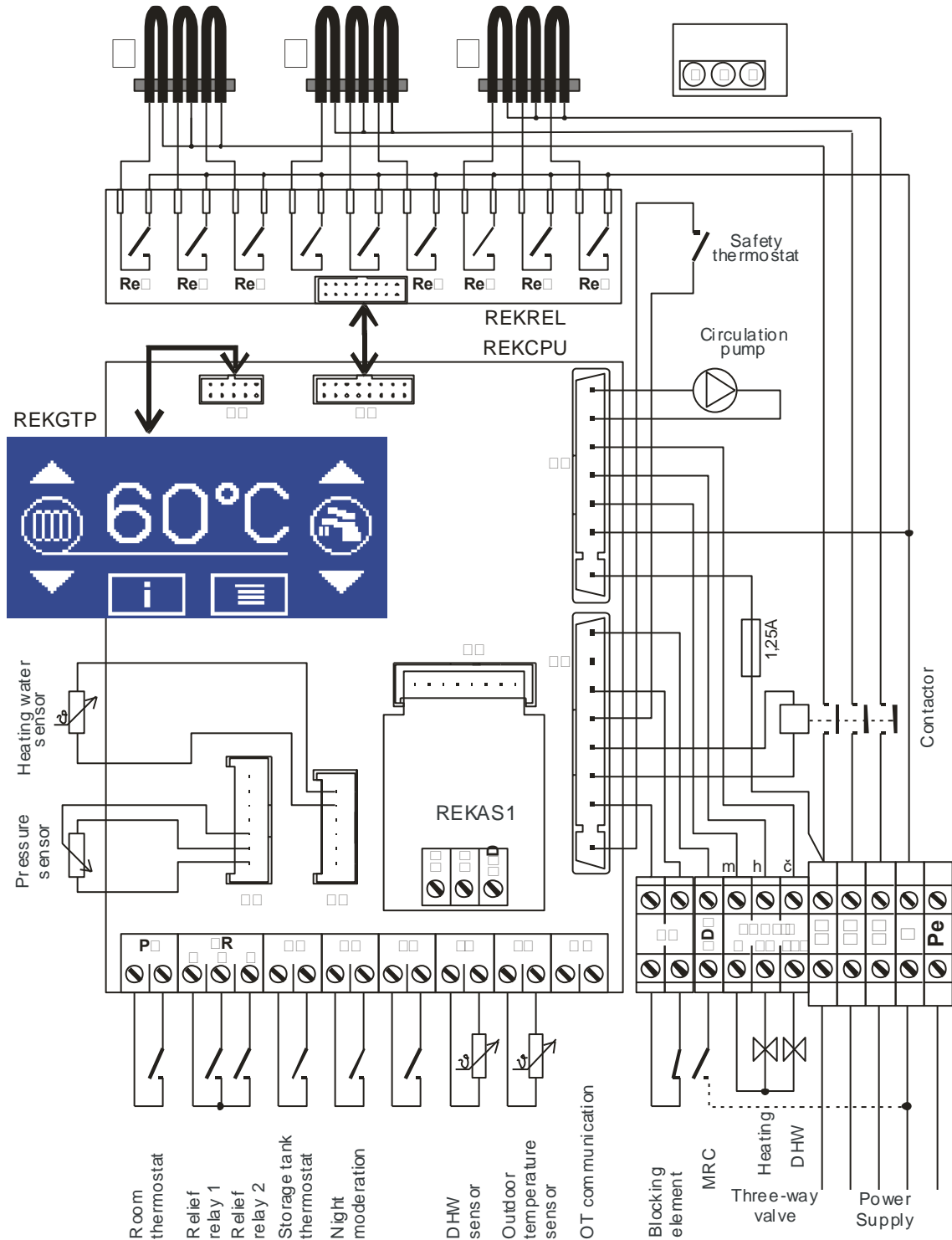
◆ FHEL 45 boiler connection to the power supply



Please note – any connections made to the room thermostat (PT) must be volt free, use a volt free contact / switch if your thermostat or controller has voltage from it.
If your controller is our “OpenTherm” type “PT59X”, then this connects directly to the “OT Communication” terminal & the “PT” terminal must be linked together. You can then set the parameter “P3.1” to “tEr 1”. Note – The PT59X is the only OpenTherm controller which uses the exact OT protocol for our units. If connecting a standard on /off thermostat fitted to most indirect cylinders - then you wire this into the “BT” connection - if you use our NTC thermistor probe then this is wired into the “TB” connection

◆ Connection of boilers FHEL 5, FHEL 9 and FHEL

14

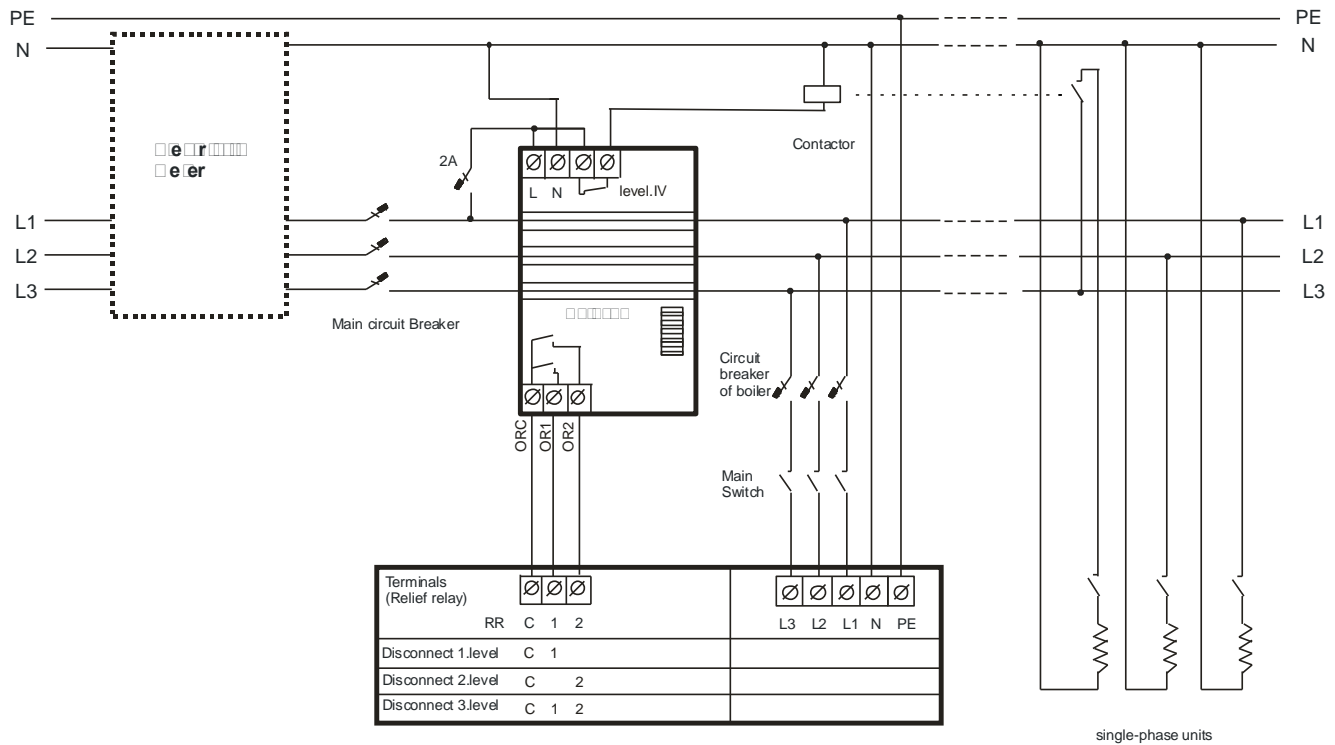


Please note – any connections made to the room thermostat (PT) must be volt free, use a volt free contact / switch if your thermostat or controller has voltage from it.

If your controller is our “OpenTherm” type “PT59X”, then this connects directly to the “OT Communication” terminal & the “PT” terminal must be linked together. You can then set the parameter “P3.1” to “tEr 1”. Note – The PT59X is the only OpenTherm controller which uses the exact OT protocol for our units.

If connecting a standard on /off thermostat fitted to most indirect cylinders - then you wire this into the “BT” connection - if you use our NTC thermistor probe then this is wired into the “TB” connection

◆ Connection of the current maximum value monitor to the boiler relief relay terminals



16. WARRANTY AND RESPONSIBILITY FOR DEFECTS

The manufacturer is not liable for any mechanical damage to individual components by harsh treatment, neither for any damage caused by unprofessional interference with the electronics during setting or connecting of accessory regulations or by using other than original components used by the manufacturer.

The guarantee does further not apply to defects brought about by nonobservance of the binding conditions specified in the individual sections of this Manual regarding operation and maintenance of the boilers.

The guarantee equally does not apply to non-standardized ratios in the distribution networks (fluctuation of the supply voltage – chiefly during overvoltage peaks etc.), defects outside the boiler which affect its operation, damage incurred due to external factors, mechanical damage, storage, transport and defects originating during natural disasters etc.

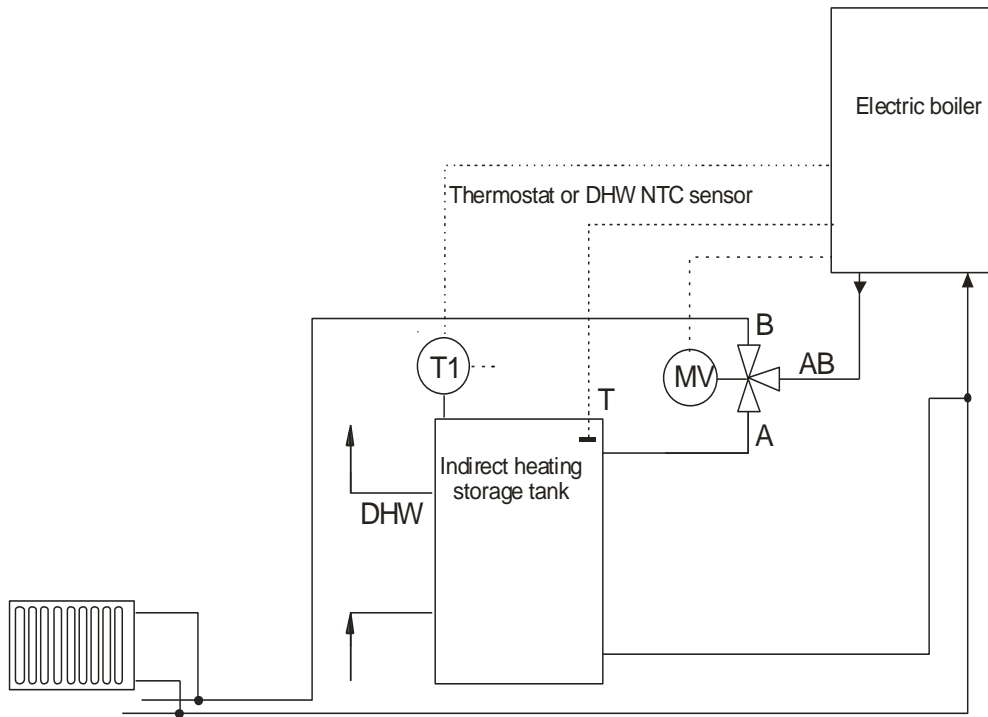
In such situations the service organization can ask the user to reimburse the repair.

Flexiheat provide a warranty in accordance with the terms contained in the warranty certificate.

Conditions which must be observed for the guarantee acknowledgement:

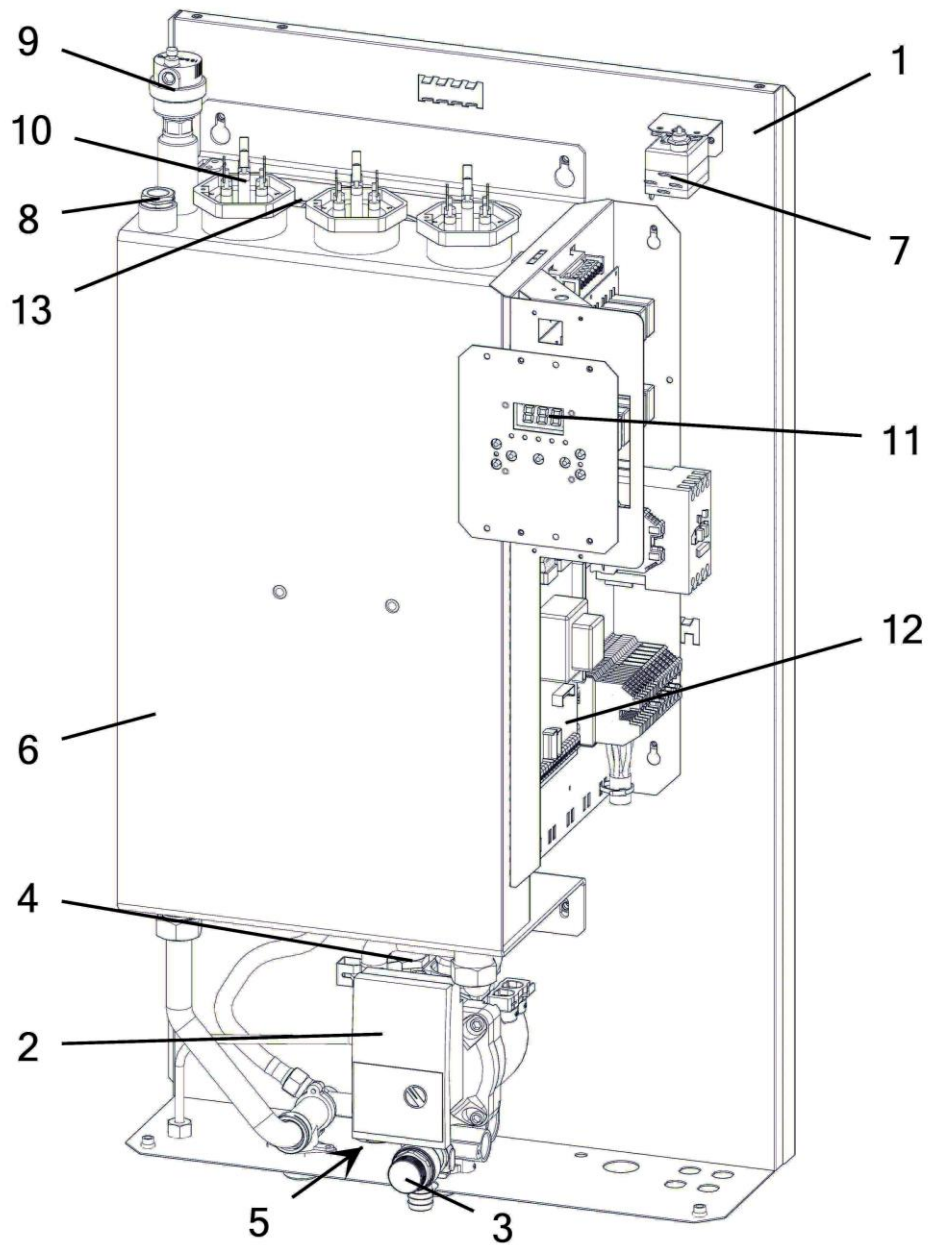
1. Boiler inspection must be performed regularly once per year. The inspections can be effected only by an authorized organization, i.e. by a contractual service body (these inspections are not included in the boiler price!).
2. It is necessary to document all records with respect to the performed guarantee repairs and annual boiler inspections in the appendix to this Manual.

◆ Connection diagram of an electric boiler with indirect heating storage tank for informational purposes



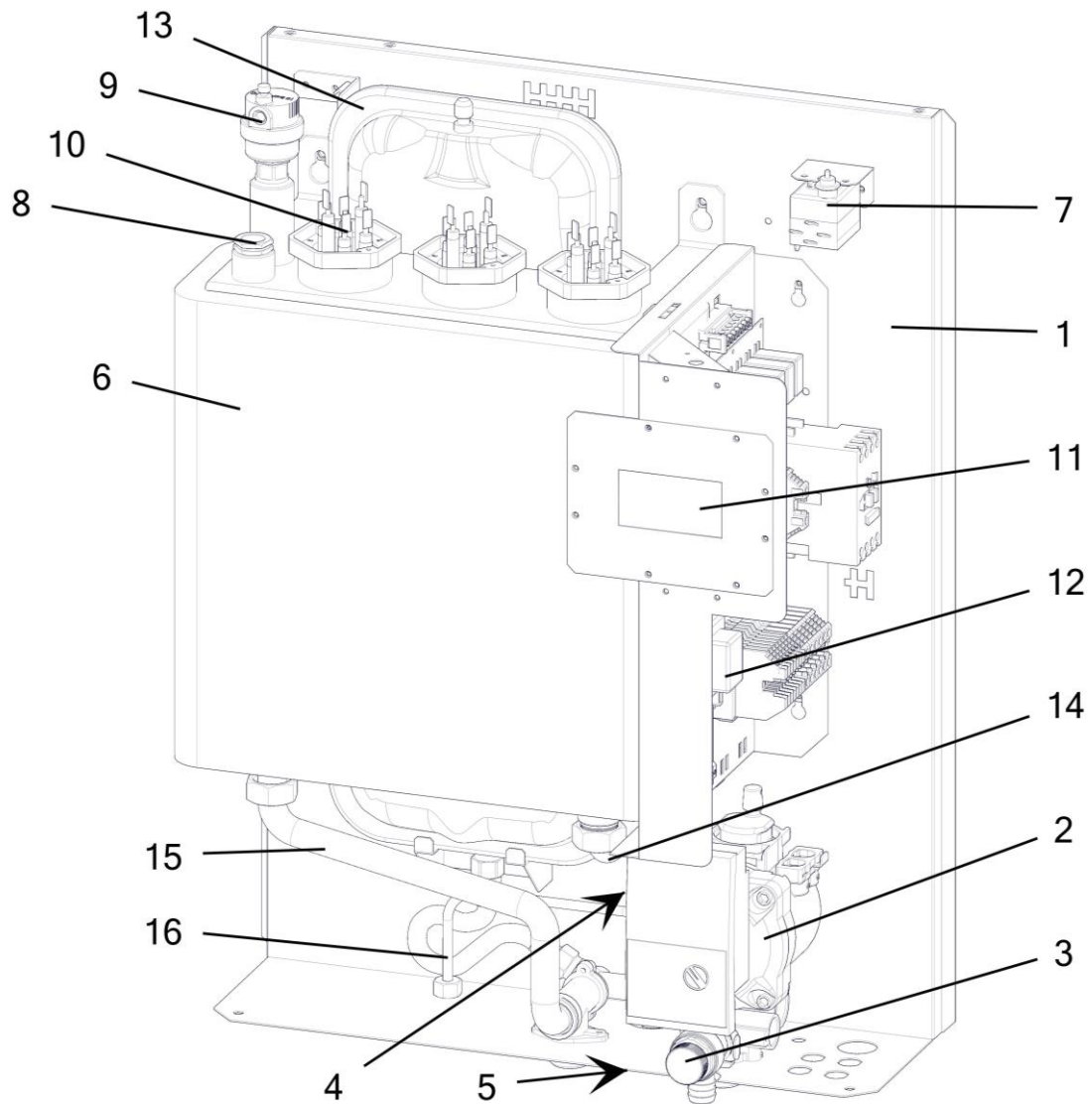
- MV – valve servomotor
- AB – heating water inlet from the boiler
- A – heating water outlet to the storage tank
- B – heating water outlet to the heating circuit
- T1 – storage tank thermostat
- T – NTC sensor of the storage tank
- DHW – DHW outlet

19. THERM EL 8, 15, 23 (KW) BOILER ASSEMBLY



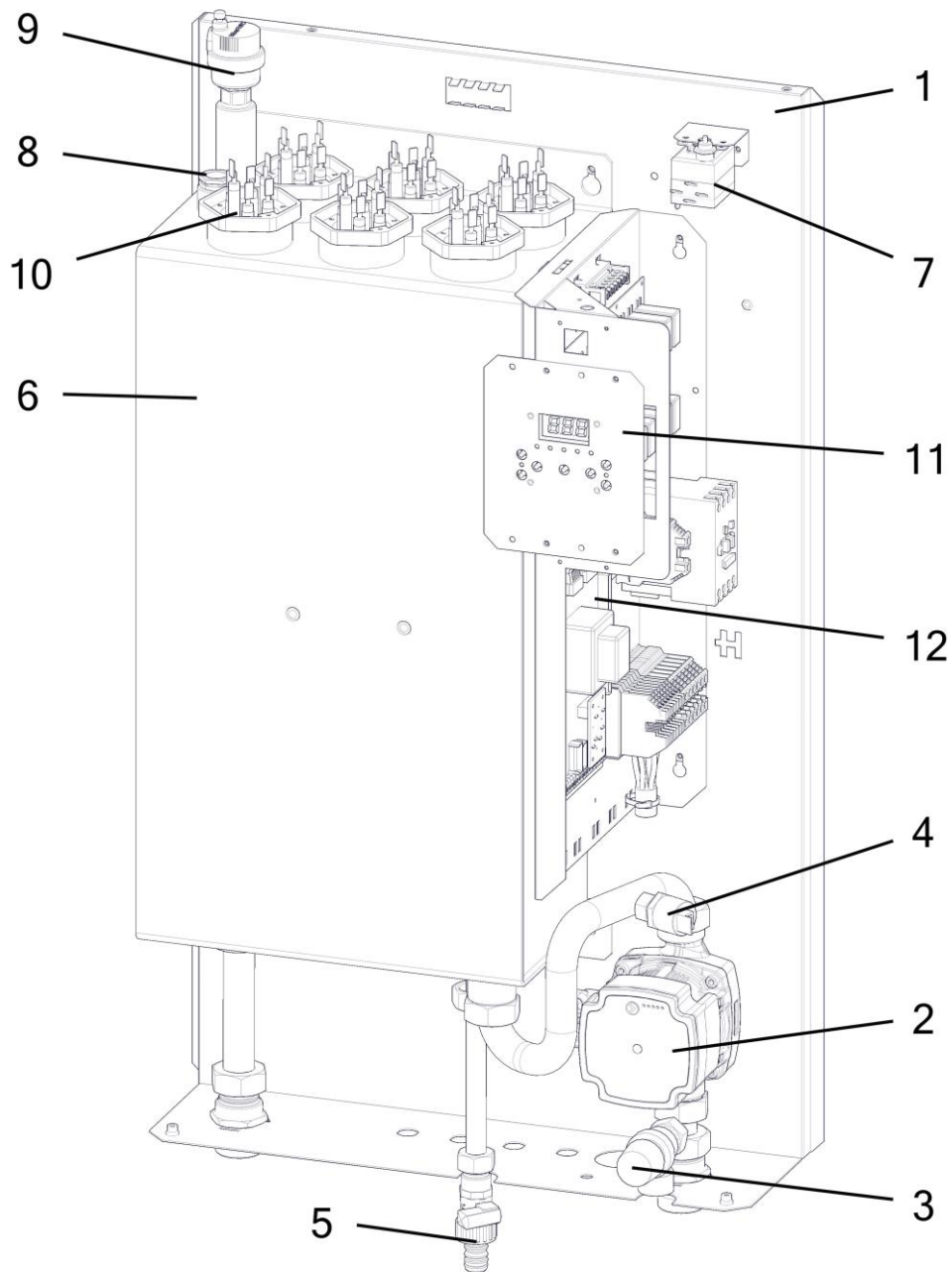
- 1 – Boiler frame
- 2 – Pump
- 3 – Safety valve
- 4 – Pressure sensor
- 5 – Discharge valve (1/2")
- 6 – Boiler heat exchanger
- 7 – Emergency thermostat (the sensor is placed in the cup together with the temperature sensor)
- 8 – Temperature sensor
- 9 – Air relief valve
- 10 – Heating bar
- 11 – Control display
- 12 – Boiler automatic system
- 13 – Expansion vessel (7 l)

20. THERM EL 5, 9, 14 (KW) BOILER ASSEMBLY



- 1 – Boiler frame
- 2 - Pump
- 3 – Safety valve
- 4 – Pressure sensor
- 5 – Discharge valve (1/2")
- 6 – Boiler exchanger
- 7 – Emergency thermostat (the sensor is located in the pit together with the thermal sensor)
- 8 – Thermal sensor
- 9 - Air relief valve
- 10 – Heating bar
- 11 – Control display
- 12 – Boiler automatic system
- 13 – Expansion tank 7 l
- 14 – Return pipe
- 15 – Heating pipe
- 16 – Pipe for additional charging

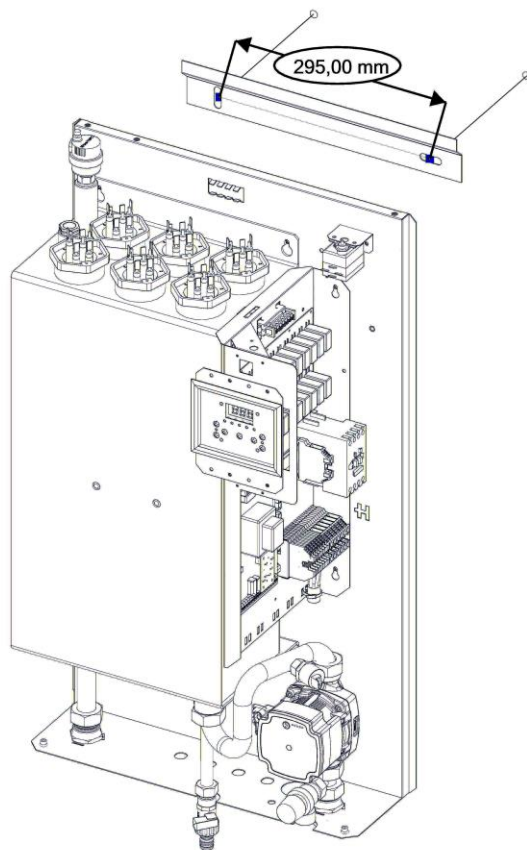
21. THERM EL 30, 38, 45 BOILER ASSEMBLY (KW)



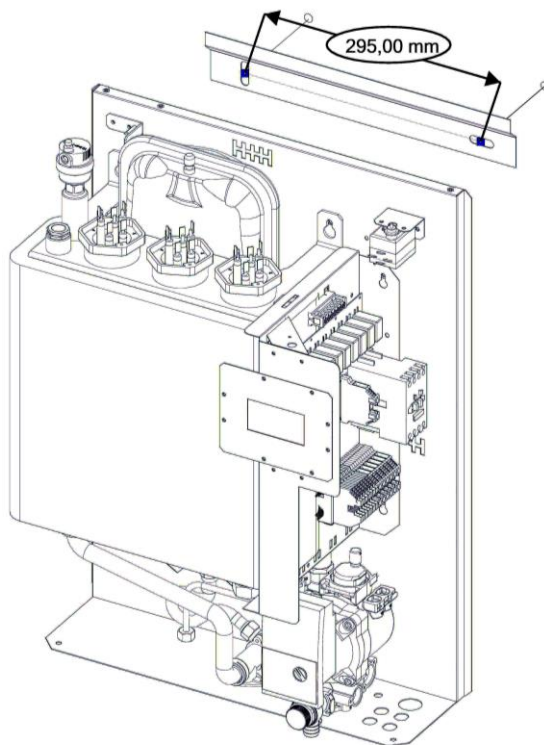
- 1 – Boiler frame
- 2 – Grundfos pump
- 3 – Safety valve
- 4 – Pressure sensor
- 5 – Discharge valve (1/2")
- 6 – Boiler heat exchanger
- 7 – Emergency thermostat (the sensor is placed in the cup together with the temperature sensor)
- 8 – Temperature sensor
- 9 – Vent valve
- 10 – Heating bar
- 11 – Control display
- 12 – Boiler automatics

22. WALL-MOUNTING OF THE BOILER

- ◆ Therm EL 8, EL 15, EL 23, EL 30, EL 38, EL 45

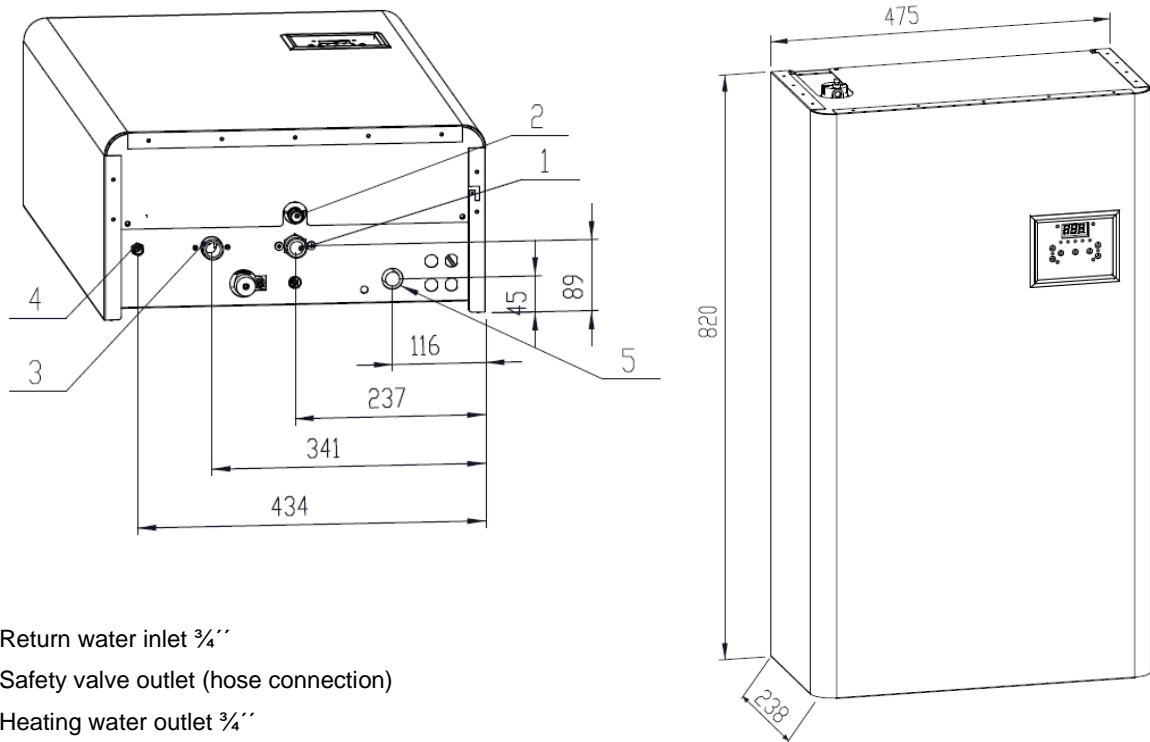


- ◆ Therm EL 5, EL 9, EL 14



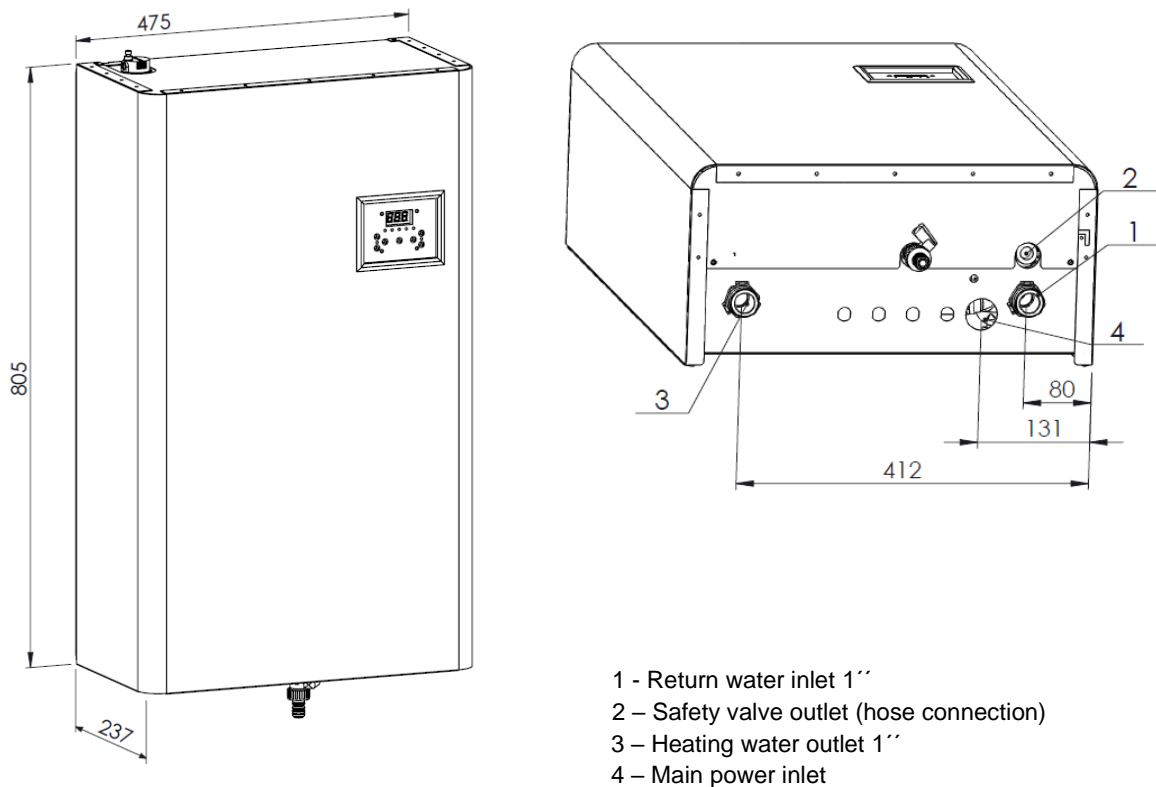
23. BOILER DIMENSIONS AND CONNECTION

◆ Therm EL 8, EL 15, EL 23



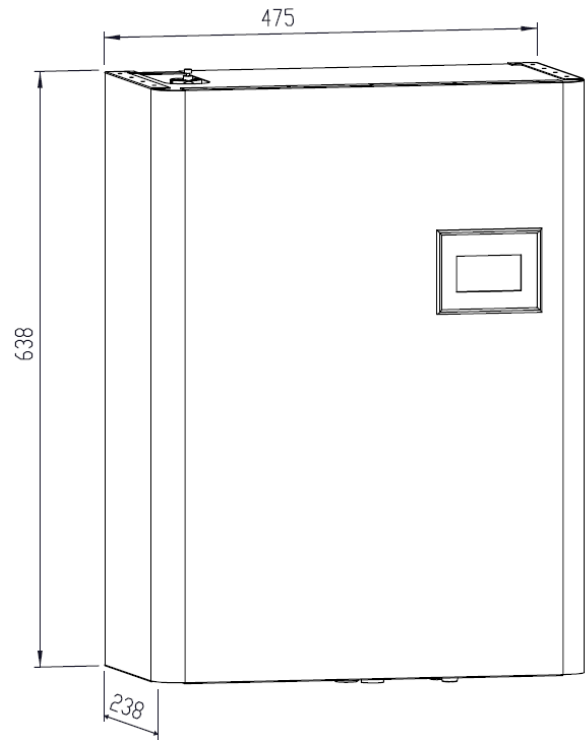
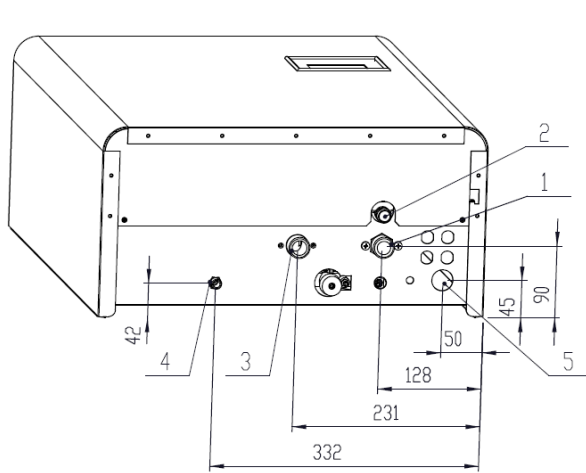
- 1 – Return water inlet 3/4"
- 2 – Safety valve outlet (hose connection)
- 3 – Heating water outlet 3/4"
- 4 – Refilling water inlet 1/2"
- 5 – Main power inlet

◆ Therm EL 30, EL 38, EL 45



- 1 - Return water inlet 1"
- 2 - Safety valve outlet (hose connection)
- 3 - Heating water outlet 1"
- 4 - Main power inlet

◆ Therm EL 5, EL 9, EL 14



- 1 – Return water inlet 3/4"
- 2 – Safety valve outlet (hose connection)
- 3 - Heating water outlet 3/4"
- 4 – Refilling water inlet 1/2"
- 5 – Main power inlet

24. Product information sheet as required by the EU Commission Regulation No. 811/2013 and 813/2013

	Model	Seasonal space heating energy efficiency class	Rated heat output	Seasonal space heating energy efficiency	Annual electricity consumption	Annual fuel consumption	Sound power level
			kW	%	kWh	GJ	dB(A)
	FHEL 5	D	5	36	10 053	36	41
	FHEL 8	D	8	36	16 638	60	41
	FHEL 9	D	9	36	19 888	72	41
	FHEL 14	D	14	36	29 712	107	41
	FHEL 15	D	15	36	33 031	119	41
	FHEL 23	D	23	36	49 413	178	41
	FHEL 30	D	30	36	65 890	237	41
	FHEL 38	D	38	36	82 284	296	41
	FHEL 45	D	45	36	98 679	355	41

