



FLEXIHEAT UK LTD

www.flexiheatuk.com

01202 822221



Slim Air Curtains

It meets the needs of 99% of applications and effectively protects up to 3.2 m high door openings.



DISCOVER THE UNIQUE 4i ADVANTAGES OF THE SLIM AIR CURTAINS

- When creating the new Slim air curtain, we asked our customers a question: What should an air curtain be like to fit most doors? We included the answers in the 4i solution, which gave the final character to our device



1

Intelligent

The device comes with a built-in motion sensor and it activates only when it's needed.

2

Invisible

Slim is an example of discreet design. It's highly aesthetic, slender and quiet which means that it doesn't interfere with people's work.

3

Improving air

The air curtain improves the indoor air quality due to easy exchangeable exterior filter module.

4

Ideal

The thinnest air curtain on the market. It fits to 99% of doors. It's ideal for your business.



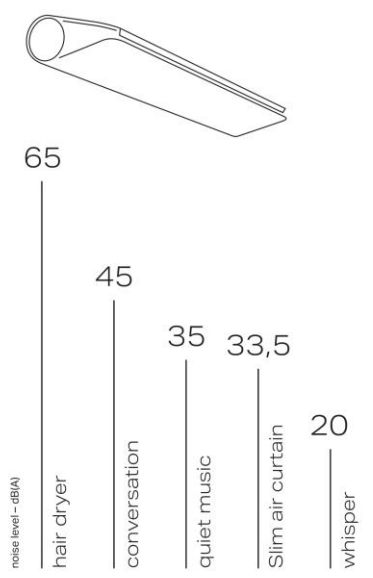
What differentiates the Slim Air Curtain to the market

- **Built-in motion sensor** - As the only curtain on the market, Slim has a built-in motion sensor with adjustable angle - it activates the curtain when motion is detected in the vicinity of the device. There is no need for any additional automation
- **Plug & Play** - built-in control included in the price of the device - no additional controller is needed. The switches allow you to easily and quickly change the operating mode



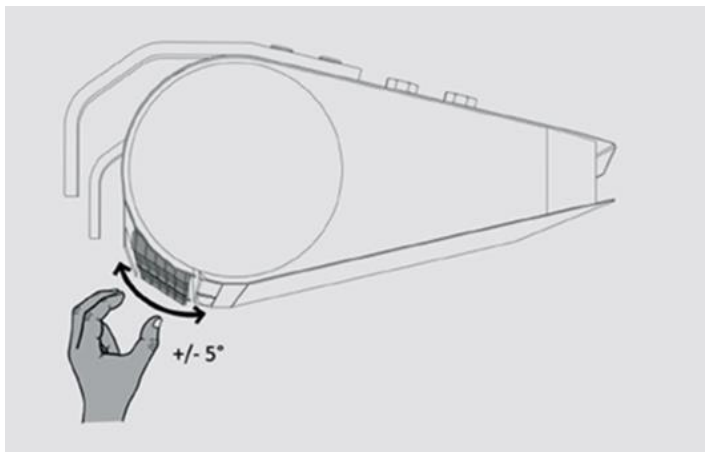
What differentiates the Slim Air Curtain to the competition

- **The thinnest air curtain on the market** – 189 mm
- **Two colour options** - fits into interiors with different styles. Available colors: white with black elements and deep black
- **Low noise level** - while working it does not cause discomfort to people in the vicinity - from 33.5 db (A)



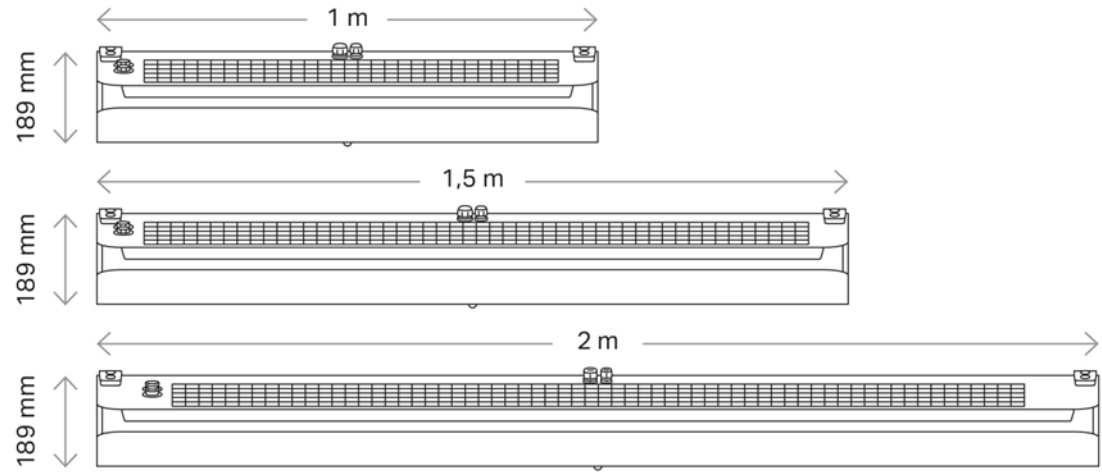
What differentiates the Slim Air Curtain to the competition

- Easily replaceable **external filter module** (Coarse 30%, 4mm thick) that protects against the ingress of dirt and other contaminants
- Aluminum impellers of a renowned German company providing a **larger surface area active air inlet**
- **Two independent, adjustable outlet grilles**, so that the air barrier function is more effective and can be adapted to the conditions at the door opening



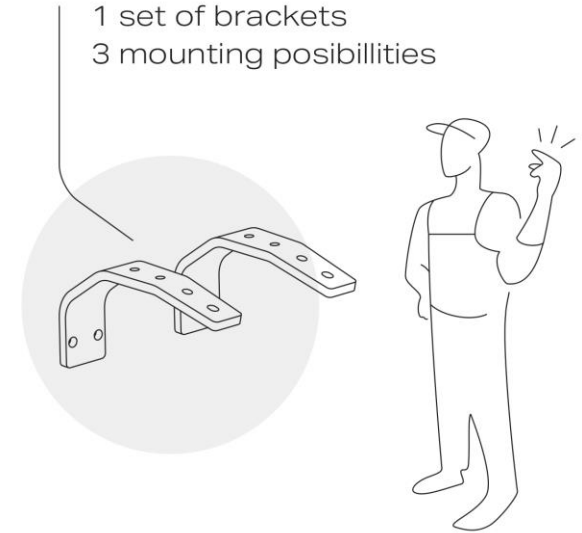
What differentiates the Slim Air Curtain to the competition

- Direct **access to the automation thanks to the service hatch**- easy maintenance of the air curtain
- Perfect fit to the width of the door. Available in the lengths **1 m; 1,5 m; 2 m**. The device is without any protruding side details. Its length is always as stated.



What differentiates the Slim Air Curtain to the market

- Ready for **horizontal and vertical installation**
- Installation **with mounting brackets or on threaded rods**



Slim is perfectly suited to a cosy cafe and also suits minimalist interiors with its designer look





FLEXIHEAT UK LTD

www.flexiheatuk.com

01202 822221

SUMMARY

Slim-series

Main technical parameters



Range⁽¹⁾
3,2 m



Heating capacity⁽²⁾
1,3-29,3



Weight
14,7-26,9



Efficiency
750-3000 m³/h



Casing
Steel



2 colors as standard⁽³⁾
**White with black elements
or deep black**



(1) according to ISO 27327-1

(2) SLIM W power and temperature range specified for the parameters: fan speed III, heating medium temperature 40/30 ° C device inlet temperature 20 ° C - fan speed III, heating medium temperature 110/90 ° C inlet temperature to the device 0 ° C; SLIM E power range for operation at 1N 230/50 to operation at 3N 400/50

(3) RAL 9003 and 9005. Any RAL color on request



FLEXIHEAT UK LTD

www.flexiheatuk.com




01202 822221

SUMMARY




N = No heat exchanger – commonly known as an ambient air curtain

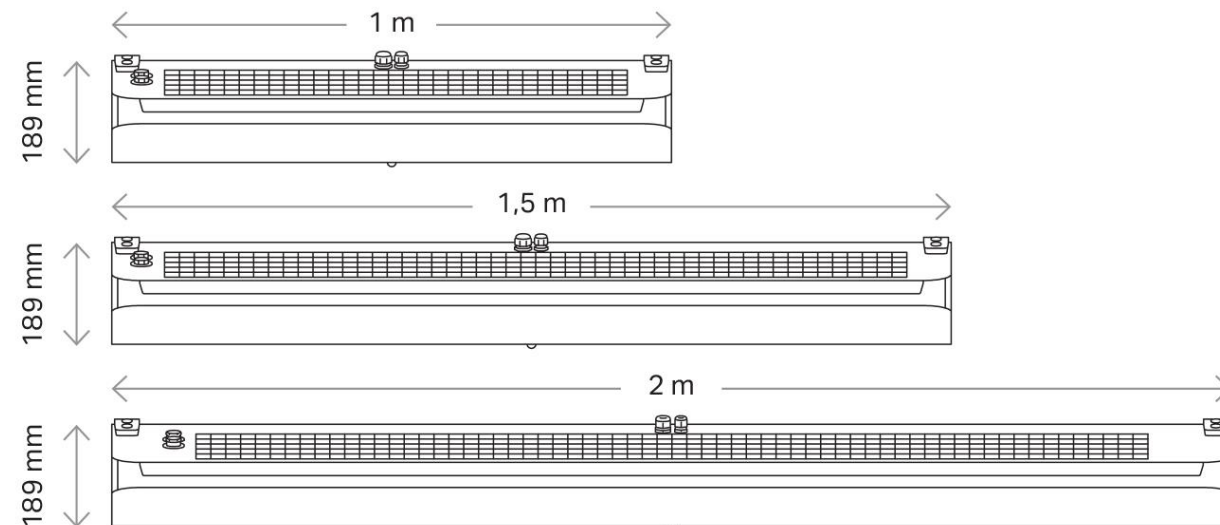
Devices available

3 versions:

-  with water heat exchanger
-  without heat exchanger (so-called cold)
-  with electric heaters

3 length:

-  1 m
-  1,5 m
-  2 m





Slim Air Curtains

The "Slim" air curtain range meets the requirements of 99% of applications and it effectively protects door openings up to 3.2 meters high.





FLEXIHEAT UK LTD

www.flexiheatuk.com

01202 822221