



FLEXIHEAT UK LTD  
www.flexiheatuk.com  
01202 822221

# G series Gas fired heater

## Low pressure natural gas and LPG

- High efficiency (100%)
- Low NOx and CO emissions
- Stainless steel bodywork
- Room thermostat socket



# Gas fired heat generator



The G series are available in 4 new models with thermal power of 25, 40, 70 and 90kW. Their air flow has increased and the noise level has reduced thanks to the fans with sickle-shaped blades.

The electronic board has air flow control and three attempts restart system (in compliance with the regulation EU 2016/426 - GAR).

The G series air heaters are reliable and long lasting, as they have stainless steel bodywork and they are made of materials resistant even to the worst air quality conditions.

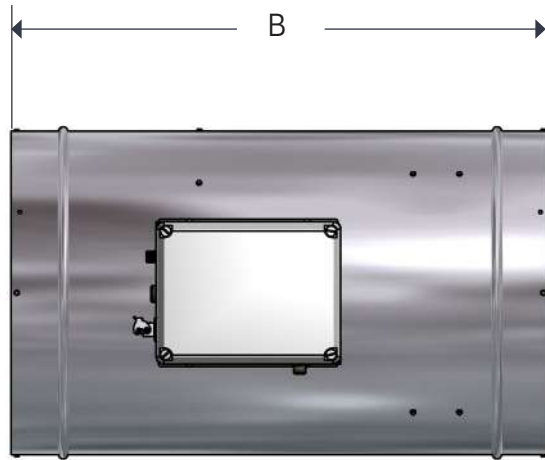
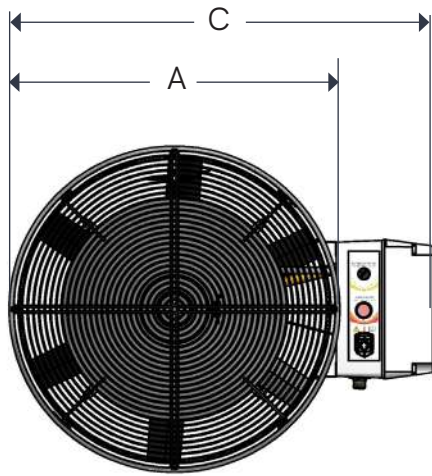
All the standard models are provided with room thermostat socket and plug.

The 90kW model has the option to function as sole ventilator (it works as an air circulator). As always IMQ guarantees our product quality.





# Technical data



Model		G36-25	G45-40	G56-65	G56-90	
Thermal power	kW	25	40	65	90	
	Air flow					
	m <sup>3</sup> /h	3.000	4.000	7.000	8.000	
	cfm	1.765	2.355	4.120	4.710	
Gas consumption	LPG (G30)	kg/h	1,82	2,91	5,09	6,55
	LPG (G31)	kg/h	1,79	2,86	5,00	6,43
	Nat. gas	m <sup>3</sup> /h	2,38	3,81	5,91	8,58
Gas pressure	LPG	mbar	30 (G30)			
		mbar	37 (G31)			
	Nat. gas	mbar	20 (G20)			
Dimensions	A	mm	360	450	560	560
	B	mm	800	800	930	930
	C	mm	520	630	750	750
Weight	kg	20	22	32	32	
Electrical supply		230V ~ 50Hz				
Power consumption	W	265	285	475	800	