



FLEXIHEAT UK LTD
www.flexiheatuk.com
01202 822221

Installation, Use and Maintenance Manual for model

R1K 120

Premix condensing system boiler
only heating

CE 0476

R1K 120 - RAD - ING - Manuale - 2011.1_SKM1_no_INAIL_firm.L226E

SUMMARY

INTRODUCTION	4
--------------------	---

1. INSTALLER SECTION 7

1.1. INSTALLATION	8
1.1.1. GENERAL INSTALLATION WARNINGS	8
1.1.2. BOILER LOCATION ENVIRONMENTAL REQUIREMENTS	8
1.1.3. REFERENCE LEGISLATION	9
1.1.4. BOILER OVERALL DIMENSIONS	10
1.1.5. JIG	10
1.1.6. OVERALL DIMENSIONS OF THE HEATING ONLY MODULE	10
1.1.7. OVERALL DIMENSIONS OF THE MODULE FOR REMOTE BOILER SUPPLY	11
1.1.8. MECHANICAL SYSTEM DIAGRAM	12
1.1.9. SYSTEM ACCESSORIES	15
1.1.10. CIRCULATOR PREVALENCE/FLOW DIAGRAM	17
1.1.11. GENERATOR INSTALLATION	18
1.1.12. HYDRAULIC CONNECTION	21
1.1.13. CHARACTERISTICS OF THE WATER OF THE SYSTEM	22
1.1.14. SYSTEM FILLING	24
1.1.15. CONDENSATE DRAIN	25
1.1.16. ANTI-FREEZE PROTECTION	27
1.1.17. GAS CONNECTION	28
1.1.18. ELECTRICAL CONNECTION	28
1.1.19. POWER SUPPLY	29
1.1.20. OPTIONAL ELECTRICAL CONNECTIONS	30
1.1.21. FUME EXHAUST FITTINGS	34
1.1.22. TYPES OF FUME EXHAUST SYSTEMS	35

2. SUPPORT CENTER SECTION 41

2.1. FIRST START-UP	42
2.1.1. PRELIMINARY OPERATIONS FOR FIRST START-UP	42
2.1.2. BOILER COMMISSIONING	43
2.1.3. CO2 VALUE CHECK AND CALIBRATION	44
2.1.4. ACCESSING AND PROGRAMMING THE PARAMETERS	45
2.1.4. DIGITECH CS PARAMETERS TABLE (MIAH412)	48
2.1.5. ELECTRIC FAN FREQUENCY/HEAT CAPACITY DIAGRAM*	58
2.2. MAINTENANCE	59
2.2.6. GENERAL MAINTENANCE WARNINGS	59
2.2.8. TECHNICAL DATA	60
2.2.9. TECHNICAL ASSEMBLY	62

SUMMARY

2.2.7. HYDRAULIC BOARD.....	63
2.2.8. SLAVE BOARD ELECTRICAL CONNECTIONS.....	64
2.2.9. MASTER BOARD ELECTRICAL CONNECTIONS.....	65
2.2.13. ACCESSING THE BOILER.....	66
2.2.10. ACCESSING THE MASTER ELECTRONIC BOARD.....	67
2.2.11. ACCESSING THE SLAVE ELECTRONIC BOARD.....	68
2.2.16. SYSTEM EMPTYING.....	69
2.2.12. FAULT SIGNALLING CODES.....	70
2.2.13. ACTIVE FUNCTIONS SIGNALLING CODES.....	75
2.2.14. GAS TYPE TRANSFORMATION.....	76

3. USER SECTION **77**

3.1. USE.....	78
3.1.1. GENERAL USE WARNINGS.....	78
3.1.2. CONTROL PANEL.....	79
3.1.3. DISPLAY ICONS.....	80
3.1.4. INFO MENU DISPLAY DATA.....	81
3.1.5. START-UP.....	82
3.1.6. OPERATING MODE.....	82
3.1.7. INFORMATIONAL NOTE ON ANTI-FREZZE FUNCTION.....	83
3.1.8. FAULT SIGNALLING CODES.....	84
3.1.9. ACTIVE FUNCTIONS SIGNALLING CODES.....	86
3.1.10. FAST H2O FUNCTION.....	86
3.1.11. COVER CLEANING.....	87
3.1.12. DISPOSAL.....	87

INTRODUCTION

WARNING

Before starting any operation it is mandatory to read this instruction manual, in relation to the activities to be carried out as described in each relevant section. Proper operation and optimal performance of the boiler are ensured by strict compliance with all the instructions given in this manual.

The installation, use and maintenance manual is an integral and essential part of the product and must be delivered to the user.

MANUAL USERS

The manual users are all those who install, use and maintain the boiler.

The boiler must be used and accessed only by qualified operators that fully read and understood the use and maintenance manual, paying particular attention to the warnings.

READING AND SYMBOLS OF THE MANUAL

To ease the understanding of this manual, recurrent symbols where used, in particular:

- › On the outer margin of the page is placed a thumb index indicating the type of user to which the instructions in that section address.
- › The titles are differentiated by thickness and size in accordance with their hierarchy.
- › The images contain important parts described in the text, marked with numbers or letters.
- › (See chap “chapter name”): this entry indicates another section in the Manual that you should refer to.
- › Device: this term is used referring to the boiler.



DANGER

It identifies an information related to a general danger that if not complied with, may cause serious personal damage or even death.



ATTENTION

It identifies an information that if not complied with may cause small or medium level lesions to the person or serious deterioration to the boiler.



WARNING

It identifies a precaution information that must be observed in order to avoid damaging the machine or parts of it.

MANUAL STORAGE

The manual must be carefully stored and replaced in case of deterioration and/or low legibility.

If you misplace the use and maintenance manual, you can request it from the Technical Support Centre giving the serial number and model of the boiler indicated on the plate placed on the right side of its casing.

MANUFACTURER WARRANTY AND RESPONSIBILITY

The technical and functional features of the device are ensured by its use in compliance:

1. with the use and maintenance instructions contained in the manuals accompanying the product, the content of which the customer certifies that he is aware;
2. with the conditions and purposes to which assets of the same type are intended.

For more information on the warranty validity, its duration, the obligations and the exemptions, please consult the First start-up certificate attached to this manual.

The manufacturer reserves:

- › the right to modify the tools and relative technical documentation without any obligation to third parties; neither will the company be held responsible for any inaccuracies in this handbook deriving from printing or translation errors;
- › the material and intellectual ownership of this manual and forbids its distribution and duplication, even partial, without prior written authorization.

PRODUCT CONFORMITY

Flexiheat declares that its gas boilers comply with the European Directives and with the requirements provided in the European standards below:

- › Eco-design Directive 2009/125 CE,

- › Energy labeling Directive 2010/30/CE,
- › Regulation EU 811/2013,
- › Regulation EU 813/2013,
- › Regulation EU 2016/426,
- › Electromagnetic compatibility Directive 2014/30/CE,
- › Performance Directive 92/42/CE,
- › Low voltage Directive 2014/35/CE.

The materials used such as copper, brass, stainless steel create a homogeneous, compact and functional assembly, easy to install and manage. In its simplicity, the boiler is equipped with all accessories necessary to render it a veritable independent heating unit. All boilers are tested and delivered with a quality certificate signed by the tester.

1. INSTALLER SECTION

The installation operations described in this section should be performed only by qualified personnel, having the appropriate technical training in the field for the installation and maintenance of components of civil and industrial domestic hot water production and heating plants.

1.1. INSTALLATION

1.1.1. GENERAL INSTALLATION WARNINGS



ATTENTION

This machine may be used only for the purpose for which it has been designed: heat water to a temperature below boiling point at atmospheric pressure. Any other use is considered wrong and dangerous. The manufacturer is excluded from any contractual or out of contract responsibility for damage caused to people, animals or property due to errors during installation.



ATTENTION

This boiler should be installed only by qualified personnel, having the appropriate technical training in the field for the installation and maintenance of components of civil and industrial domestic hot water production and heating plants.



ATTENTION

After having removed the packing, make sure the equipment is intact. In case of doubt, do not use the equipment and contact the supplier.

BEFORE INSTALLING THE BOILER, THE INSTALLER MUST MAKE SURE THAT THE FOLLOWING CONDITIONS ARE MET:

- › The device is connected to a heating plant and a water supply network appropriate for its power and performance.
- › The location must be properly vented through an air vent.
- › The air vent must be placed at floor level to prevent it from being obstructed, protected by a grid that does not hamper the useful section of passage.

- › The device is suitable for use with the type of gas available by checking the boiler data plate (placed on the inner side of the front casing).
- › Make sure that the tubes and couplings are perfectly sealed, without any gas leaks.
- › Make sure that the grounding system works properly.
- › Make sure that the electrical systems is suitable for the maximum power absorbed by the equipment, value indicated on the data plate.

1.1.2. BOILER LOCATION ENVIRONMENTAL REQUIREMENTS

The boiler has a thermal power over 35 kW and, therefore, it must be installed only into a heating unit.

The device's installation location should be vented due to the presence of threaded joints on the gas adduction line. The location should be therefore provided with vents as to ensure air exchange, with output grid in the natural accumulation area of eventual gas losses.



WARNING

DO NOT install the boiler in a technical compartment near a swimming pool or a laundry, to avoid that the combustion air is exposed to chlorine, ammonia or alkaline agents that may worsen the corrosion phenomenon of the heat exchanger. Failure to observe this caution will void the warranty of the heat exchanger.



WARNING

If the temperature in the boiler installation location goes below -10 centigrades, please fill the plant with anti-freeze liquid and insert and electrical resistances kit (see chapter 'ANTI-FREEZE PROTECTION').



WARNING

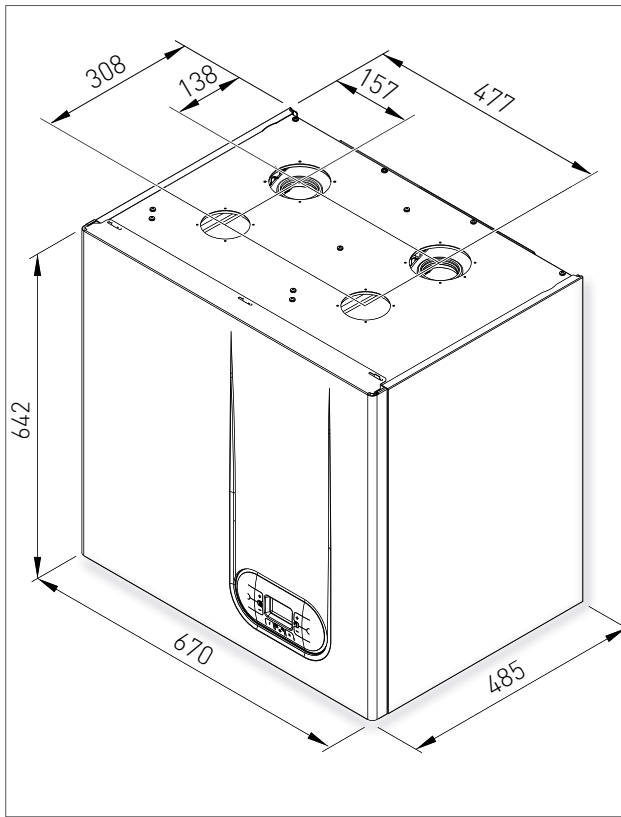
The manufacturer will not be held responsible for damages caused by incorrect installation not in conformity with the over mentioned instructions and not protected adequately from the freeze.

1.1.3. REFERENCE LEGISLATION

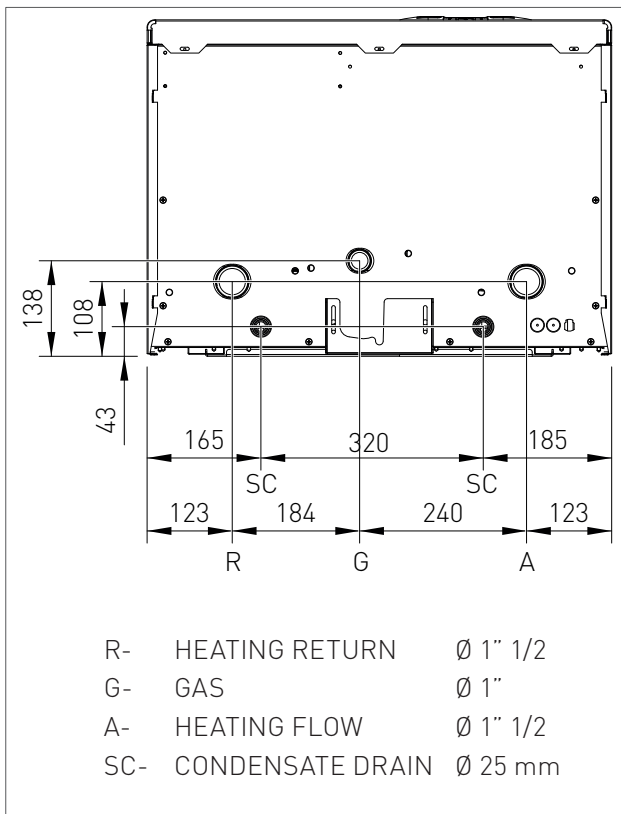
The installation must be realized according to the requirements of current legislation and in compliance with local technical regulations, according to the indications of the good technique.

2. INSTALLATION

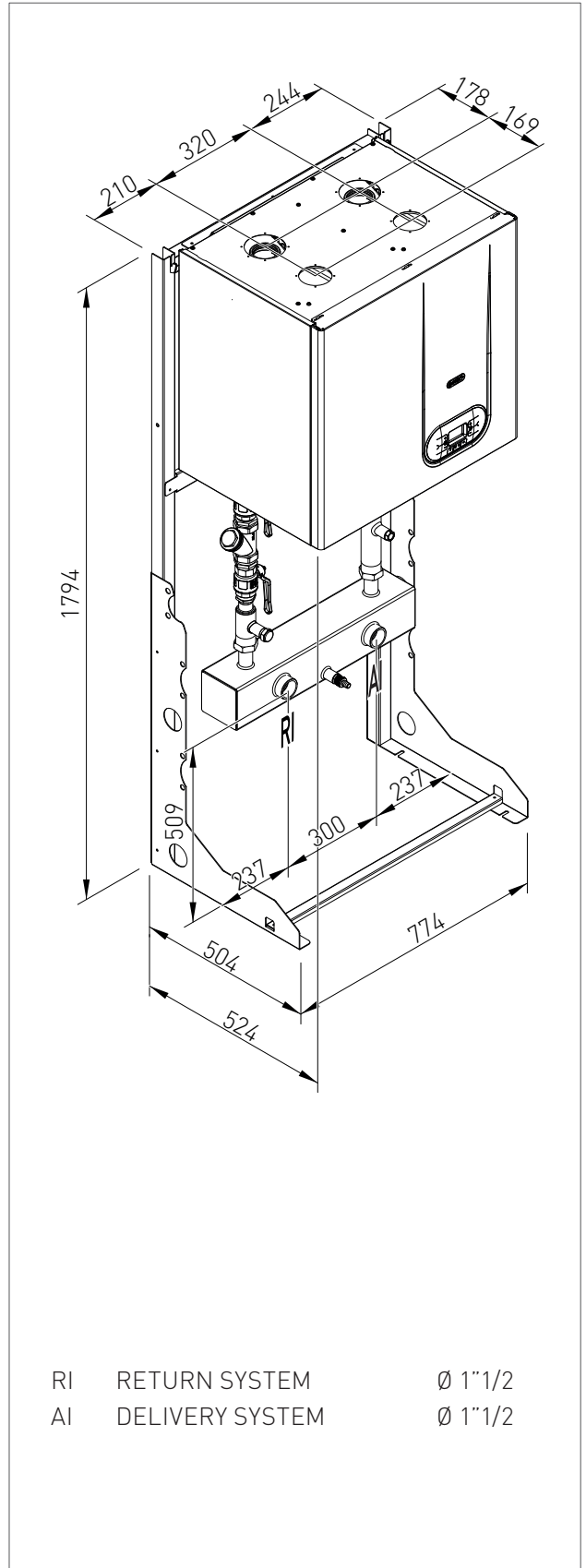
1.1.4. BOILER OVERALL DIMENSIONS



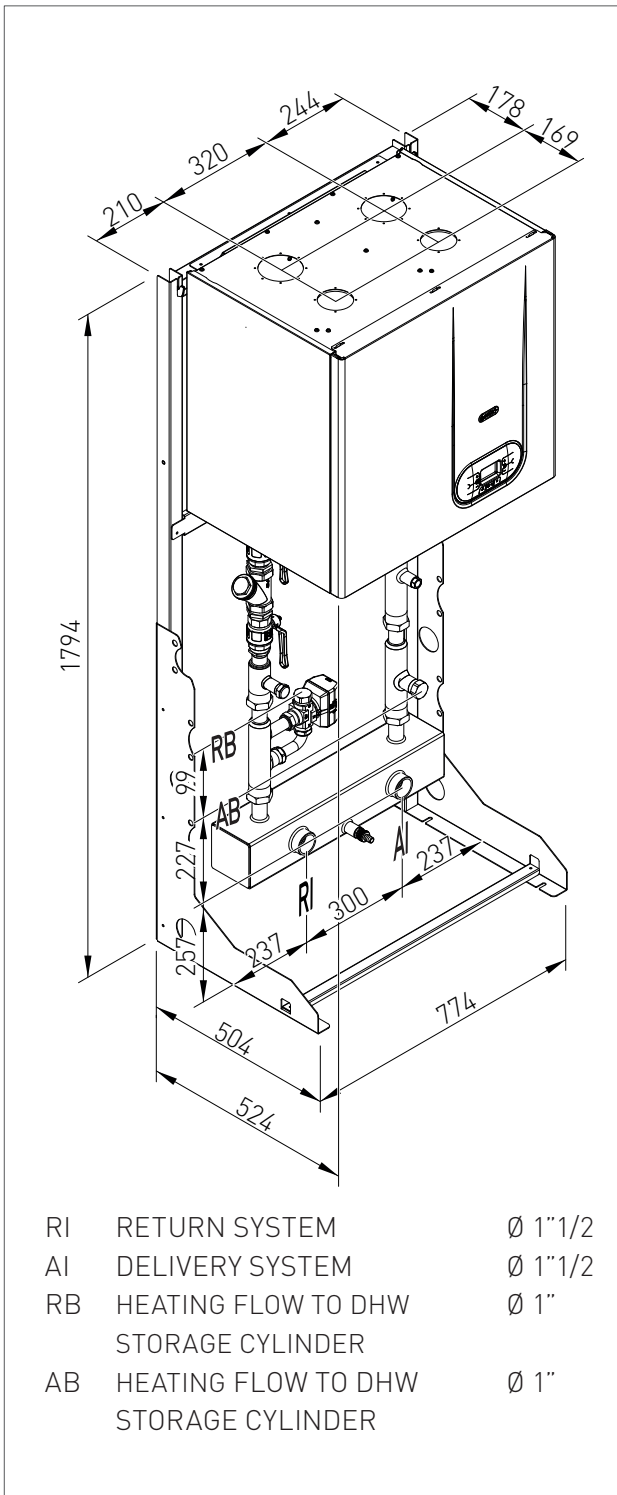
1.1.5. JIG



1.1.6. OVERALL DIMENSIONS OF THE HEATING ONLY MODULE



1.1.7. OVERALL DIMENSIONS OF THE MODULE FOR REMOTE BOILER SUPPLY

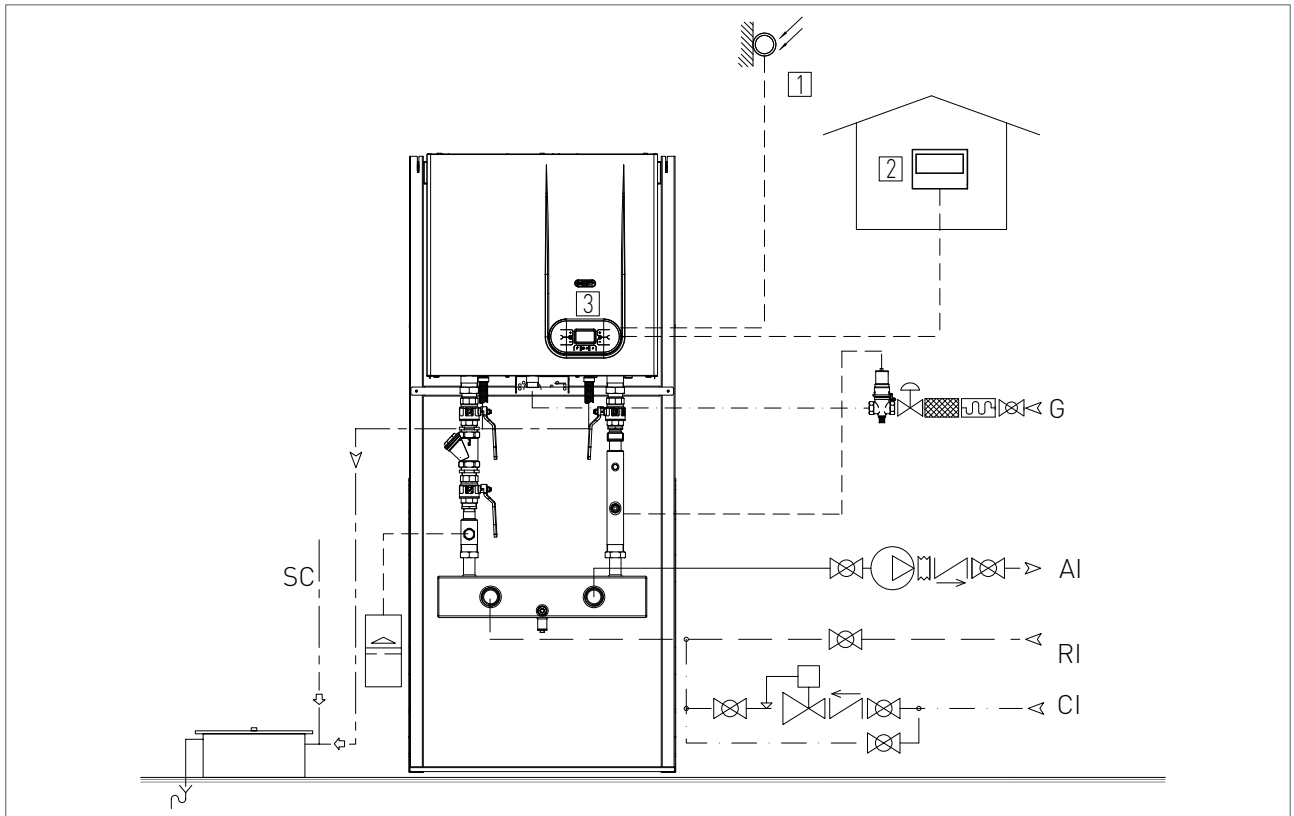


1. INSTALLATION

1.1.8. MECHANICAL SYSTEM DIAGRAM

HEATING ONLY INSTALLATION

The boiler can manage a heating system at a fixed point delivery temperature or in climatic compensation with an external probe, managing the modulation according to the actually requested thermal load.



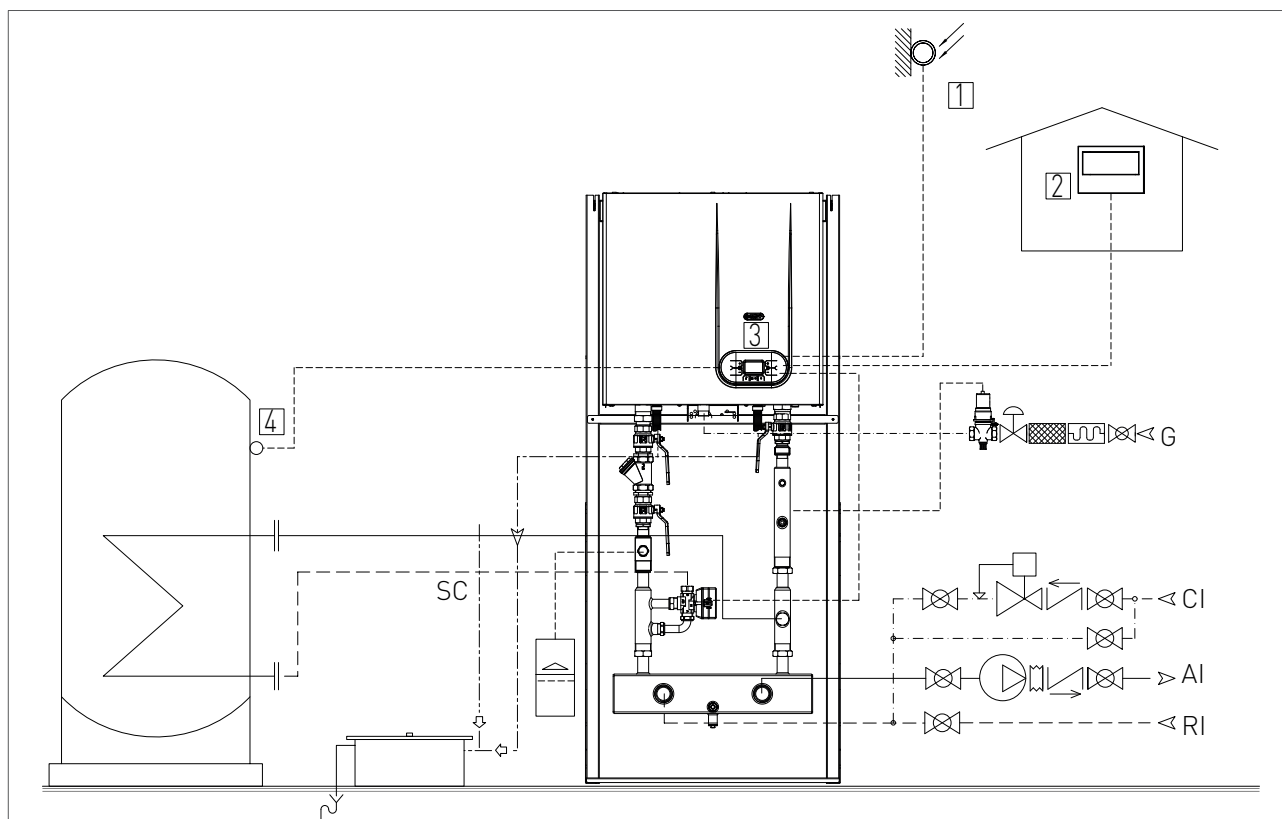
DESCRIPTION

- 1 EXTERNAL PROBE
- 2 REMOTE OPEN THERM
- 3 CONTROL PANEL
- AI LOAD SYSTEM
- RI RETURN SYSTEM
- CI DELIVERY SYSTEM
- G GAS
- SC FUME EXHAUST SYSTEM CONDENSATE

HEATING INSTALLATION + REMOTE BOILER SUPPLY SYSTEM

The boiler can manage a heating system at a fixed point delivery temperature or in climatic compensation with an external probe, managing the modulation according to the actually requested thermal load.

The boiler probe activates the system in order to pre-heat the boiler, the boiler will be put into domestic circuit mode and the deviating valve switches to the remote boiler.



DESCRIPTION

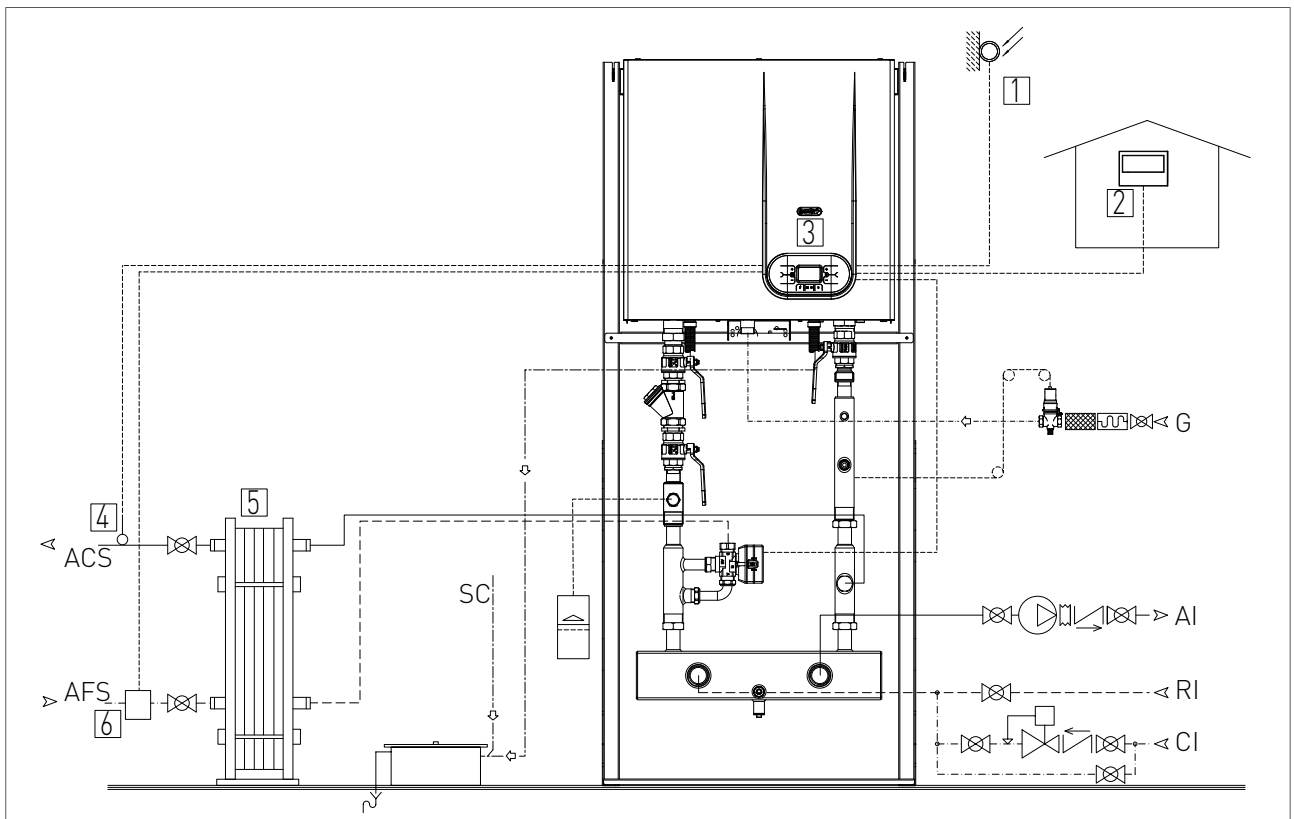
- | | |
|----|--------------------------------|
| 1 | EXTERNAL PROBE |
| 2 | REMOTE OPEN THERM |
| 3 | CONTROL PANEL |
| 4 | REMOTE BOILER NTC PROBE |
| AI | LOAD SYSTEM |
| RI | RETURN SYSTEM |
| CI | DELIVERY SYSTEM |
| G | GAS |
| SC | FUME EXHAUST SYSTEM CONDENSATE |

1. INSTALLATION

HEATING INSTALLATION + REMOTE HEAT EXCHANGER FOR INSTANTANEOUS D.H.W. PRODUCTION

The boiler can manage a heating system at a fixed point delivery temperature or in climatic compensation with an external probe, managing the modulation according to the actually requested thermal load.

In the version with heat exchanger for instantaneous D.H.W. production, the flow-meter at cold water inlet, detects the sanitary request, switches the diverter valve on the exchanger and activates the boiler in sanitary mode. The NTC temperature probe at the exit of the exchanger detects the D.H.W. outlet temperature ensuring the Setpoint set by the user.



DESCRIPTION

- 1 EXTERNAL PROBE
- 2 REMOTE OPEN THERM
- 3 CONTROL PANEL
- 4 NTC PROBE
- 5 DHW PLATE EXCHANGER
- 6 FLUXMETER
- ACS DOMESTIC HOT WATER OUTLET
- AFS DOMESTIC COLD WATER INLET
- AI LOAD SYSTEM
- RI RETURN SYSTEM
- CI DELIVERY SYSTEM
- G GAS
- SC FUME EXHAUST SYSTEM CONDENSATE

1.1.9. SYSTEM ACCESSORIES

DIVERTER VALVE KIT

The kit allows combining the thermal generator with a remote boiler for the production of domestic hot water (cod. 26097LP, fig. 1).

In this configuration, it is possible to manage the domestic circuit in an independent manner, by implementing a diverter valve which ensures the power supply of the serpentine upon the pre-heating request of the boiler.

The kit is completed with a probe for the external boiler and with a power supply cable of the diverter valve which is connected directly to the electronic board of the generator.

INSTANTANEOUS D.H.W. PRODUCTION KIT

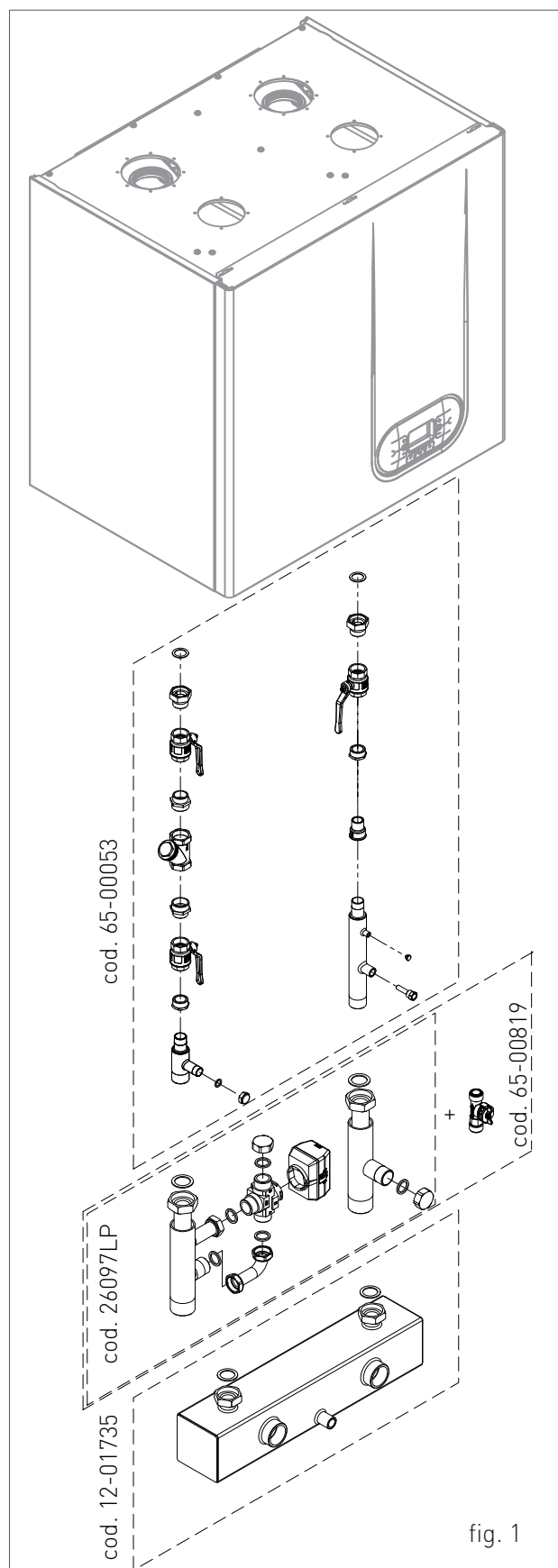
The kit allows instantaneous D.H.W. production management through a remote heat exchanger. The instantaneous D.H.W. production kit (code 65-00819, fig. 1) includes the diverter valve kit described above and a flow-meter to be installed at cold water inlet.

HYDRAULIC SEPARATOR

In order to always ensure to the heat generator an operation without problems related to two low heat capacities (due, for example, to closed radiators or to impurities of various type), it is strictly necessary to install a trip unit, as an alternative, a heat exchanger which separates the hydraulic circuit.

Choosing a separation system in the detriment of another is exclusively imposed by the type of the system.

In case of a new system or in case of replacement of the generator with the possibility to wash the water pipes, it is recommended to install a hydraulic separator (code 12-01735, fig. 1).



1. INSTALLATION

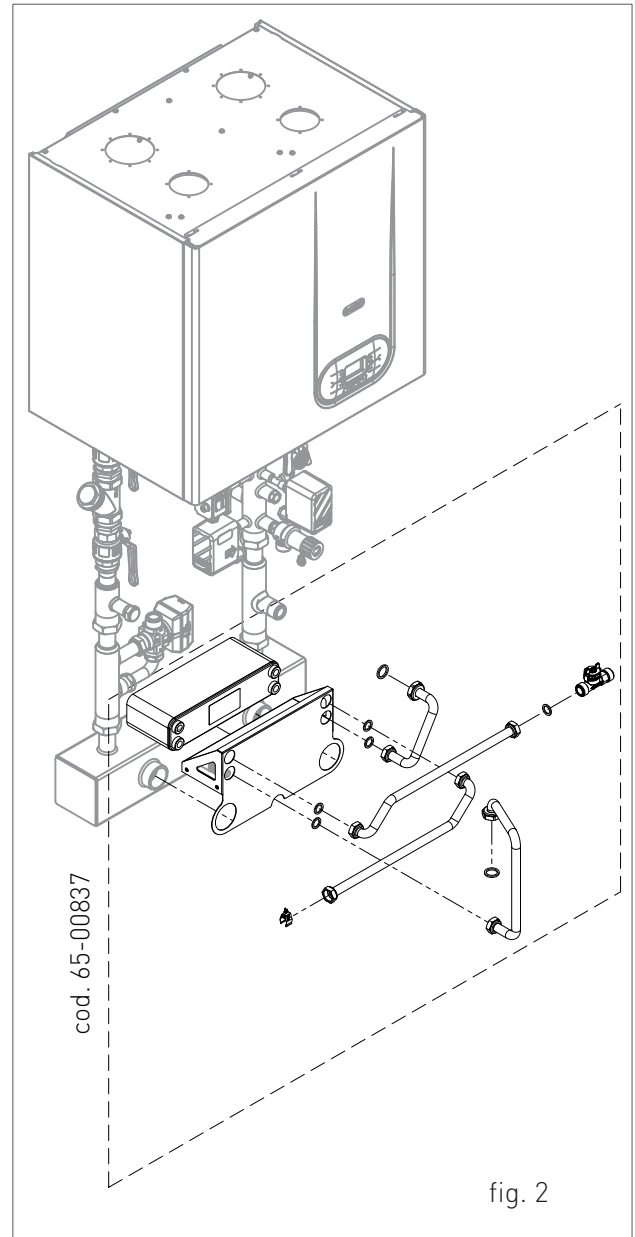
The hydraulic separator creates an area with reduced load loss, which allows hydraulically rendering independent the primary and secondary circuits connected to it. With the hydraulic separator you can thus have a production circuit with constant heat capacity and a distribution circuit with variable heat capacity, operation conditions typically specific to modern air-conditioning systems.

Particular attention should be given, during the design phase, to possible temperature variations to which the circuits can be subject due to the generated mixing inside the hydraulic separator.

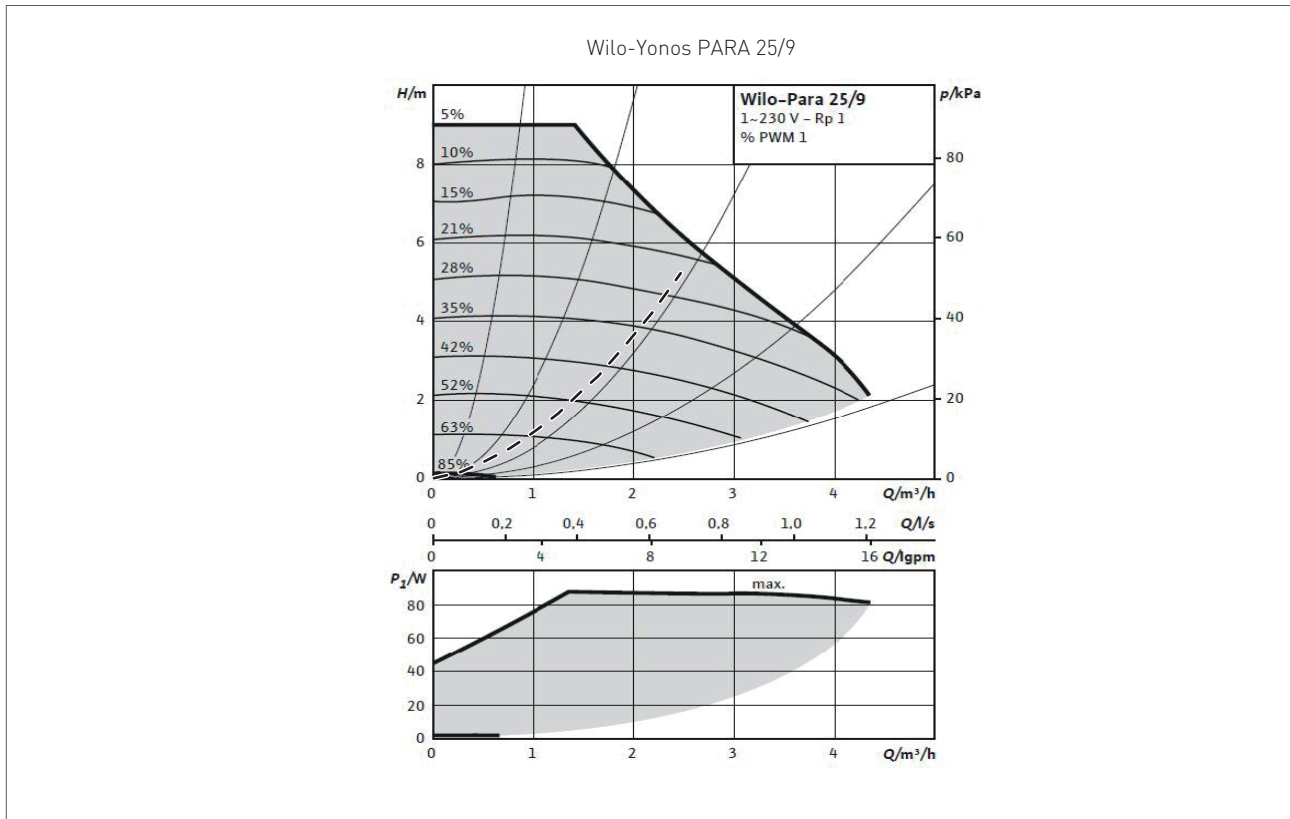
A secondary circuit with a heat capacity higher than the circulatory one of the primary circuit generates, in fact, by means of the hydraulic separator, a delivery temperature lower than the one of the primary circuit.

INSTANTANEOUS D.H.W. PRODUCTION KIT - R1K 75-100 - ON UNIVERSAL FRAME

The kit, in combination with a plate exchanger, allows instantaneous D.H.W. production. It is installed on the universal frame. The kit (Code 65-00837, fig.2), in addition to the pipes and the and a fixing bracket, includes a plate exchanger (50 plates), a flow meter to be installed onto the inlet cold water pipe and a D.H.W. clip sensor to be fitted onto the DHW outlet pipe.



1.1.10. CIRCULATOR PREVALENCE/FLOW DIAGRAM



--- Load losses of only one active unit

2. INSTALLATION

1.1.11. GENERATOR INSTALLATION

MINIMAL TECHNICAL SPACES

In order to allow the access inside the boiler for maintenance operations, you have to respect the minimum technical spaces indicated in figure 1.



WARNING

The incorrect slopes of the device can cause the incorrect discharge of condensate by means of the discharge duct with consequent condensate stagnation inside the condensate module.



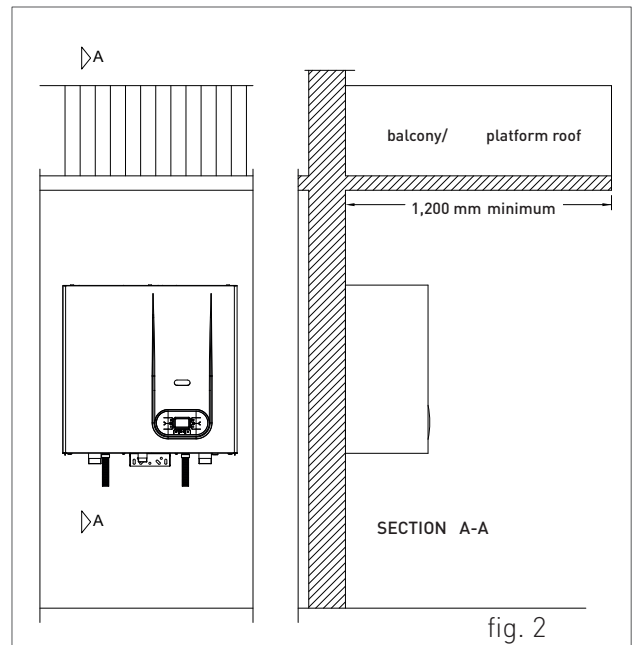
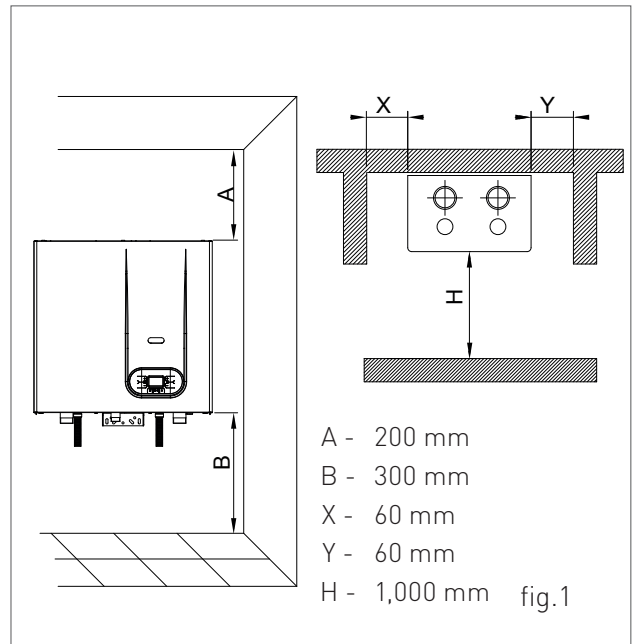
WARNING

The boiler must be installed only on a vertical solid wall, able to sustain its weight.



WARNING

The boilers have the electrical protection degree IPX5D. The outdoor installation in partially protected environments (platform roof, balcony - see fig. 2) is allowed in compliance with the related standards. The Company is not held liable for installations in environments with a temperature under -10°C or non-compliant with the above indications.



WALL MOUNTING BY MEANS OF FIXING BRACKET

**WARNING**

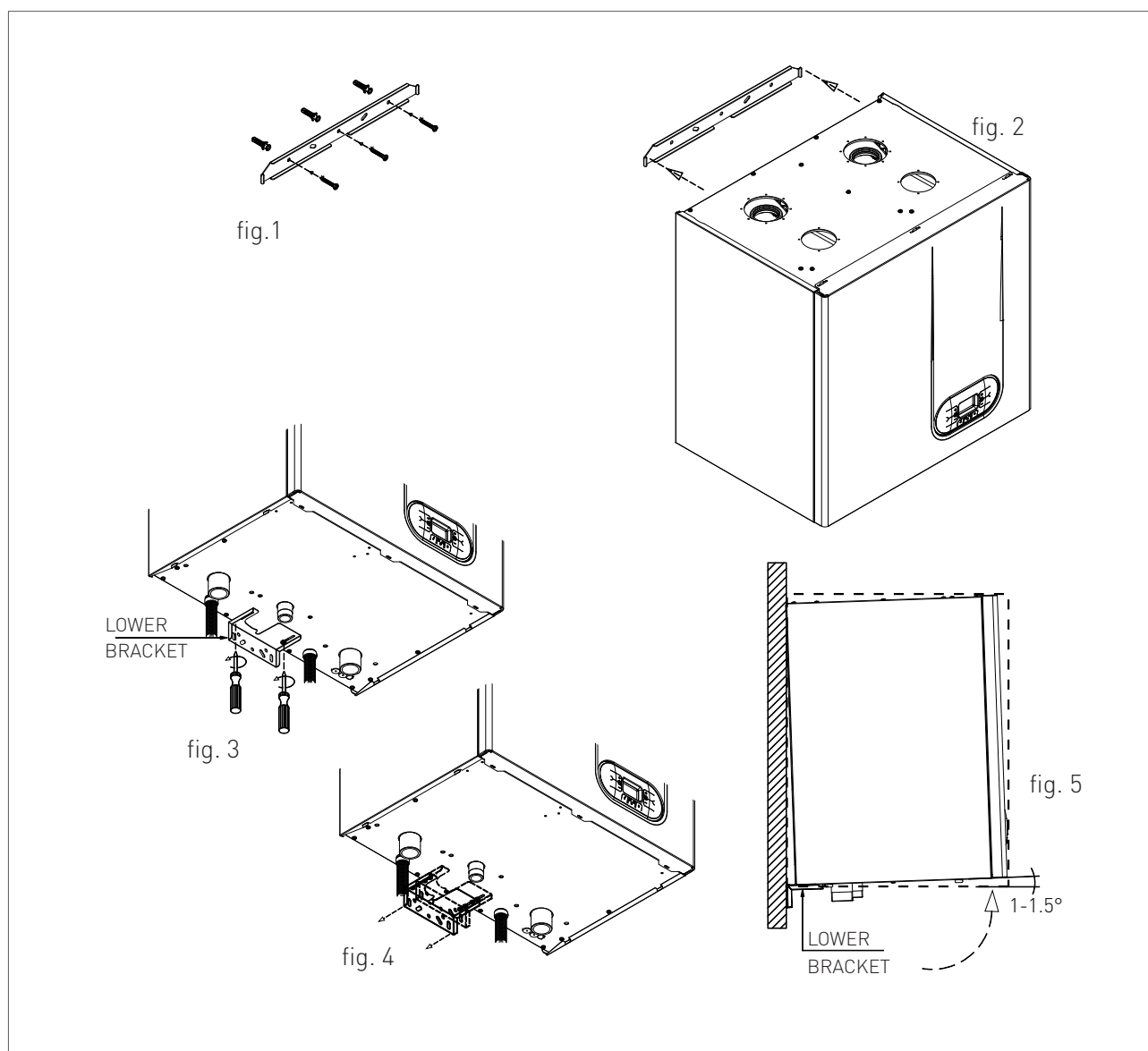
In order to avoid condensate stagnations inside the condensate module, check that the boiler is slightly inclined towards the rear part ($1-1.5^\circ$) in order to evacuate the condensate.

**WARNING**

The device must be installed only on a vertical solid wall, able to sustain its weight.

In order to fix the thermal generator on the wall, proceed as follows:

1. fix on the wall (fig. 1), using the fisher, the upper bracket;
2. hook the eyelets of the boiler into the adequate hooks (fig. 2);
3. unscrew the fixing screws of the lower bracket (fig. 3) ensuring the free sliding of the bracket (fig. 4) towards the boiler;
4. adjust the inclination of the boiler (fig. 5) by sliding the lower bracket ensuring an inclination of the boiler, against the vertical, of about $1-1.5^\circ$.



2. INSTALLATION

INSTALLATION ON SELF-SUPPORTING FRAME

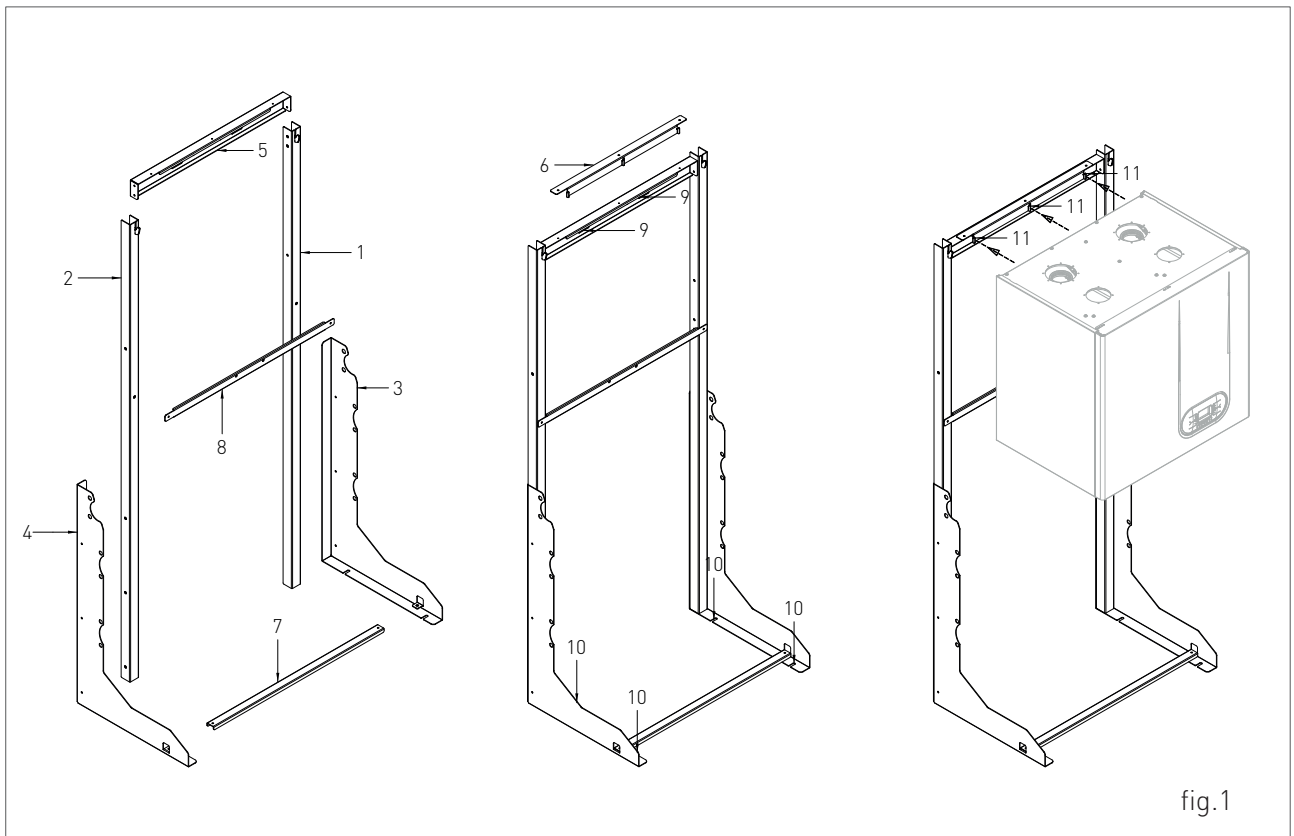


WARNING

During the installation of the heat generator, pay maximum attention to the installation of the self-supporting frame. The frame must rest on a perfectly flat surface and, when supported against the wall, the latter must be perfectly angled. The incorrect slopes of the device can cause the incorrect discharge of condensate by means of the discharge duct with consequent condensate stagnation inside the condensate module. The correct installation of the frame allows obtaining, acting on the lower bracket, a counterslope of the device against the perpendicular.

In order to mount the frame and therefore the generator, proceed as follows:

1. check the angle of the wall with the floor;
2. assemble the side profiles 3 and 4 on the pillars 1 and 2 (fig. 1);
3. assemble the side pillars 1 and 2 on the horizontal crossbeam 5;
4. assemble the central crossbeam 8 and the lower one 7;
5. complete the assembly, position the frame binding it to the wall 9 (if provided) and on the floor 10;
6. mount the upper bracket 6 and hook the eyelets of the boiler into the adequate hooks 11;
7. make sure that the frame is angled, adjust the inclination of the boiler by means of the lower bracket (see "Wall mounting by means of fixing bracket") ensuring an inclination of the boiler, against the vertical, of about 1-1.5°;
8. complete the installation by assembling the hydraulic components.



1. INSTALLATION

1.1.12. HYDRAULIC CONNECTION



DANGER

Make sure that the tubes of the water and heating plant are not used as grounding system for the electrical plant. There are not suitable for such use.



WARNING

To prevent voiding the warranty and to ensure the proper operation of the boiler, please wash the plant (if possible when hot) with suitable pickling or descaling solutions in order to remove the impurities coming from tubes and radiators.



WARNING

If the boiler is installed in a hydrostatic position lower than those of the user devices (radiators, fan coils, etc.), mount the shut-off valves on the domestic water heating circuit to ease the performance of the maintenance operations if it is necessary only to empty the boiler.



WARNING

When connecting the equipment to water supply, avoid excessive bending and recovery operations from any off axis positioning that may damage the tubes causing leaks, malfunction or early wear.



WARNING

In order to avoid any vibrations and noises, do not use tubes with small diameters or elbows with small radius and significant cut-off of the passage sections.



WARNING

Connect the boiler safety drains to a discharge funnel. The manufacturer is not responsible for any floods due to safety valve opening in case of plant overpressure.

DOMESTIC CIRCUIT

In order to prevent limestone build-up and damages to the domestic water heat exchanger, the hardness of the domestic supply water should not exceed 15 °f. However, please check the characteristics of the water used and install suitable treating devices.

The heat exchanger coil cleaning frequency depends on the hardness of the supply water and on the presence of solid residues or impurities inside the water that are often present in case of recently installed plants. Based on the characteristics of the infeed water, you should install suitable water treating devices, for residues presence please install a line filter.

The pressure of the cold infeed water should be between 0.5 and 6 bar. In case of greater pressure values, please install a pressure reducer upstream from the boiler.

HEATING CIRCUIT

In order to avoid any scale or deposits on the primary exchanger, the hardness of the heating circuit infeed water should not exceed 25 °f. However, please check the characteristics of the water used and install suitable treating devices.

This treatment is mandatory if frequent episodes of return water or partial or total emptying of the plant occur.



WARNING

In case the boiler is installed as part of a low temperature circuit, please install a safety thermostat on the heating flow, which can stop the boiler activity in case of high heating flow temperature. The company assumes no liability for damage caused to persons or for failure to comply with these instructions.

1.1.13. CHARACTERISTICS OF THE WATER OF THE SYSTEM

For a correct operation of the system, it is necessary to make sure that:

1. The system does not present losses or that the most obvious are at least eliminated;
2. If an automatic filling system is present, a litre meter must be installed in order to precisely know the extent of any losses;
3. The filling in of the system and the top ups are performed with softened water in order to reduce the total hardness. The water must also be treated in order to maintain the pH within the provided threshold so as to avoid corrosion phenomena.
4. Either on new systems or on replacements, the system must be fitted with efficient systems which ensure the elimination of the air and impurities: Y filters, micro impurity separators and micro bubbles of air separators;
5. Avoid draining the water of the system during the routine maintenance even if it is about apparently insignificant quantities: for example, in order to clean the filters, provide the system with adequate shut-off valves;
6. Always perform an analysis of the water of the system before opening the communication between the new generator and the system, in order to establish if the parameters present in the water indicate the need to fully drain the system, to use the water already present in the system or to chemically wash the system using utility water adding a detergent when it is suspected that the system might be dirty or particularly clogged and at the next loading with new treated water.

Water treatment

In order to preserve the integrity of the water-fume exchanger and to guarantee optimal thermal exchanges, it is necessary that the water of the primary circuit, circulating inside the exchanger of the condensate boiler, has the characteristics defined and constant in time. To obtain this, it is fundamental to perform a series of system preparation and maintenance operations such as:

- washing the system;
- check the characteristics of the water of the system;

The type of treatment to be performed will be chosen based on the characteristics of the water to treat, of the type of system and on the requested purity limits

Oxygen

A certain amount of oxygen always enters the system, both during the filling phase and during the use in case of reintegration or presence of hydraulic components without oxygen barriers. The reaction between the oxygen and the stainless steel creates corrosion and forms sludge. While the water fume exchanger is made of stainless steel, and therefore it is not subject to corrosion, the sludge created in the carbon steel system is deposited in the warm points, including the exchanger. This has the effect to reduce the heat capacity and thermally insulate the active parts of the exchanger, which might cause damages.

The precautions to limit the phenomena are:

- Mechanical systems: a deaerator combined with a sludge remover, correctly installed, reduce the quantity of oxygen circulating inside the system.
- Chemical systems: the additives allow the oxygen to dissolve in water.

Hardness

The filling and make-up water hardness brings a certain amount of limestone into the system. It attacks the warm parts of the exchanger, thus creating load losses and thermal insulation losses on the active parts. This phenomena can cause damages.

The filling and make-up water of the system, if it does not fall under the values indicated below, should be softened. Moreover, additives can be added in order to maintain the limestone into the solution. The hardness must be periodically checked and registered.

Acidity	7 < pH < 8.5	
Conductivity	< 400	µs/cm (at 25°C)
Chlorides	< 125	mg/l
Iron	< 0.5	mg/l
Copper	< 0.1	mg/l

If the above indicated limits are exceeded, a water must be chemically treated.

The type of treatment to be performed will be chosen based on the characteristics of the water to treat, of the type of system and on the requested purity limits.

1. INSTALLATION

1.1.14. SYSTEM FILLING



WARNING

For system filling use only clean tap water. In order to prevent limestone build-up and damages to the domestic water heat exchanger, the hardness of the domestic supply water should not exceed 15° Fr. However, please check the characteristics of the water used and install suitable treating devices.



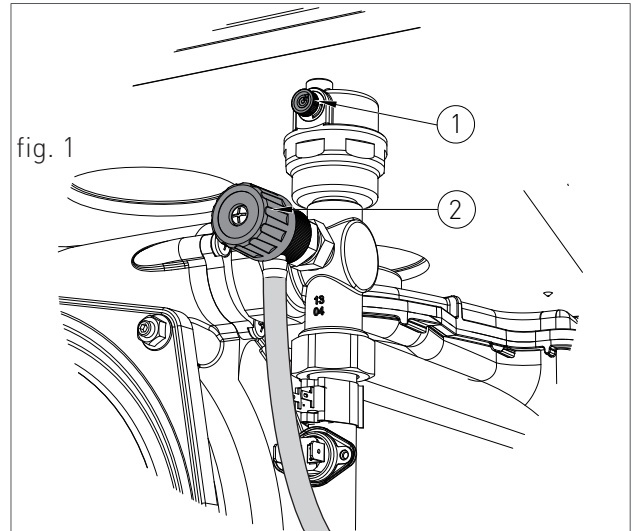
WARNING

If the system is filled by adding ethylene glycol-type chemical agents you have to install on the loading system a hydraulic trip unit in order to separate the heating circuit from the domestic circuit.

Before powering up the boiler, fill the system as follows:

1. slightly loosen the cap of the jolly valve placed on the top of the condensing block to release the air from the top of the system (1-fig.1);
2. check that the jolly valves vent the air present in the system are not blocked;
3. connect a rubber pipe to the draining tap placed on top of the condensing heat exchanger (2-fig.1);
4. open the general domestic water input tap and load the system by exhaling all the air;
5. use pressure gauge present in the system to make sure that the system pressure reaches the design value;
6. after performing this operation, make sure that the loading tap is properly closed.
7. Open the air relief valves of the radiators and check the air removal process. When the water starts to leak close the radiators air relief valves.

8. If after performing these operations you observe a decrease of the water pressure inside the system, open once again the loading tap until the pressure gauge reaches the design pressure.



1. INSTALLATION

1.1.15. CONDENSATE DRAIN

FILLING THE CONDENSATE DRAIN SIPHON

Before starting the boiler you have to fill the condensate collection siphon in order to avoid fuel reflux through the siphon.

Fill the condensate collection siphon as follows:

- › Unscrew the screw “P” (fig. 1), extract the siphon and fill it with water up to the highest point “T” (fig. 1);
- › Connect the adequately prepared flexible condensate drain tube to a disposal system (it is necessary to neutralise the condensate if the material out of which the canal system where the condensate arrives is composed presents a corrosion risk; please see paragraph ‘CONDENSATE NEUTRALISER’). The condensate can be drained directly in the sewerage system by inserting an easily serviceable siphon.



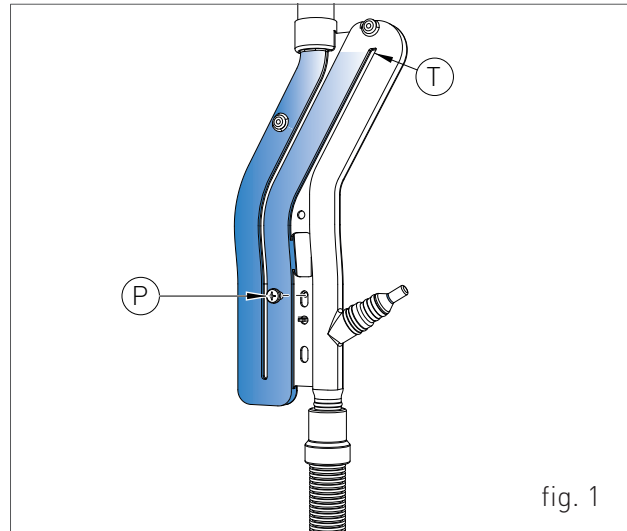
WARNING

After the first months of operation of the device, it is recommended to clean the condensate collection siphon from any deposits deriving from the first transit of the condensate inside the technical components of the boiler. Such deposits might cause a malfunction of the siphon.

CONDENSATE DRAIN

The boiler produces a significant quantity of condensate during operation. This condensate has an acid pH of 3-5. Observe the national standard in force and the local regulations for the disposal of the condensate produced by the boiler.

The designer, according to the power of the system and the intended use of the building, is bound to evaluate the acceptance of systems in order to neutralise the acid condensate.



The system must be performed so as to avoid the freezing of the condensate. Before putting into operation the device, check the correct evacuation of the condensate.



WARNING

Before connecting the condensate collection siphon to the drain tube, check that the slope of the boiler is ensured according to the indications from chapter ‘INSTALLATION OF THE BOILER’.



WARNING

Correctly connect the condensate collection siphon of the boiler to a draining system by adding the slope to the drain of the condensate of the fume exhaust duct. Where possible, it is recommended to perform such connection by means of a collection glass in order to check the correct discharge of the condensate avoiding stagnations that might cause dangerous returns of the condensate to the boiler.

In order to connect the condensate draining to the draining system, use only corrosion-resistant materials with an adequate diameter.

1. INSTALLATION

CONDENSATE NEUTRALISER

Assemble the condensate neutralisation box, fitted with granulate and active carbons for a treated power up to 350 kW (see fig.2). The device allows neutralising the condensate which is collected inside the boiler and/or in the fume discharge systems made of stainless steel, plastic, glass or ceramic.

The acid condensate, inserted into the neutralisation box, follows a mandatory path for two phases; the first one, filtration of nitrates and sulphates by means of active carbons contained in the first tube line, in the second one, the pH is increased.

The acidity of the condensate can be checked by using litmus paper in order to determine the pH. Then, the neutralised condensate can be transported into the sewage system.

MAINTENANCE

The pH parameters must be comprised between $< 7 \text{ and } 8.5 >$.

Every six months, it is necessary to establish the PH of the treated condensate inside the neutraliser. Immerse a litmus paper (or a suitable digital tool) in the condensate near the tapped draining connection for about 2 seconds and thus lay it on a white paper. After about 30 seconds, it is possible to compare with the coloured scale. The neutral point is on the value 6.8-7; at a lower value, the condensate is acid, at a higher value, it is base].

If necessary, replace the active carbon and the reagent granulate.



1.1.16. ANTI-FREEZE PROTECTION

The boiler is protected against freezing thanks to the electronic board preparation with functions that start the burner and heat the concerned parts when their temperature goes below the minimum pre-set values, protecting the boiler up to an external temperature of -10 °C.

The device starts when the hot water temperature goes below 8 °C, automatically starting the burner until the heating flow water temperature reaches the 30°C and, in presence of a return sensor, until the heating return water temperature reaches the 20°C.

The system starts even if on the display appears "OFF", as long as the boiler is connected to the power (230 V) and gas supply.

For long periods of standby, please empty the boiler and the plant.

If the temperature goes below -10° centigrades, please fill the plant with anti-freeze liquid (CLEANPASS FLUIDO AG cod. 98716LA) and insert and electrical resistances kit (cod. 82259LP).

DILUTION PERCENTAGE OF CLEANPASS FLUIDO AG

ANTIFREEZE - ETHYLENE GLYCOL (%) VOLUME	TEMPERATURE FREEZING POINT (°C)
20	-7.5
30	-13
35	-18
40	- 22.5
45	-28
50	-33.5
55	-42
60	-50

RECOMMENDED MINIMUM PERCENTAGE OF GLYCOL : 20 %

1. INSTALLATION

1.1.17. GAS CONNECTION



DANGER

In order to connect the gas connector of the boiler to the supply pipe use a stop seal of an appropriate size and material. The use of hemp, teflon tape or similar materials is strictly forbidden.

BEFORE PERFORMING THE GAS CONNECTION, MAKE SURE THAT:

- › the gas adduction line complies with the standards and regulations in force;
- › the tubing's section suits the requested capacity and its length;
- › the tubing is equipped with all safety and control devices required by the standards in force;
- › the internal and external seals of the gas infeed plant are checked;
- › the device is suitable for use with the type of gas available by checking the boiler data plate (placed on the inner side of the front casing. If they do not match you must take the necessary measures to adapt the boiler to another type of gas (see chapter GAS TRANSFORMATION);
- › the gas supply pressure falls within the values indicated on the data plate.

1.1.18. ELECTRICAL CONNECTION



DANGER

The equipment is electrically safe only if it is properly connected to an efficient grounding system, performed in compliance with the safety standards in force. You should check this essential safety requirement. If in doubt, request an accurate check of the electrical system performed by qualified staff, as the manufacturer is not responsible for any damages caused by lack of grounding system.

- › Make sure that the electrical systems is suitable for the maximum power absorbed by the equipment, value indicated on the data plate.
- › make sure that the cables section is appropriate for the maximum power absorbed by the equipment and that it is however not lower than 1 mm².
- › The equipment works with alternating current of 230 V and 50 Hz. The electrical connection must be performed using an all-pole switch with an opening of at least 3 millimetres between contacts placed upstream from the device.



WARNING

Make sure that the phase and neutral cables connection is performed in compliance with the wiring diagram (see chapter POWER SUPPLY).



WARNING

It is strictly forbidden the use of adaptors, multiple plugs and/or extensions for the general power supply of the equipment from the electrical network.

1.1.19. POWER SUPPLY

To power the boiler connect the electrical cables to the terminal inside the control panel as follows:

**DANGER**

Cut off the voltage from the main switch.

- › remove the boiler's front casing (refer to chapter ACCESSING THE BOILER).
- › loosen the two screws and remove the plate "A" (see fig. 1).
- › after removing the plate, connect the electrical cables to terminal "B" (see fig. 1):
 - the yellow/green cable to the terminal marked with grounding symbol "⊕".
 - the blue cable to the terminal marked with "N".
 - the brown cable to the terminal marked with "L".

After performing these operations, remount plate "A" and the front casing.

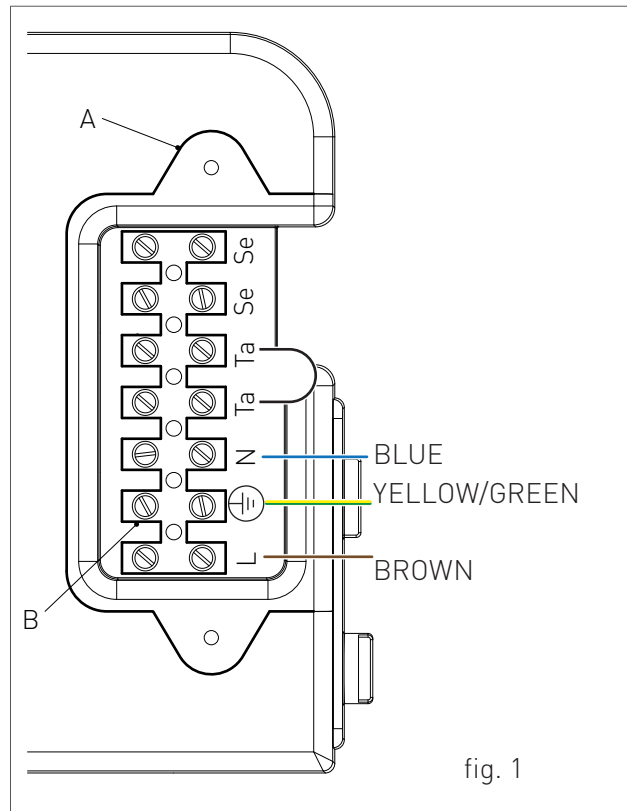


fig. 1

2. INSTALLATION

1.1.20. OPTIONAL ELECTRICAL CONNECTIONS

The cables should be inserted inside the boiler using the cable glands 'P1' and 'P2' placed under the board (see fig. 1). Make a hole on the cable gland, smaller than the cable diameter, to make sure that the air cannot pass through.

To wire the optionals below:

- **(SE) EXTERNAL TEMPERATURE PROBE CODE 73518LA**
- **(TA) ENVIRONMENT THERMOSTAT**
- **(CR) REMOTE CONTROL OPEN THERM CODE 40-00017**

use the terminal placed inside the control panel as follows:



DANGER

Cut off the voltage from the main switch.

- › remove the front casing of the boiler (see chapter ACCESSING THE BOILER); unscrew the screws and remove plate "A" (see fig. 2).
- › After removing the plate, connect the electrical cables to terminal "B" (see fig. 2):
 - For the external temperature Probe connect the two non-polarized conductors to the Se-Se contacts.
 - For the environment Thermostat or Remote control, first remove the bridge on the Ta-Ta contacts and then connect the two non-polarized conductors to the Ta-Ta contacts.

After performing these operations, remount plate "A" and the front casing.

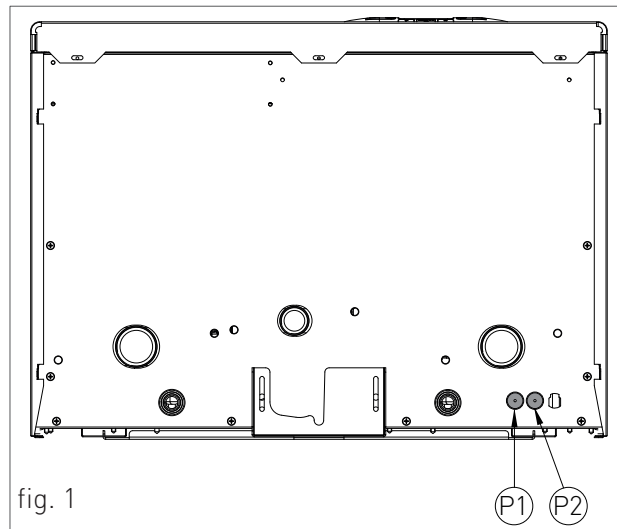


fig. 1

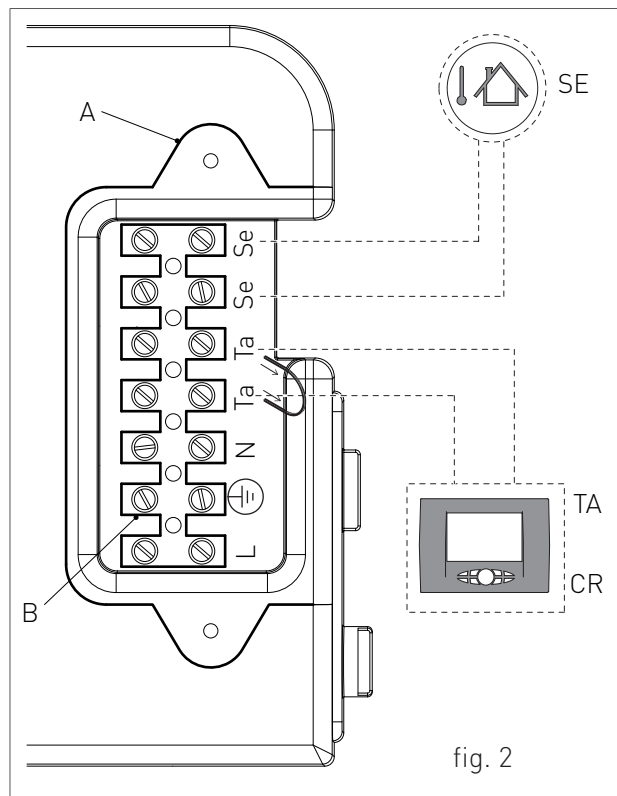


fig. 2

NOTA BENE: In case of simultaneous presence of external probe and remote control, the modulation board only sends the external temperature value to the remote device without using it for modulation. The communication between board and remote control takes place independently from the boiler's operating mode and after establishing the connection, the display shows the symbol .

1. INSTALLATION

To wire the optionals below:

- (TP) DOMESTIC HOT WATER PRE-HEATING DEACTIVATION TIMER

- BUS 0-10V

- (SVZ) ZONE VALVES MANAGEMENT KIT CONNECTED TO A REMOTE CONTROL COD. 65-00030

- (AG) GENERIC DEVICE. MAXIMUM CURRENT 3A WITH 250VAC (SEE RELAY MANAGEMENT AT PARAMETER P69)



DANGER

Cut off the voltage from the main switch.

- › remove the boiler's front casing (refer to chapter ACCESSING THE BOILER).
- › remove the back plate of the control panel (see chapter ACCESSING THE MASTER ELECTRONIC BOARD).
- › after removing the back plate, connect the items below to the electronic board (see fig. 1):

After performing these operations, remount the back plate and the front casing.

operate on the P.C.B. placed inside the GREY control panel as follows:

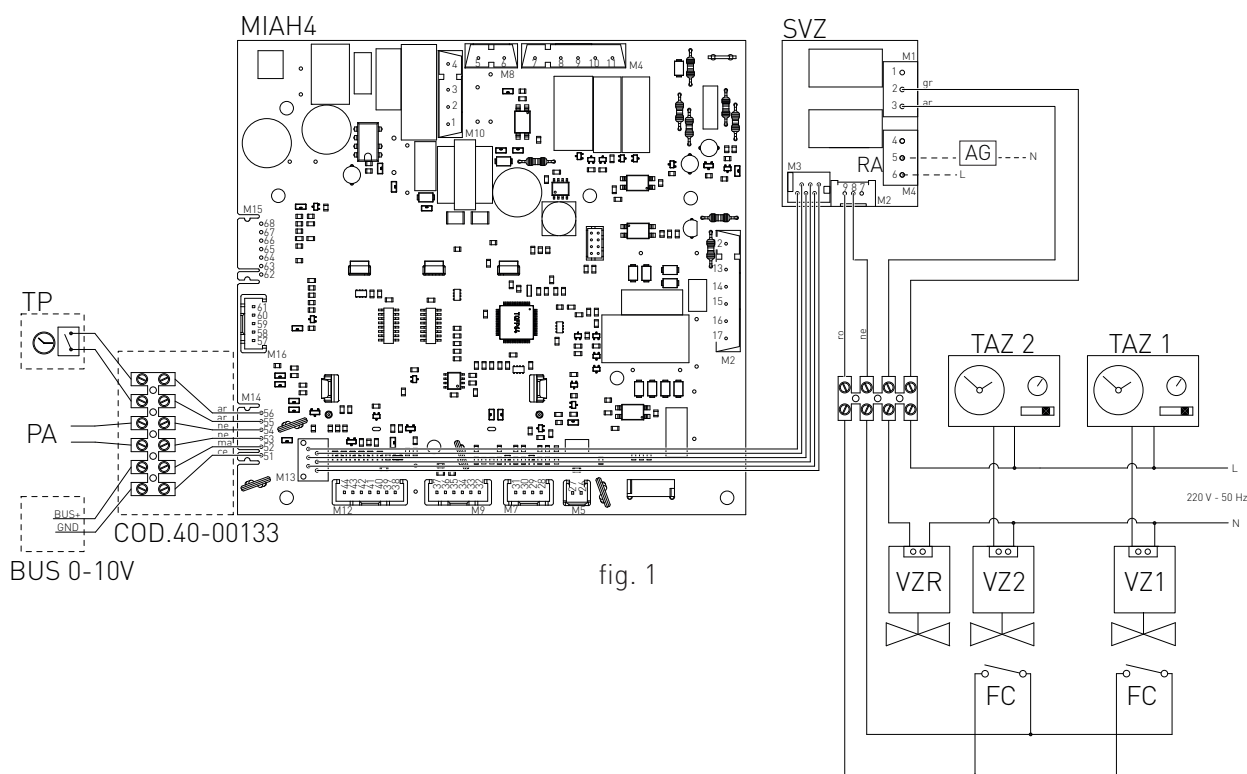


fig. 1

RA:	AUXILIARY RELAY
TAZ1:	ENVIRONMENT THERMOSTAT AREA 1
TAZ2:	ENVIRONMENT THERMOSTAT AREA 2
VZ1:	AREA 1 VALVE
VZ2:	AREA 2 VALVE
VZR:	REMOTE CONTROLLED AREA VALVE
PA:	AIR PRESSURE SWITCH

FC:	AREA VALVES LIMIT SWITCH
GR:	GREY
AR:	ORANGE
NE:	BLACK
MA:	BROWN
CE:	LIGHT BLUE
RO:	RED

1. INSTALLATION

REMOTE BOILER SYSTEM - BOILER PROBE AND DIVERTER VALVE CONNECTION

- clamp M9 - boiler probe: insert the boiler probe cable inside the panel inserting the terminals 35 and 34. It is not necessary to follow an order of wires.
- clamp M4 - diverter valve: connect the motor cable of the diverter valve by means of the molex clamp. Insert the cable inside the tool panel and connect the terminals of the cable to the clamp M4 paying attention to the combinations: blue – clamp no. 9; brown – clamp no. 8; black – clamp no. 10.

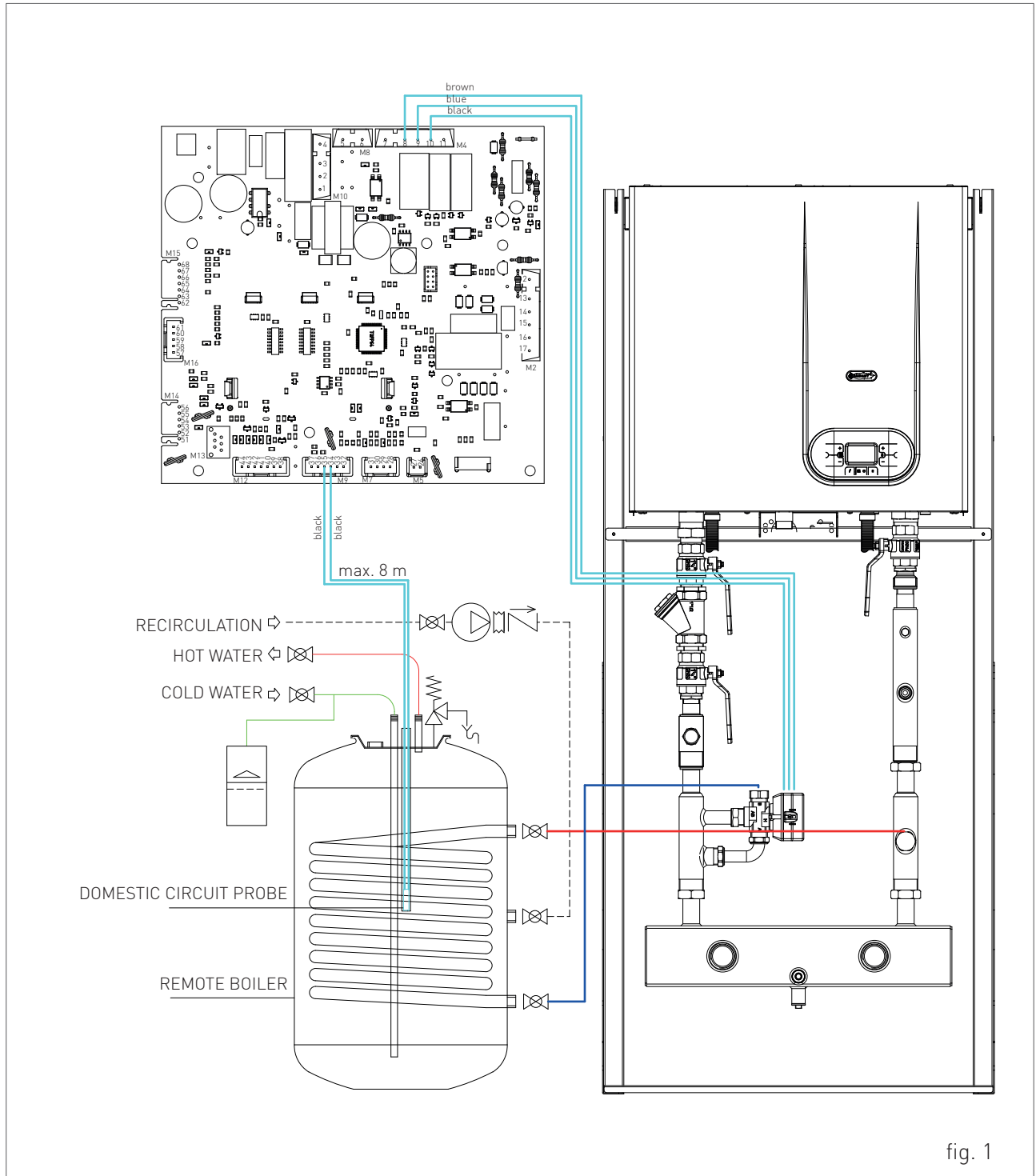
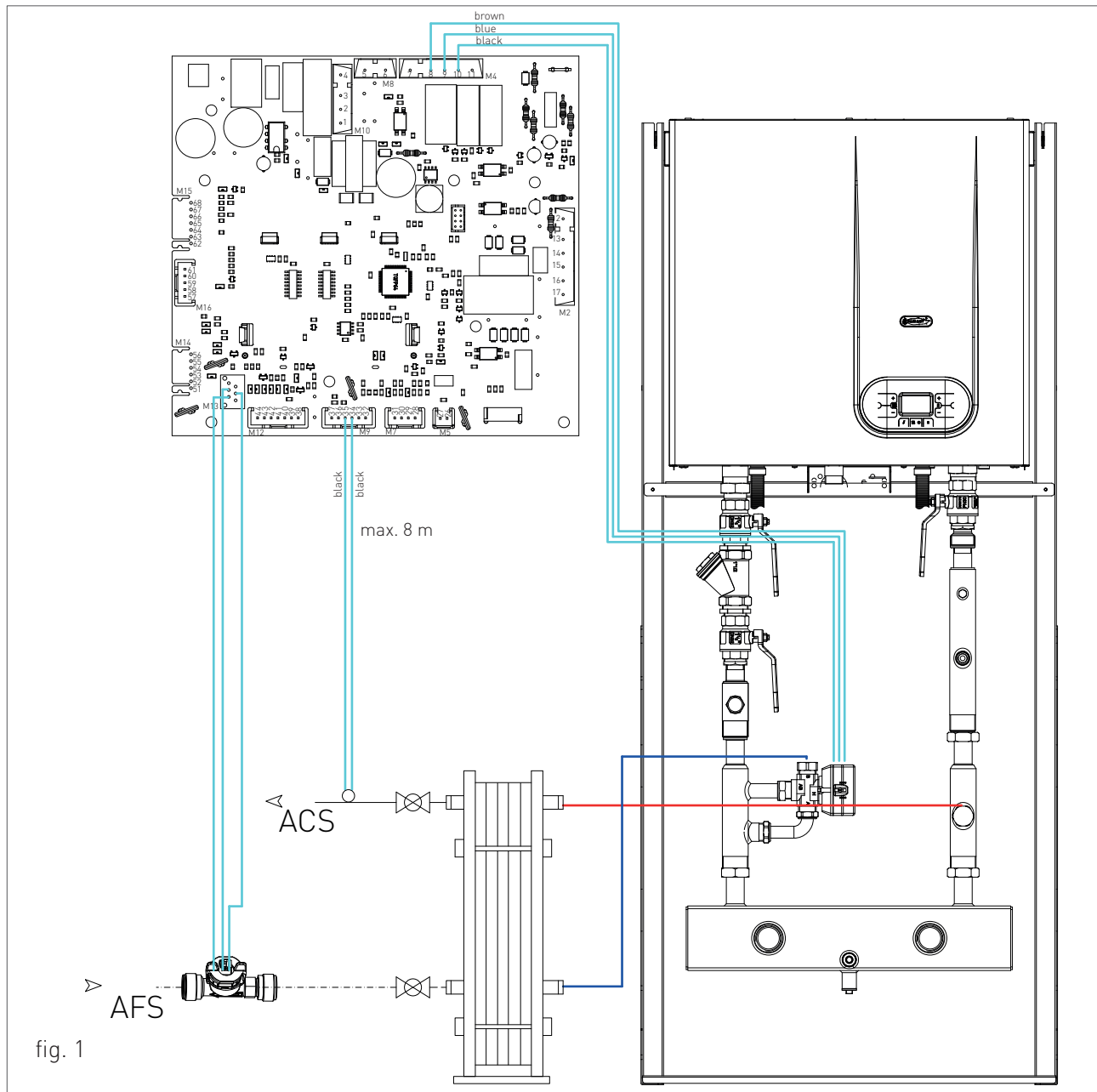


fig. 1

D.H.W. EXCHANGER SYSTEM CONNECTION

- clamp M9 - boiler probe: insert the boiler probe cable inside the panel inserting the terminals 35 and 34. It is not necessary to follow an order of wires.
- clamp M4 - diverter valve: connect the motor cable of the diverter valve by means of the molex clamp. Insert the cable inside the tool panel and connect the terminals of the cable to the clamp M4 paying attention to the combinations: blue – clamp no. 9; brown – clamp no. 8; black – clamp no. 10.
- clamp M13 - activation by external flow-meter: insert the cable inside the control panel and connect the cable terminal to clamp M13.



2. INSTALLATION

1.1.21. FUME EXHAUST FITTINGS



WARNING

In order to ensure proper operation and efficiency of the device you have to connect the boiler fume exhaust fitting to the fume exhaust duct using appropriate polypropylene flue fittings for condensing boilers. It is recommended to install discharge systems



WARNING

You cannot use traditional flue fittings for the discharge ducts of the condensing boilers, nor vice versa.



WARNING

Ducts and fume exhaust duct must be adequately sized, designed and built according to the standards in force. They must be made of material adequate to the purpose, with special corrosion resistance, smooth on the inside and with hermetic sealed type. In particular, the junctions must have a condensate guard. Moreover, provide adequate condensate draining points, connected to the siphon in order to avoid that the condensate produced in the chimney goes into the generators.

- › In order to discharge the fumes through a fumes exhaust duct carefully follow the technical standards in force.
 - › Make sure that the discharge tube does not protrude inside the fumes exhaust duct, stop before it reaches the inner surface of the latter.
 - › The discharge duct must be perpendicular with the wall of the fumes exhaust duct.
- › For all discharge ducts, with regard to the fumes path, you should provide an uphill slope (outwards) so as to favour the reflux of the condensate towards the combustion chamber, suitably realized to collect and drain acid condensate.
 - › In case of horizontal co-axial system installation, correctly place the horizontal co-axial terminal suitably realized to respect the slopes inside the fumes duct and to protect the air suction duct from adverse weather conditions.
 - › If a vertical fumes duct is installed, insert a condensate collection siphon at the base of the duct connected to the sewerage system of the location.

1.1.22. TYPES OF FUME EXHAUST SYSTEMS

KIT EK 50 - SPLIT SYSTEM Ø80 MADE OF POLYPROPYLENE

The two tubes system allows fumes discharge through the fumes exhaust duct and air intake from the environment.

Suitable only for condensing boilers.

It allows discharging fuel gas and air suctioning for combustion through two separated ducts.

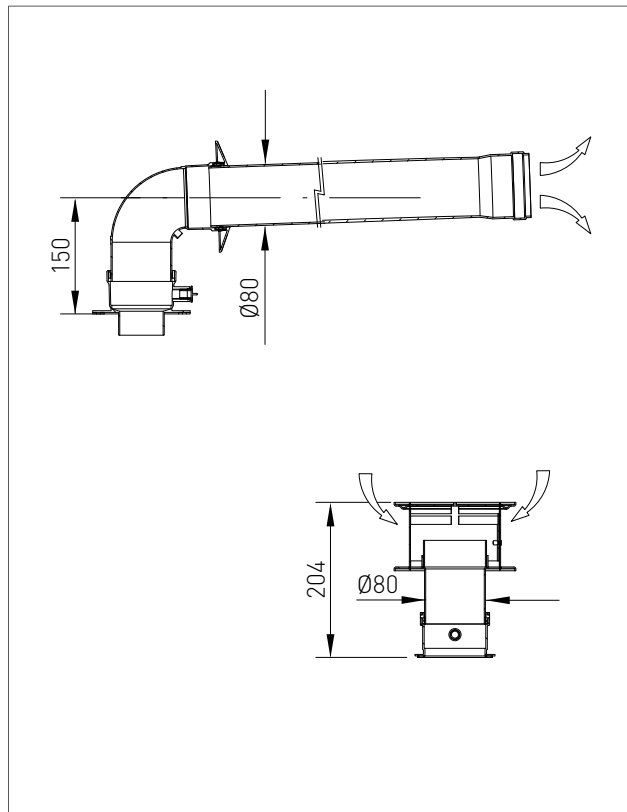
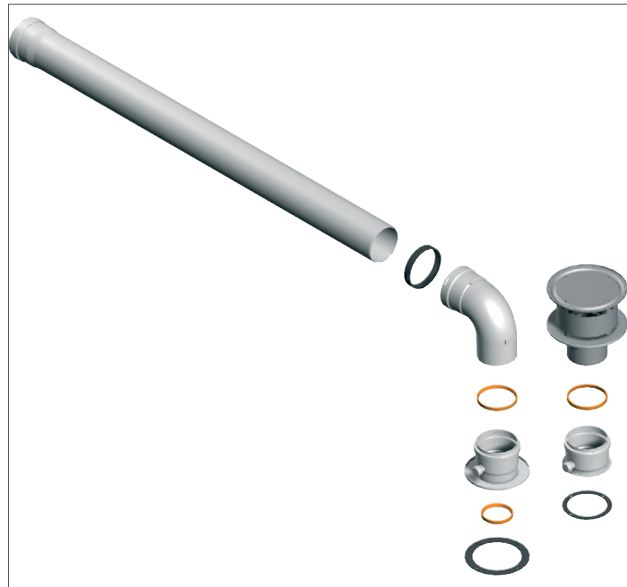
PLEASE SEE THE MAXIMUM DISCHARGE AND INTAKE LENGTH IN THE TABLE IN CHAPTER "TECHNICAL DATA".

The maximum discharge and intake length (or linear reference length) can be calculated summing the length of the linear tube and that equivalent to each additional curve with respect to the first.

Subsequent addition of a curve is similar to adding a linear length of tube according to the indications below:

curve Ø80 at 90°= 1.5 m

curve Ø80 at 45°= 0.8 m



1. INSTALLATION

KIT FK 50 - SPLIT SYSTEM Ø80 MADE OF POLYPROPYLENE

The two tubes system allows fumes discharge through the roof and air intake from the environment.

Suitable only for condensing boilers.

It allows discharging fuel gas and air suctioning for combustion through two separated ducts.

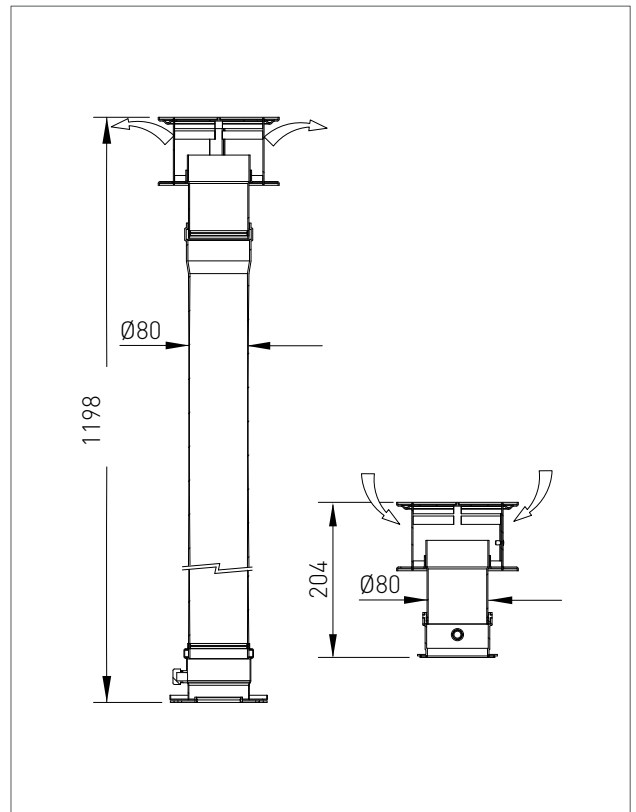
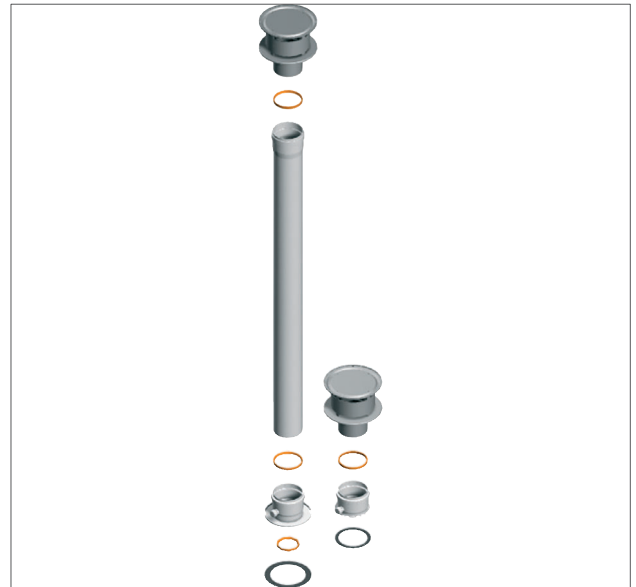
PLEASE SEE THE MAXIMUM DISCHARGE AND INTAKE LENGTH IN THE TABLE IN CHAPTER "TECHNICAL DATA".

The maximum discharge and intake length (or linear reference length) can be calculated summing the length of the linear tube and that equivalent to each additional curve with respect to the first.

Subsequent addition of a curve is similar to adding a linear length of tube according to the indications below:

curve Ø80 at 90°= 1.5 m

curve Ø80 at 45°= 0.8 m



1. INSTALLATION

KIT H – HORIZONTAL TWIN PIPE FLUE KIT Ø80/80, IN POLYPROPYLENE, ADJUSTABLE AT 360°.

The twin pipe allows flue discharge through the flue exhaust duct and air intake from outside.

Suitable only for condensing boilers.

It allows discharging fuel gas and air suctioning for combustion through two separated ducts.

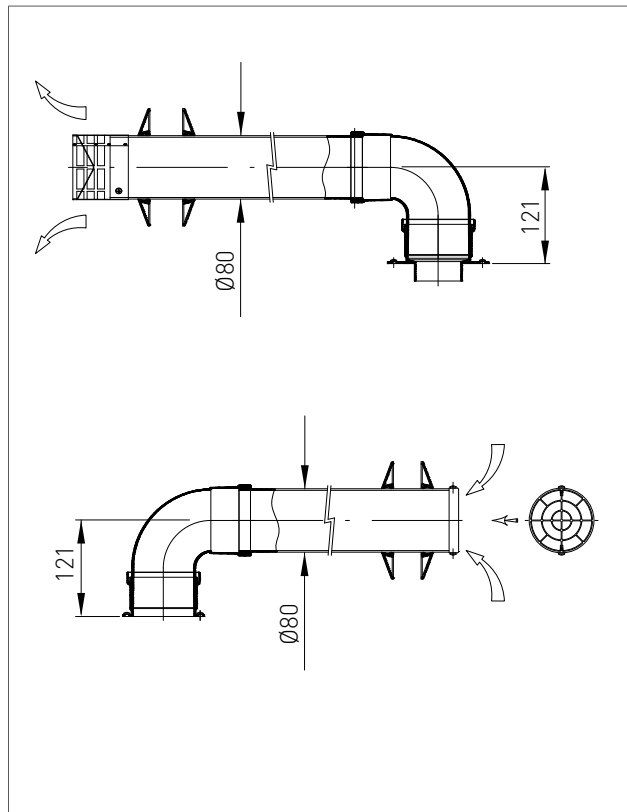
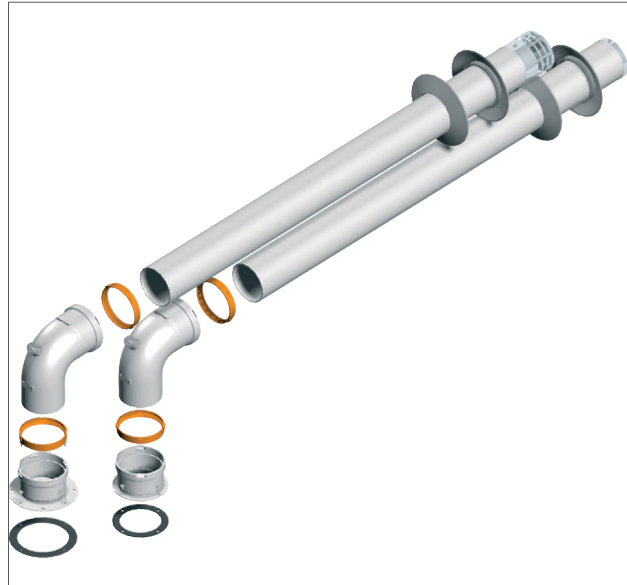
PLEASE SEE THE MAXIMUM DISCHARGE AND INTAKE LENGTH IN THE TABLE IN CHAPTER "TECHNICAL DATA".

The maximum discharge and intake length (or linear reference length) can be calculated summing the length of the linear tube and that equivalent to each additional curve with respect to the first.

Subsequent addition of a curve is similar to adding a linear length of tube according to the indications below:

curve Ø80 at 90°= 1.5 m

curve Ø80 at 45°= 0.8 m



1. INSTALLATION

FLUE MANIFOLD Ø100 KIT IN POLYPROPYLENE

It allows fumes discharge in chimney and draws air from atmosphere.

Suitable only for condensing boilers.

PLEASE SEE THE MAXIMUM DISCHARGE AND INTAKE LENGTH IN THE TABLE IN CHAPTER "TECHNICAL DATA".

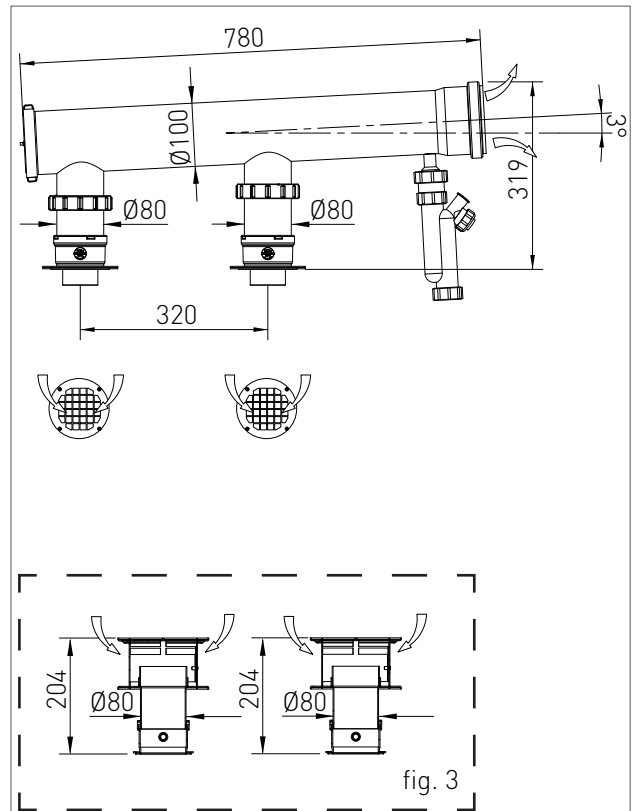
The maximum discharge and intake length (or linear reference length) can be calculated summing the length of the linear tube and that equivalent to each additional curve with respect to the first.

Subsequent addition of a curve is similar to adding a linear length of tube according to the indications below:

curve Ø100 at 90°= 1.5 m

curve Ø100 at 45°= 0.8 m

NB: The air intake manifold is also available (optional - fig. 3).



**ATTENTION**

By using a flue manifold kit for this boiler model, the installation of the non-return flue damper (1 - fig. 1, code: 50-00452), included as a standard equipment inside the boiler's package, is required.

IN ORDER TO INSTALL THE NON-RETURN FLUE DAMPER IN THE FLUE MANIFOLD KIT Ø100, PLEASE PROCEED AS FOLLOWS:

1. Install the non-return flue damper '1' (fig. 1) in the flue vertical adapter '2', using the forced couplings 'A' and 'B' and pushing it until it sits into place.

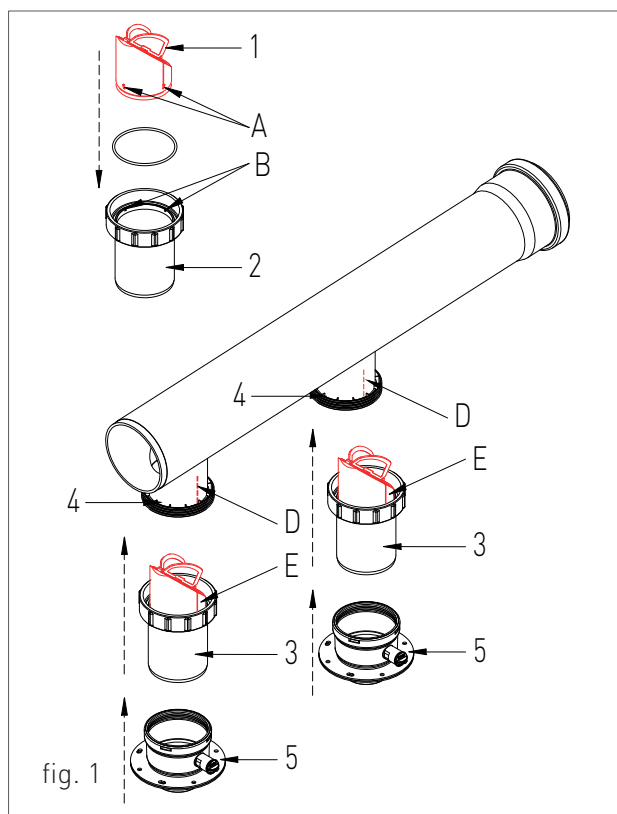
2. Insert the flue vertical adapter '3' in the manifold connection adapter until it sits into place, using the forced 'D' and 'E' couplings.

3. Tighten the flue vertical adapter ring-nut '3' on the manifold connection adapter.

4. Insert the flanged vertical adapter '5' on the flue vertical adapter '3'.

5. Repeat the installation described from point 1 to point 4 for the other flue manifold connection adapter.

6. Fasten using some screws the '5' flanged vertical adapters on the top of the boiler.



2. SUPPORT CENTER SECTION

All operations described below relative to first start-up, maintenance and replacement should be performed only by qualified personnel

2.1. FIRST START-UP

2.1.1. PRELIMINARY OPERATIONS FOR FIRST START-UP

The first start-up operations consist in checking the correct installation, adjustment and operation of the device. Proceed as follows:

- › check the inner system sealing in accordance with the indications provided by standard and regulations in forced;
- › check if the gas used is suitable for the boiler;
- › check if the gas capacity and relative pressures comply with those on the plate;
- › check the intervention of the safety device in case of lack of gas;
- › make sure that the device supply voltage corresponds with that on the plate (230 V – 50 Hz) and that the wiring is correct;
- › make sure that the grounding system works properly;
- › make sure that the combustion air adduction and fumes and condensate discharge take place properly in compliance with the Local and National Laws and Standards in force;
- › make sure that the fumes discharge tube and its connection to the fume exhaust duct comply with the requirements of the Local and National Laws and Standards;
- › make sure that the heating system gate valves are open;
- › make sure that there is no intake of gaseous products within the system;
- › make sure that there are no flammable liquids or materials near the device;
- › open the boiler gas tap and make sure that there are no gas leaks upstream from the device (the burner gas connection must be checked while the machine is running);
- › in case of new installation of the gas supply network, the air inside the tubes may block the device at its first start-up. You might have to repeat the start-up procedure to purge all the air inside the tube.





2.1.2. BOILER COMMISSIONING



WARNING

Make sure that the system is correctly filled.

Proceed with boiler commissioning as follows:

- › check that the gas tap is closed;
- › power the boiler;
- › make sure the circulator is not blocked;
- › if it is blocked, wait that the circulator performs the automatic unlocking function (3 minute duration);
- › if the circulator appears to be still blocked, reactivate the automatic unlocking function of the circulator (additional 3 minutes) by shutting off the power supply and then restoring it.
- › After completing the above mentioned operations, open the gas tap.
- › Use the button  to select the desired operation mode. If the symbol is displayed fixed, it means that the function was activated.
- › the burner will start as soon as the thermostat contact is closed;
- › if the flame is missing the board will repeat the start-up operations after post-ventilation (20 seconds).
- › You might have to repeat the start-up operation several times to release all air inside the gas tube. Before repeating the operation, wait at least 5 seconds from the last start-up attempt and unlock the boiler from "E01" error code by pressing the Reset  key.

2.1.3. CO₂ VALUE CHECK AND CALIBRATION



WARNING

The CO₂ value should be checked with the casing assembled, while the gas valve should be adjusted with the casing open.

To check and calibrate the CO₂ value to minimum and maximum heating power proceed as follows for every single unit:

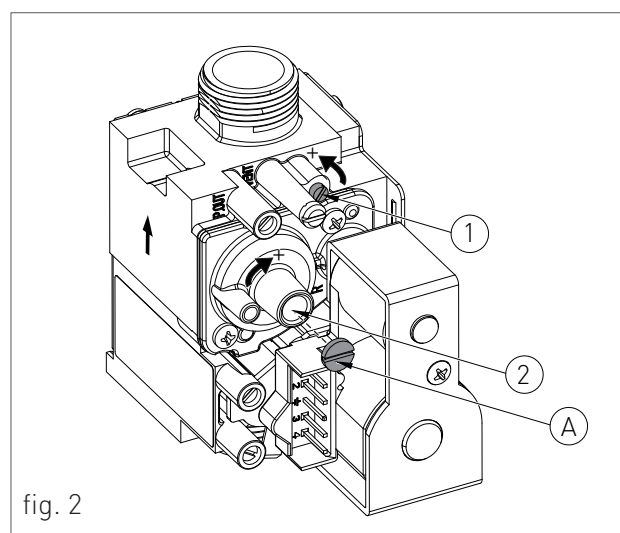
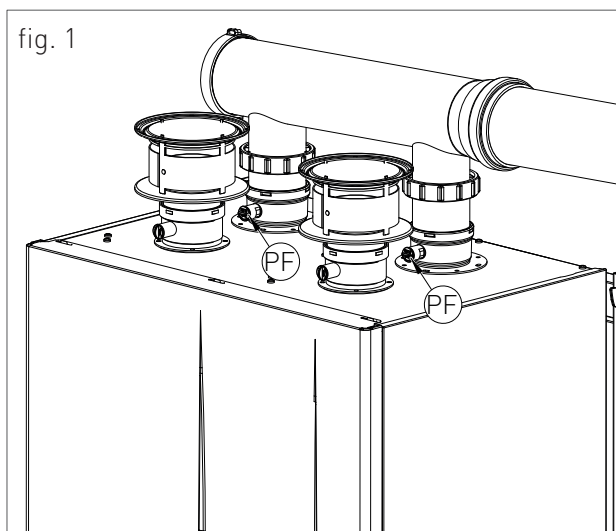
FOR MINIMUM HEATING POWER

- › Activate the chimney sweep function (F07) by holding for 7 seconds the key **R** (the maximum time of the function is 15 minutes).
- › Insert the fumes analyser probe in the suitable 'PF' fumes inlet (fig. 1), then make sure that the CO₂ value complies with the indications in "Technical data", otherwise unscrew the protection screw 'A' (fig. 2) and adjust using a 4 Allen wrench the screw '2' (fig. 2) of the Off-Set adjuster. To increase the CO₂ value, turn the screw clockwise and vice-versa if you want to decrease it. Once completed the adjustment, tighten the protection screw 'A' (fig. 2) on the Off-Set adjuster.

FOR MAXIMUM HEATING POWER

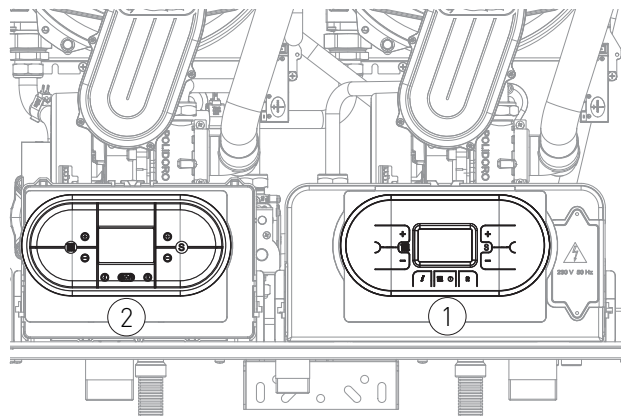
- › Press the key **+** of the heating in order to calibrate the maximum heating power.
- › Make sure that the CO₂ value complies with the requirements indicated in chapter "Technical data", otherwise adjust using screw '1' (fig. 2) of the gas flow adjuster. To increase the CO₂ value, turn the screw anti-clockwise and vice-versa if you want to decrease it.
- › After each adjustment variation on screw '1' (fig. 2) of the gas flow adjuster you have to wait for the boiler to stabilize itself to the set value (about 30 seconds).

- › Then press the key **-** of the heating and make sure that the CO₂ value did not change to minimum, if changed repeat the calibration described in the previous paragraph.
- › Deactivate the chimney sweep function by switching the boiler to the 'OFF' operating mode using the button .

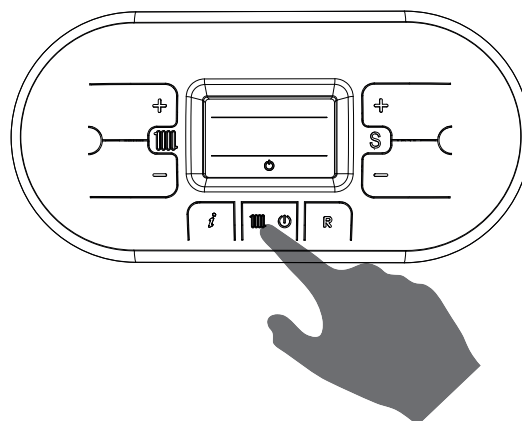


2.1.4. ACCESSING AND PROGRAMMING THE PARAMETERS

All the values of the parameters can be changed from the master control panel '1' (see figure), except for the parameters with which it is possible to set the power of a single unit (P00, P10, P11, P12, P13 and P14); in this case, act also from the slave control panel '2' (see figure).








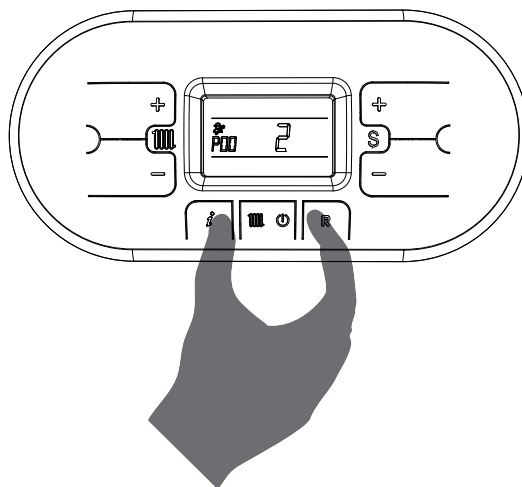
To access the parameters menu and adjust their values, follow the procedure below:




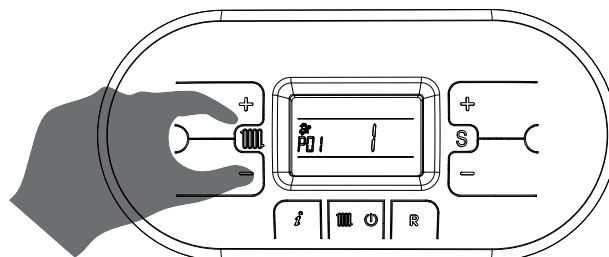
1. Press the button 'OFF' to select the OFF mode displayed using the symbol 'OFF':



2. FIRST START-UP

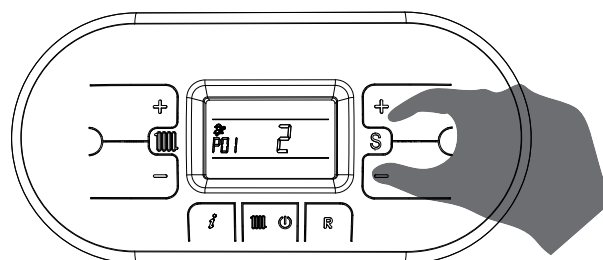
2. Hold at the same time the keys  and  until on the display appears the symbol  with the message 'P00', and release the keys  and .




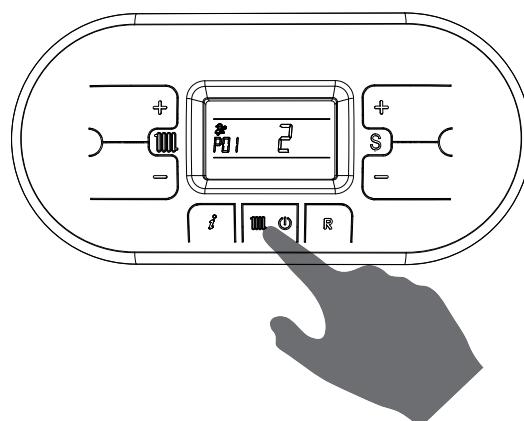
3. Use the keys  and  of the heating circuit  to select the parameter to be edited.






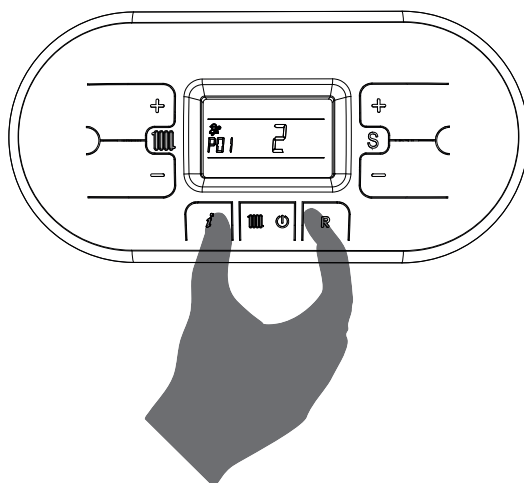
4. Use the keys  and  of the 'S'  symbol to change the value of the parameter.




5. Press the key  to confirm the action and wait for the display to stop blinking, indication of the fact that the adjustment was implemented.



6. To exit the parameters menu, hold at the same time the keys  and  and wait for the symbol  to appear on the display.



7. In order for the modifications performed by the master control panel be set even on the slave board, switch off and on the power to the boiler. Wait the necessary time for the operation, about 30 seconds, until the symbol  no longer appears on the display.

2. FIRST START-UP

2.1.4. DIGITECH CS PARAMETERS TABLE (MIAH412)

PARAMETER	DESCRIPTION	RANGE	FUNCTION
P00	BOILER MODEL SELECTION (CHANGE THE PARAMETER VALUE ON BOTH CONTROL PANELS, MASTER AND SLAVE, PLEASE SEE CHAPTER "PARAMETER ACCESS AND PROGRAMMING").	0 - 4	0 = R1K 18_24-R2K 24-R2KA 24 (IN ALL VERSIONS)
			1 = R1K 25_28-R2K 28-R2KA 28 (IN ALL VERSIONS)
			2 = R1K 34-R2K 34-R2KA 34 (IN ALL VERSIONS)
			3 = R1K 50 (FOR R1K 100 SET THE VALUE ON BOTH UNITS)
			4 = R1K 57 / R1K 60 (FOR R1K 115 / R1K 120 SET THE VALUE ON BOTH UNITS)
P01	BOILER TYPE SELECTION	0 - 1	0 = WITH REMOTE BOILER SUPPLY SYSTEM (PRE-SET BY DEFAULT, WITH DHW CIRCUIT MANAGED BY MODBUS) TO CHANGE THE DHW OPERATING MODE, CHANGE THE VALUE OF THE PARAMETER P32.
			1 = HEATING ONLY
			2 = INSTANTANEOUS (THIS OPERATING MODE REQUIRES THE INSTALLATION OF THE KIT CODE 65-00819, AS DESCRIBED IN CHAPTERS 'MECHANICAL SYSTEM DIAGRAM' AND 'OPTIONAL ELECTRICAL CONNECTIONS'. MOREOVER, AFTER INSTALLING THE KIT, SET PARAMETER P32 TO '0').

2. FIRST START-UP

PARAMETER	DESCRIPTION	RANGE	FUNCTION
P02	GAS TYPE SELECTION ATTENTION: READ THE INSTRUCTION IN CHAPTER 'GAS TRANSFORMATION' BEFORE CHANGING THIS PARAMETER.	0 - 1	0 = METHANE
			1 = GPL
P03	SETTING THE HEATING TEMPERATURE IN CASE OF DIRECT SUPPLY, BY A BOILER, OF A LOW TEMPERATURE SYSTEM, INSTALL A SECURITY THERMOSTAT ON THE DELIVERY WHICH INTERRUPTS THE OPERATION OF THE BOILER IN CASE OF HIGH DELIVERY TEMPERATURE. THE COMPANY IS NOT HELD LIABLE FOR RESULTING DAMAGES TO PERSONS OR THINGS DUE TO THE NON-OBSERVANCE OF SUCH INDICATION.	0 - 1	0 = STANDARD (30-80 °C) (SET BY DEFAULT)
			1 = REDUCED (25-45 °C) FOR FLOOR SYSTEMS
P04	HEATING RUN-UP THROUGH THIS PARAMETER YOU CAN SET THE TIME, DURING START-UP PHASE, NECESSARY FOR THE BOILER TO REACH THE MAXIMUM SET POWER (IN HEATING).	0 - 5	0 = (DISABLED)
			1 = 50 SECONDS
			2 = 100 SECONDS
			3 = 200 SECONDS (SET BY DEFAULT)
			4 = 400 SECONDS
P05	TIME DURING THE PRIMARY START-UP OF A SINGLE UNIT BY MEANS OF THIS PARAMETER, IT IS POSSIBLE TO SET THE TIME DURING WHICH A SINGLE UNIT BECOMES PRIMARY DURING THE START-UP, AFTER WHICH THE AUTOMATIC REVERSAL WITH THE OTHER UNIT OCCURS.	0 - 255	THE VALUE IS EXPRESSED IN HOURS (PRE-SET TO 50 HOURS)
			5 = 600 SECONDS
P06	TURN OFF OF A SINGLE UNIT	1 - 3	1 = START ONLY MASTER
			2 = START ONLY SLAVE
			3 = BOTH TURNED ON

2. FIRST START-UP

PARAMETER	DESCRIPTION	RANGE	FUNCTION
P07	<p>HEATING TIMING</p> <p>THROUGH THIS PARAMETER YOU CAN SET THE MINIMUM TIME FOR WHICH THE BURNER WILL BE TURNED OFF ONCE THE HEATING TEMPERATURE REACHED THE USER SET TEMPERATURE.</p>	0 - 90	<p>VALUE EXPRESSED IN MULTIPLES OF 5 SECONDS (PRE-SET AT $36 \times 5 = 180$ SECONDS)</p>
P08	<p>POST-CIRCULATION HEATING TIMING</p> <p>THROUGH THIS PARAMETER YOU CAN SET THE PUMP DURATION OF OPERATION DURING HEATING CYCLE, AFTER THE MAIN BURNER TURNS OFF DUE TO THE ENVIRONMENT THERMOSTAT.</p>	0 - 90	<p>VALUE EXPRESSED IN MULTIPLES OF 5 SECONDS (PRE-SET AT $36 \times 5 = 180$ SECONDS)</p>
P09	<p>POST-CIRCULATION DOMESTIC / BOILER TIMING</p> <p>(ONLY FOR THE VERSION WITH REMOTE BOILER SUPPLY SYSTEM).</p> <p>THROUGH THIS PARAMETER YOU CAN SET THE PUMP OPERATION DURATION ON THE DOMESTIC CIRCUIT, AFTER THE TAP IS CLOSED.</p>	0 - 90	<p>VALUE EXPRESSED IN MULTIPLES OF 5 SECONDS (PRE-SET AT $18 \times 5 = 90$ SECONDS)</p>
P10	<p>FAN MINIMUM SPEED ADJUSTMENT</p> <p>THROUGH THIS PARAMETER YOU CAN SET THE FAN MINIMUM SPEED THAT CORRESPONDS TO THE MINIMUM POWER OF THE BURNER.</p> <p>THE VALUE IS PRE-SET BASED ON THE SET POWER (SEE PARAMETER P00) AND ON THE GAS TYPE (SEE PARAMETER P02).</p> <p>(CHANGE THE PARAMETER VALUE ON BOTH CONTROL PANELS, MASTER AND SLAVE, PLEASE SEE CHAPTER "PARAMETER ACCESS AND PROGRAMMING").</p>	SEE CHAPTER 'HEAT CAPACITY DIAGRAM (KW) – ELECTRIC FAN FREQUENCY (HZ)	<p>THE VALUE IS EXPRESSED IN HERTZ (1HZ = 30 RPM)</p>
P11	<p>FAN MAXIMUM SPEED ADJUSTMENT</p> <p>THROUGH THIS PARAMETER YOU CAN SET THE FAN MAXIMUM SPEED THAT CORRESPONDS TO THE MAXIMUM POWER OF THE BURNER. THE VALUE IS PRE-SET BASED ON THE SET POWER (SEE PARAMETER P00) AND ON THE GAS TYPE (SEE PARAMETER P02).</p> <p>(CHANGE THE PARAMETER VALUE ON BOTH CONTROL PANELS, MASTER AND SLAVE, PLEASE SEE CHAPTER "PARAMETER ACCESS AND PROGRAMMING").</p>	SEE CHAPTER 'HEAT CAPACITY DIAGRAM (KW) – ELECTRIC FAN FREQUENCY (HZ)	<p>THE VALUE IS EXPRESSED IN HERTZ (1HZ = 30 RPM)</p>

2. FIRST START-UP

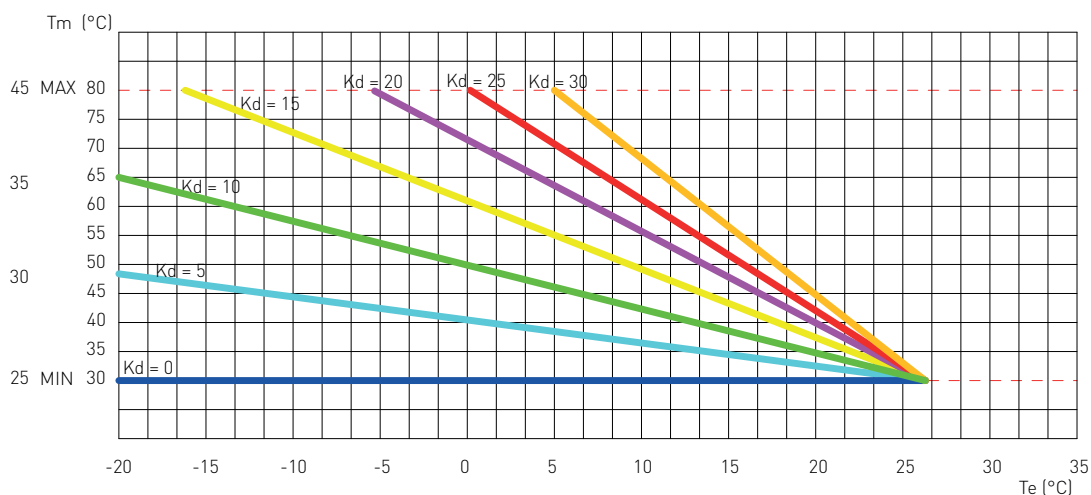
PARAMETER	DESCRIPTION	RANGE	FUNCTION
P12	<p>HEATING FAN MINIMUM SPEED ADJUSTMENT</p> <p>THROUGH THIS PARAMETER YOU CAN SET THE FAN MINIMUM SPEED IN HEATING PHASE, THAT CORRESPONDS TO THE MINIMUM BURNER POWER DURING A REQUEST TO OPERATE IN HEATING MODE. THE VALUE IS PRE-SET BASED ON THE SET POWER (SEE PARAMETER P00) AND ON THE GAS TYPE (SEE PARAMETER P02).</p> <p>(CHANGE THE PARAMETER VALUE ON BOTH CONTROL PANELS, MASTER AND SLAVE, PLEASE SEE CHAPTER "PARAMETER ACCESS AND PROGRAMMING").</p>	SEE CHAPTER 'HEAT CAPACITY DIAGRAM (KW) - ELECTRIC FAN FREQUENCY (HZ)	THE VALUE IS EXPRESSED IN HERTZ (1HZ = 30 RPM)
P13	<p>HEATING FAN MAXIMUM SPEED ADJUSTMENT</p> <p>THROUGH THIS PARAMETER YOU CAN SET THE FAN MAXIMUM SPEED IN HEATING PHASE, THAT CORRESPONDS TO THE MAXIMUM BURNER POWER DURING A REQUEST TO OPERATE IN HEATING MODE.</p> <p>THE VALUE IS PRE-SET BASED ON THE SET POWER (SEE PARAMETER P00) AND ON THE GAS TYPE (SEE PARAMETER P02).</p> <p>(CHANGE THE PARAMETER VALUE ON BOTH CONTROL PANELS, MASTER AND SLAVE, PLEASE SEE CHAPTER "PARAMETER ACCESS AND PROGRAMMING").</p>	SEE CHAPTER 'HEAT CAPACITY DIAGRAM (KW) - ELECTRIC FAN FREQUENCY (HZ)	THE VALUE IS EXPRESSED IN HERTZ (1HZ = 30 RPM)
P14	<p>STARTING STEP ADJUSTMENT</p> <p>THROUGH THIS PARAMETER YOU CAN SET THE FAN SPEED DURING START-UP</p> <p>THE VALUE IS PRE-SET BASED ON THE SET POWER (SEE PARAMETER P00) AND ON THE GAS TYPE (SEE PARAMETER P02).</p> <p>(CHANGE THE PARAMETER VALUE ON BOTH CONTROL PANELS, MASTER AND SLAVE, PLEASE SEE CHAPTER "PARAMETER ACCESS AND PROGRAMMING").</p>	SEE CHAPTER 'HEAT CAPACITY DIAGRAM (KW) - ELECTRIC FAN FREQUENCY (HZ)	THE VALUE IS EXPRESSED IN HERTZ (1HZ = 30 RPM)

2. FIRST START-UP

PARAMETER	DESCRIPTION	RANGE	FUNCTION
P15	<i>ANTI-LEGIONELLA FUNCTION</i> (ONLY FOR THE VERSION WITH REMOTE BOILER SUPPLY SYSTEM). THROUGH THIS PARAMETER YOU CAN ACTIVATE/ DEACTIVATE "ANTI LEGIONELLA" HEAT TREATMENT OF THE ACCUMULATION BOILER. EVERY 7 DAYS THE WATER TEMPERATURE INSIDE THE ACCUMULATION BOILER IS HEATED BEYOND 60 °C THUS GENERATING A BURNING HAZARD. KEEP UNDER CONTROL SUCH DOMESTIC HOT WATER TREATMENT (AND INFORM THE USERS) TO AVOID UNFORESEEABLE DAMAGES TO PERSONS, ANIMALS, PROPERTY. A THERMOSTATIC VALVE SHOULD BE INSTALLED AT THE DOMESTIC HOT WATER OUTLET TO AVOID ANY BURNS.	0 - 1	0 = DISABLED <hr/> 1 = ENABLED (PRE-SET BY DEFAULT)

2. FIRST START-UP

PARAMETER	DESCRIPTION	RANGE	FUNCTION
P16	<p>CLIMATE COMPENSATION CURVE</p> <p>(ONLY WITH EXTERNAL PROBE CONNECTED)</p> <p>YOU CAN CONNECT AN EXTERNAL TEMPERATURE PROBE (SEE CHAPTER 'ELECTRICAL CONNECTIONS') THAT AUTOMATICALLY CHANGES THE DELIVERY TEMPERATURE BASED ON THE EXTERNAL MEASURED TEMPERATURE. THE NATURE OF THE CORRECTION DEPENDS ON THE THERMO-ADJUSTMENT VALUE KD SET (SEE CHART).</p> <p>THE SELECTION OF THE CURVE IS DETERMINED BY THE MAXIMUM DELIVERY TEMPERATURE T_m AND THE MINIMUM EXTERNAL TEMPERATURE T_e TAKING INTO ACCOUNT THE HOUSE INSULATION DEGREE.</p> <p>THE VALUES OF THE DELIVERY TEMPERATURES T_m, REFER TO STANDARD SYSTEMS 30-80 °C OR FLOOR SYSTEMS 25-45 °C. THE SYSTEM TYPE CAN BE SET FROM PARAMETER P03.</p>	0 - 30	(SET BY DEFAULT AT 25) THE NUMBERING OF THE VALUE CORRESPONDS TO 'KD' CURVES ON THE CHART (SEE CHART BELOW).



P17	<p>BOILER LOADING SETPOINT DIFFERENTIAL</p> <p>(ONLY FOR THE VERSION WITH REMOTE BOILER SUPPLY SYSTEM).</p> <p>BY MEANS OF THIS PARAMETER, IT IS POSSIBLE TO SET THE PREVIOUS START VALUE FOR THE BOILER ACCORDING TO THE SETPOINT OF THE DOMESTIC CIRCUIT SET BY THE USER.</p>	3 - 15	VALUE EXPRESSED IN °C (PRE-SET TO 5°C)
------------	----------------------------------------------------------------------------------------------------------------------------------------------------------------------------------------------------------------------------------------------------------------------------------------	--------	----------------------------------------

2. FIRST START-UP

PARAMETER	DESCRIPTION	RANGE	FUNCTION
P18	ENABLING BUS INDUSTRIAL PILOTING 0 -10V THROUGH THIS PARAMETER YOU CAN ENABLE OR DISABLE THE BUS INDUSTRIAL INPUT 0-10 V TO SET THROUGH EXTERNAL BUS THE BURNER POWER OR THE DELIVERY TEMPERATURE.	0 - 2	0 = DISABLED (SET BY DEFAULT) 1 = TEMPERATURE CONTROL MODE 2 = POWER CONTROL MODE
P19	MINIMUM HEATING SETPOINT THROUGH THIS PARAMETER YOU CAN SET THE USER-ADJUSTABLE MINIMUM HEATING TEMPERATURE.	20 - 40	THE VALUE IS EXPRESSED IN °C
P20	MAXIMUM HEATING SETPOINT THROUGH THIS PARAMETER YOU CAN SET THE USER-ADJUSTABLE MAXIMUM HEATING TEMPERATURE.	40 - 90	THE VALUE IS EXPRESSED IN °C
P21	MAXIMUM DOMESTIC SETPOINT (only for RS version with remote boiler system) THROUGH THIS PARAMETER YOU CAN SET THE USER-ADJUSTABLE MAXIMUM DOMESTIC TEMPERATURE.	45 - 75	THE VALUE IS EXPRESSED IN °C
P22	SET POINT ΔT DELIVERY-RETURN THROUGH THIS PARAMETER YOU CAN SET THE TEMPERATURE DIFFERENCE BETWEEN DELIVERY AND RETURN.	0 10 - 40	0 = DISABLED THE VALUE IS EXPRESSED IN °C
P23	MODULATING PUMP MINIMUM SPEED THROUGH THIS PARAMETER YOU CAN SET THE MINIMUM SPEED VALUE OF THE MODULATING PUMP DURING A REQUEST TO OPERATE IN HEATING MODE.	50 - 70	THE VALUE IS EXPRESSED IN PERCENTAGE
P24	MODULATING PUMP MAXIMUM SPEED THROUGH THIS PARAMETER YOU CAN SET THE MAXIMUM SPEED VALUE OF THE MODULATING PUMP DURING A REQUEST TO OPERATE IN HEATING MODE.	70 - 100	THE VALUE IS EXPRESSED IN PERCENTAGE
P25	CONTROL PERIOD ΔT DELIVERY-RETURN THROUGH THIS PARAMETER YOU CAN SET THE RESPONSE TIME TO THE PUMP MODULATION.	20 - 100	THE VALUE IS EXPRESSED IN SECONDS

2. FIRST START-UP

PARAMETER	DESCRIPTION	RANGE	FUNCTION
P26	MODBUS ADDRESS BY MEANS OF THIS PARAMETER, IT IS POSSIBLE TO SET THE ADDRESS OF THE BOARD ON MODBUS IN ORDER TO PERFORM A CASCADE SYSTEM.	1 - 16	BOILER NUMBERING FOR MODBUS
P27	ACTIVATION PERCENTAGE OF THE SECONDARY UNIT	60 - 100	THE VALUE IS EXPRESSED IN PERCENTAGE (PRE-SET BY DEFAULT TO 85%)
P28	DEACTIVATION PERCENTAGE OF THE SECONDARY UNIT	5 - 40	THE VALUE IS EXPRESSED IN PERCENTAGE (PRE-SET BY DEFAULT TO 10 %)
P29	ENABLING THE MASTER BOARD WITH CRAD AREA MANAGEMENT BOARD	0 - 2	0 = DISABLED (PRE-SET BY DEFAULT) 1 = CRAD AREA BOARD CONNECTED 2 = CRAD AREA BOARD CONNECTED + REMOTE
P30	SETTING THE TEMPERATURE MEASUREMENT UNIT THROUGH THIS PARAMETER, YOU CAN SELECT THE MEASUREMENT UNIT OF THE DISPLAYED TEMPERATURE: CELSIUS (°C) OR FAHRENHEIT (°F) DEGREES.	0 - 1	0 = °C 1 = °F
P31	SELECTION OF THE COUNTRY OF DESTINATION BY CHANGING THIS PARAMETER, THE CONTROL PARAMETERS OF THE COMBUSTION ARE AUTOMATICALLY CONFIGURED ACCORDING TO THE VALUES PRE-SET IN THE COUNTRY OF DESTINATION OF THE PRODUCT.	0 - 1	0 = OTHER COUNTRY 1 = U.S.A. / CANADA
P32	DOMESTIC CIRCUIT OPERATING MODE	0 - 2	0 = DOMESTIC CIRCUIT BY MEANS OF BOILER PROBE 1 = DOMESTIC CIRCUIT BY MEANS OF THERMOSTAT 2 = DOMESTIC CIRCUIT BY MEANS OF MODBUS

2. FIRST START-UP

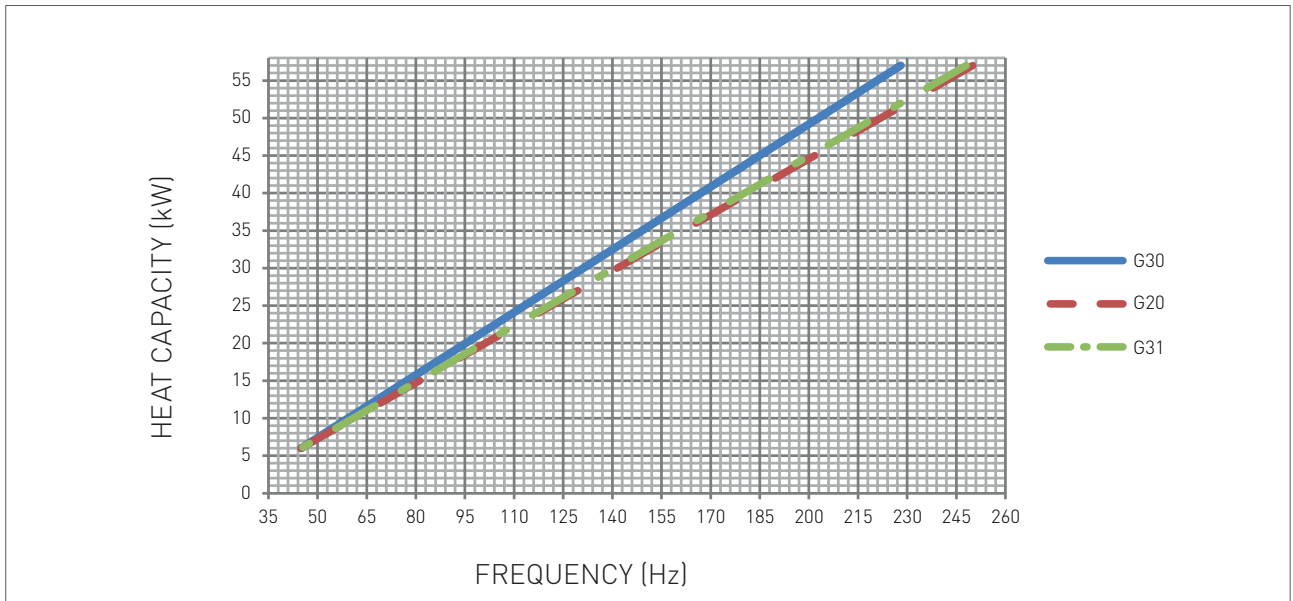
PARAMETER	DESCRIPTION	RANGE	FUNCTION
P33	<p>MODBUS COMMUNICATION BAUD RATE</p> <p>BY MEANS OF THIS PARAMETER, IT IS POSSIBLE TO SELECT THE MODBUS COMMUNICATION BAUD RATE SUPPORTED BY THE SAME INTERFACE.</p>	0 - 5	0 = 9600
			1 = 1200
			2 = 2400
			3 = 4800
			4 = 9600
			5 = 19200
P34	<p>CONNECTION STATUS OF THE SOLAR AUXILIARY BOARD</p> <p>BY MEANS OF THIS PARAMETER, IT IS POSSIBLE TO ENABLE THE AUXILIARY BOARD FOR THE EXPANSION OF THE RESOURCES WHEN THE SOLAR AUXILIARY BOARD IS DISCONNECTED TO THE BOILER BOARD AUTOMATICALLY, THE VALUE OF THIS PARAMETER BECOMES '1', BUT IF THE SOLAR AUXILIARY BOARD IS SUCCESSIVELY DISCONNECTED, THE DISPLAY OF THE CONTROL PANEL OF THE BOILER WILL DISPLAY THE ERROR 'E31'. IN THIS CASE, IN ORDER TO DEACTIVATE THE ERROR 'E31', IT IS NECESSARY TO MANUALLY SET THE VALUE OF THE PARAMETER TO '0'.</p>	0 - 1	0 = NOT INSTALLED
			1 = INSTALLED
P69	<p>ACTIVATION OF THE AUXILIARY RELAY ON THE "SVZ" P.C.B. (SEE CHAPTER: OPTIONAL ELECTRICAL CONNECTIONS)</p> <p>THROUGH THIS PARAMETER IT IS POSSIBLE TO MANAGE THE TYPE OF FUNCTIONING OF THE AUXILIARY RELAY ON THE "SVZ" P.C.B. (CLAMP M4, PIN 5-6).</p> <p>WHEN THE VALUE OF THE PARAMETER IS SET TO '3', THE ENABLING OR DISABLING OF THE AUXILIARY RELAY IS GIVEN BY THE "TP" CONTACT (SEE CHAPTER: OPTIONAL ELECTRICAL CONNECTIONS).</p> <p>WHEN THE "TP" CONTACT IS OPEN, THE RELAY STAYS ENERGIZED (WORKING RECIRCULATION PUMP) WHILE WHEN THE "TP" CONTACT IS CLOSED, THE RELAY IS DE-ENERGIZED (NOT WORKING RECIRCULATION PUMP).</p>	0 - 4	0 = DISABLED (SET BY DEFAULT)
			1 = HEATING CIRCUIT BOOSTER PUMP
			2 = D.H.W. BOOSTER PUMP
			3 = RECIRCULATION PUMP
			4 = REMOTE LED FOR SIGNALLING BOILER BLOCK (SEE CHAPTER: OPTIONAL ELECTRICAL CONNECTIONS)

2. FIRST START-UP

PARAMETER	DESCRIPTION	RANGE	FUNCTION
P70	ENABLING OF SECURITY CONTROL FOR INSUFFICIENT CIRCULATION AT EVERY IGNITION THROUGH THIS PARAMETER IT IS POSSIBLE TO CHECK THE CORRECT OPERATION OF THE PUMP AT EVERY IGNITION OF THE BURNER. THIS CHECK ALLOWS PROTECTING THE HEAT EXCHANGER AND OTHER PARTS FROM EXCESSIVE NON-DISSIPATED HEAT, IN CASE THE PUMP IS NOT PROPERLY OPERATING.	0 - 1	0 = DISABLED <hr/> 1 = ENABLED (SET BY DEFAULT)
P71	ACTIVATION AND OPERATING MODE OF THE CONTACT 'CT' THROUGH ACCESSORY COD. 40-00133 (SEE CHAPTER "OPTIONAL ELECTRICAL CONNECTIONS") THIS PARAMETER IS AUTOMATICALLY SET TO THE VALUE '1' WHEN THE VALUE OF PARAMETER P00 IS SET TO '4'.	0 - 2	0 = DISABLED (SET BY DEFAULT) <hr/> 1 = AIR PRESSURE-SWITCH SAFETY <hr/> 2 = TELEPHONE DIALER

2. FIRST START-UP

2.1.5. ELECTRIC FAN FREQUENCY/HEAT CAPACITY DIAGRAM*



*Data on a single unit

GAS TYPE		MINIMUM FREQUENCY DURING HEATING	MAXIMUM FREQUENCY DURING HEATING	STARTING STEP ADJUSTMENT
G20	Hz	45	250	130
G30	Hz	45	228	140
G31	Hz	45	248	140

2.2. MAINTENANCE

2.2.6. GENERAL MAINTENANCE WARNINGS



DANGER

Before each components cleaning or replacement operation, ALWAYS cut off the POWER, WATER and GAS supply of the boiler.



WARNING

To ensure greater life span and proper operation of the device, during the maintenance operations use only original spare parts.



ATTENTION

To ensure the efficiency and safety of the device, the maintenance operations must be realized on an annual basis. The operations described below, are essential to the validity of the standard Flexiheat warranty and must be performed by professionally qualified personnel in accordance with current legislation

Please perform the following operations once a year:

- › check the primary exchanger, if necessary, clean it;
 - › check the operation of the gas light up and safety systems. If necessary, remove and clean the flame detection and light up electrodes from incrustations paying attention to respect the distances with respect to the burner;
 - › check the sealing of the gas components, and replace if necessary the gaskets;
 - › visually check the flame and the condition of the combustion chamber;
 - › if necessary make sure that the combustion is suitably adjusted and if required proceed as indicated in section "CO2 VALUE CHECK AND CALIBRATION";
 - › periodically check the integrity of the fume exhaustion system for safety and proper operation;
 - › make sure that the permanent ventilation outlets are present, correctly sized and functioning, based on the installed devices. Respect the requirements provided by Local and National legislation;
 - › check the heating circuit safety systems: limit temperature safety thermostat; limit pressure safety;
 - › check the proper operation of the condensate draining system, including the devices outside the boiler such as condensate collection devices installed along the path of the fume exhaust duct or neutralization devices for acid condensate. Check that the liquid flow is not obstructed and that there are no combustion gas refluxes inside the internal system.
- › Check that the system's water PH is between 6.5 and 8.5;
 - › check the pre-load pressure of the expansion vessel;
 - › check the sealing of the water components, and replace if necessary the gaskets;
 - › check that the wiring is performed in compliance with the requirements in the boiler instruction manual;
 - › check the wiring inside the control panel;
 - › remove and clean the burner from oxidation;
 - › check the integrity and the position of the sealed chamber sealing gasket;

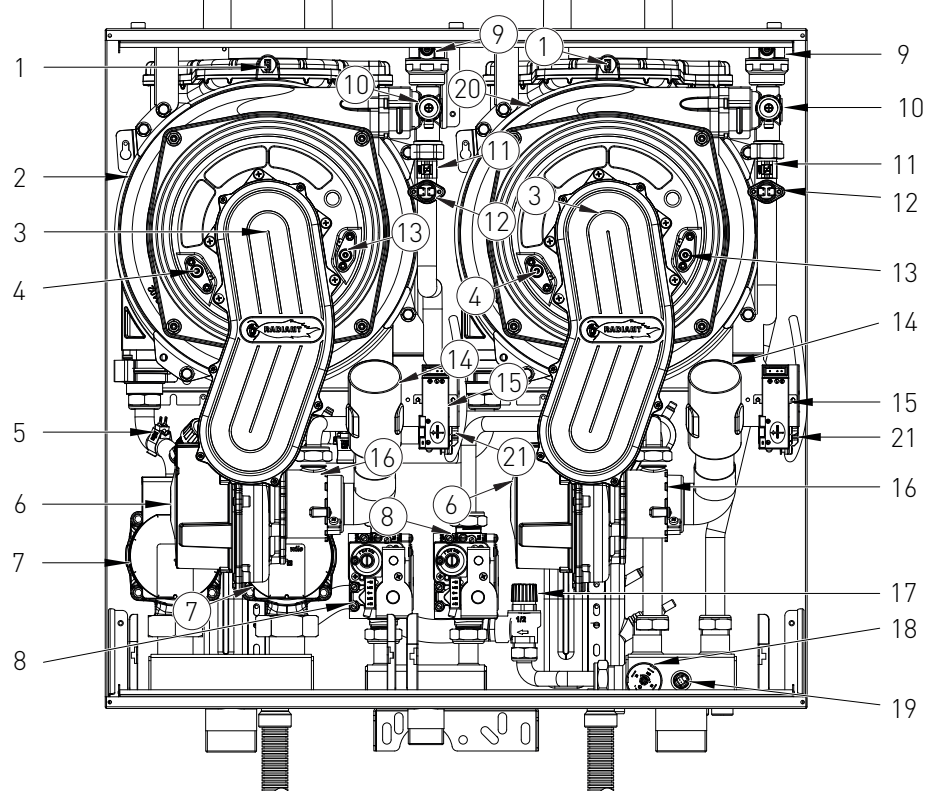
2.2.8. TECHNICAL DATA

Model		R1K 120
CE certification	no.	-
Gas category		(IT) II2H3B/P
Discharge type	type	B 23 - B 23 p - B 33 - C13-C33-C43-C53- C63-C73-C83-C93
Energy efficiency 92/42 CEE	no. stars	4
Maximum nominal heat capacity in heating circuit	kW	118
Minimum nominal heat capacity in heating circuit	kW	6
Useful thermal power - 60/80°C	kW	114.46
Performance at 100% P _n - 60/80°C	%	97
Average efficiency P _n - 60/80 ° C	%	97.8
Performance at 30% P _m - return 30°C	%	108.3
Maximum combustion Performance	%	97.2
Minimum combustion Performance	%	98.2
Fumes temperature at nominal heat capacity	°C	81.2
Fumes temperature at minimum heat capacity	°C	58.7
CO ₂ at nominal heat capacity - G20	%	9,4 - 9,2
CO ₂ at minimum heat capacity - G20	%	9,1 - 8,9
CO ₂ at nominal heat capacity - G30	%	11,4 - 11,2
CO ₂ at minimum heat capacity - G30	%	10,8 - 10,6
CO ₂ at nominal heat capacity - G31	%	10,3 - 10,1
CO ₂ at minimum heat capacity - G31	%	9,8- 9,6
CO at nominal heat capacity	ppm	87
CO at minimum heat capacity	ppm	1
Weighted CO (0% O ₂)	ppm	8
Casing efficiency losses (full load)	%	0.20
NO _x class	class	6
Weighted Nox (0% O ₂) mg/kWh	mg/kWh	38
Heating circuit		
Adjustable heating temperature	°C	30-80 / 25-45
Maximum operating temperature for heating circuit	°C	80
Maximum operating pressure for heating circuit	bar	3
Minimum operating pressure for heating circuit	bar	0.3
Dimensional characteristics		
Width	mm	670
Depth	mm	485
Height	mm	640
Gross weight	Kg	74
Water connections		
Flow	∅	1 1/2"
Gas	∅	1"
Return	∅	1 1/2"
Fume exhaust fittings		
Maximum electric fan pressure available	Pa	100 (Single unit)

2. MAINTENANCE

Minimum electric fan pressure available	Pa	21,5 (Single unit)
Max discharge length Ø80/125 - Hor Co-ax	m	1 (Single unit)
Max discharge length Ø80/80 - Hor Split	m	40 (Single unit)
Max discharge length Ø80 - Hor duct	m	25 (Single unit)
Max discharge length Ø100 - Hor duct	m	30
Max discharge length Ø80/125 - Vert Co-ax	m	1 (Single unit)
Max discharge length Ø80/80 - Vert Split	m	40 (Single unit)
Max discharge length Ø80 - Vert duct	m	25 (Single unit)
Max discharge length Ø100 - Vert duct	m	30
Electrical specifications		
Voltage-frequency	V/Hz	220-230/50
Max Absorbed Power	W	216
Insulation rate	IP	X5D
Gas supply		
Nominal supply pressure - G20	mbar	20
Min. Inlet pressure - G20	mbar	15
Max. Inlet pressure - G20	mbar	25
Heating Max. fan speed - G20	Hz	250
Heating Min. fan speed - G20	Hz	45
Fuel consumption - G20	m ³ /h	12.48
Nominal Supply pressure - G30	mbar	30
Min. Inlet pressure - G30	mbar	25
Max. Inlet pressure - G30	mbar	35
Heating Max. fan speed - G30	Hz	228
Heating Min. fan speed - G30	Hz	45
Fuel consumption - G30	kg/h	9.30
Nominal Supply pressure - G31	mbar	37
Min. Inlet pressure - G31	mbar	25
Max. Inlet pressure - G31	mbar	45
Heating Max. fan speed - G31	Hz	248
Heating Min. fan speed - G31	Hz	45
Fuel consumption - G31	kg/h	9.16

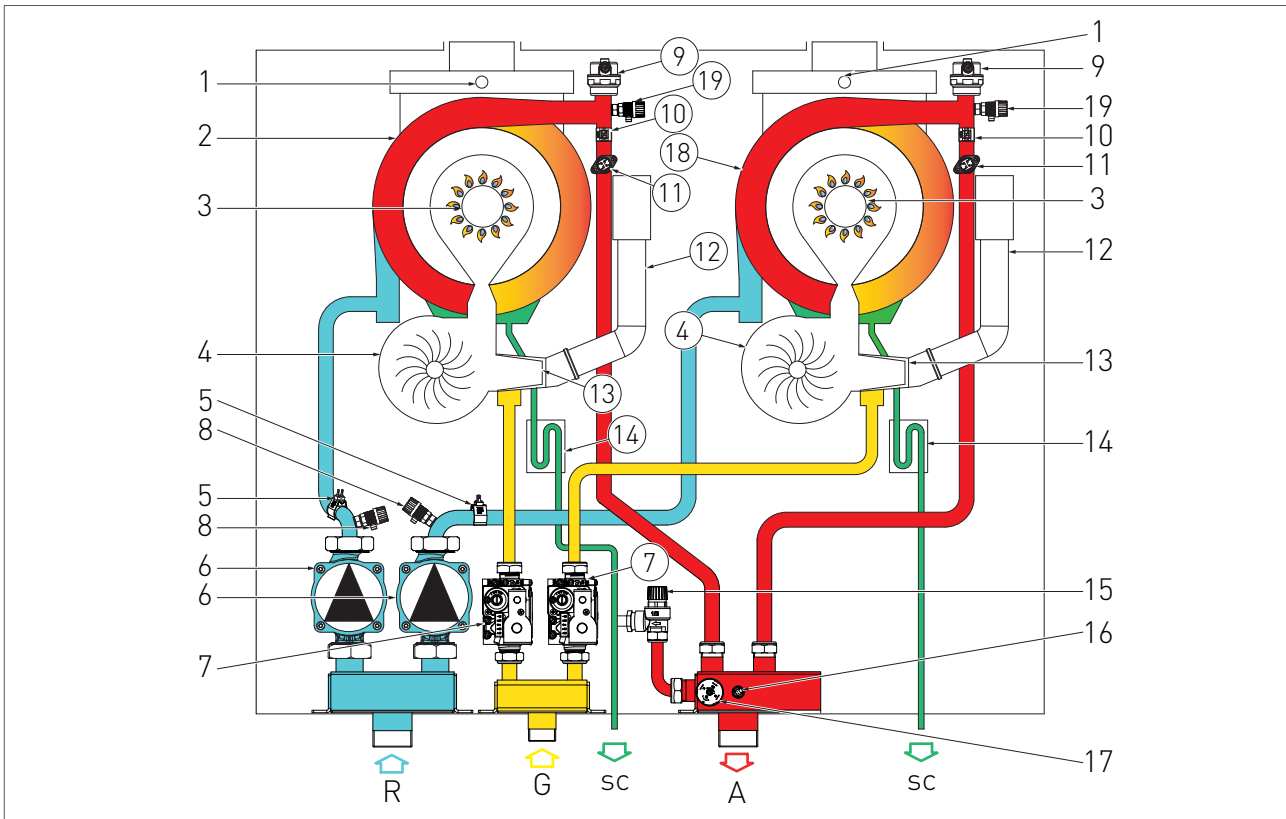
2.2.9. TECHNICAL ASSEMBLY



KEY

1. FUMES SAFETY THERMOFUSE
2. SLAVE UNIT HEAT EXCHANGER
3. BURNER UNIT
4. DETECTION ELECTRODE
5. RETURN PROBE
6. ELECTRIC FAN
7. CIRCULATOR
8. GAS VALVE
9. AUTOMATIC AIR RELIEF VALVE
10. MANUAL AIR RELIEF VALVE
11. HEATING PROBE
12. SAFETY THERMOSTAT
13. LIGHT UP ELECTRODE
14. AIR SUCTION TUBE
15. START-UP TRANSFORMER
16. PROPORTIONAL VENTURI
17. SAFETY VALVE 3 bar
18. WATER PRESSURE SWITCH
19. COLLECTOR PROBE
20. MASTER UNIT HEAT EXCHANGER
21. AIR PRESSURE SWITCH

2.2.7. HYDRAULIC BOARD



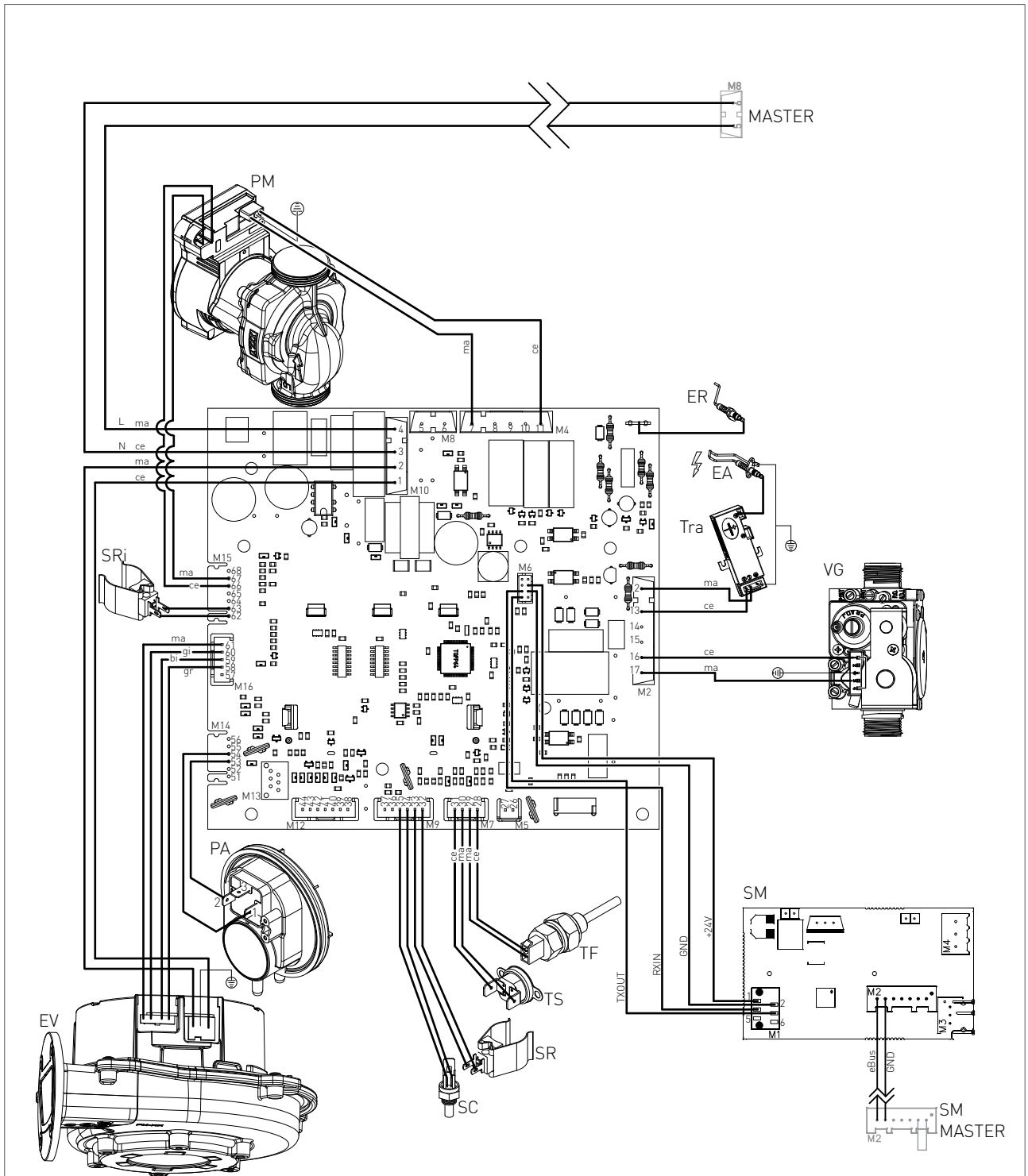
KEY

- R. HEATING RETURN
- G. GAS INLET
- SC. CONDENSATE DRAIN
- A. HEATING FORWARD

- 18. MASTER HEAT EXCHANGER
- 19. MANUAL AIR RELIEF VALVE

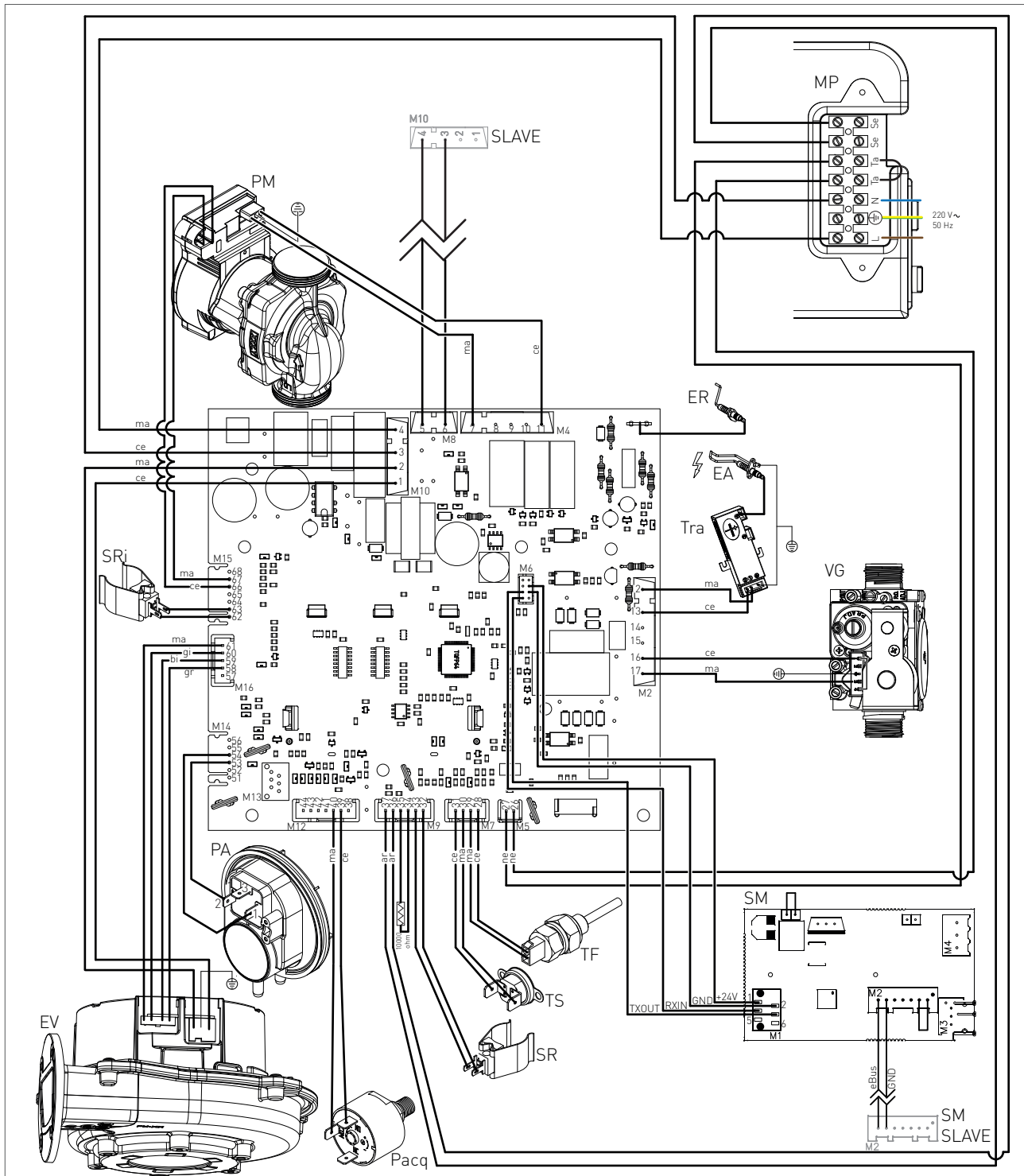
- 1. FUMES SAFETY THERMOFUSE
- 2. SLAVE HEAT EXCHANGER
- 3. BURNER UNIT
- 4. ELECTRIC FAN
- 5. RETURN PROBE
- 6. CIRCULATOR
- 7. GAS VALVE
- 8. SYSTEM DRAINING TAP
- 9. AUTOMATIC AIR RELIEF VALVE
- 10. HEATING PROBE
- 11. SAFETY THERMOSTAT
- 12. AIR SUCTION TUBE
- 13. PROPORTIONAL VENTURI
- 14. CONDENSATE COLLECTION SIPHON
- 15. SAFETY VALVE 3 bar
- 16. COLLECTOR PROBE
- 17. WATER PRESSURE SWITCH

2.2.8. SLAVE BOARD ELECTRICAL CONNECTIONS



- | | | |
|---------------------------|------------------------------|-------------------------|
| ER: DETECTION ELECTRODE | TS: SAFETY THERMOSTAT | CE: BLUE |
| EA: START-UP ELECTRODE | SM: MODBUS BOARD | MA: BROWN |
| PM: MODULATING CIRCULATOR | SR: HEATING PROBE | PA: AIR PRESSURE SWITCH |
| VG: GAS VALVE | EV: ELECTRIC FAN | L: LINE |
| TRA: START-UP TRANSFORMER | TF: FUMES THERMOFUSE (102°C) | N: NEUTRAL |
| SC: COLLECTOR PROBE | SRI: SYSTEM RETURN PROBE | NE: BLACK |
| | | GR: GREY |

2.2.9. MASTER BOARD ELECTRICAL CONNECTIONS



- | | | | |
|---------------------------|------------------------------|----------------------------|------------|
| ER: DETECTION ELECTRODE | TS: SAFETY THERMOSTAT | MP: PANEL TERMINAL | CE: BLUE |
| EA: START-UP ELECTRODE | PACQ: WATER PRESSURE SWITCH | SE: EXTERNAL PROBE | MA: BROWN |
| PM: MODULATING CIRCULATOR | SR: HEATING PROBE | TA: ENVIRONMENT THERMOSTAT | AR: ORANGE |
| VG: GAS VALVE | EV: ELECTRIC FAN | L: LINE | GI: YELLOW |
| TRA: START-UP TRANSFORMER | TF: FUMES THERMOFUSE (102°C) | N: NEUTRAL | BI: WHITE |
| SM: MODBUS BOARD | SRI: SYSTEM RETURN PROBE | NE: BLACK | GR: GREY |
| PA: AIR PRESSURE SWITCH | | | |

2.2.13. ACCESSING THE BOILER

For the majority of the control and maintenance operations you have to remove one or more panels of the casing.

The side panels can be removed only after removing the front panel.

To intervene on the front of the boiler proceed as follows:

- › remove the fastening screws (1 - fig.1) placed on the lower edge of the front panel;
- › grab the front panel from the bottom and remove it pulling it to yourself and then upwards (see fig. 1).

To intervene on the side panels of the boiler proceed as follows:

- › remove the fastening screws (2 - fig.1) placed on the front edge of the side panel;
- › grab the bottom of the panel and remove it by moving it sideways and then pulling it upwards (see fig. 1).

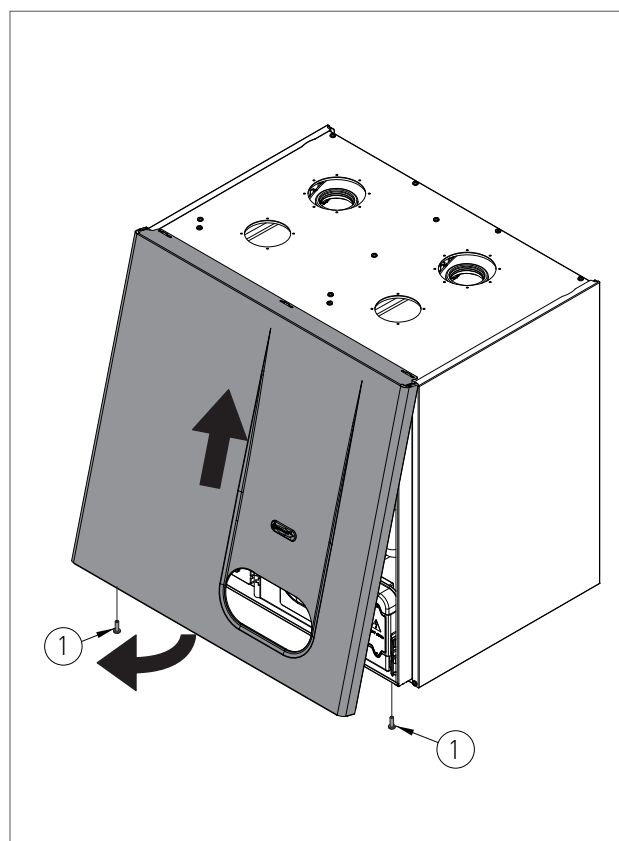
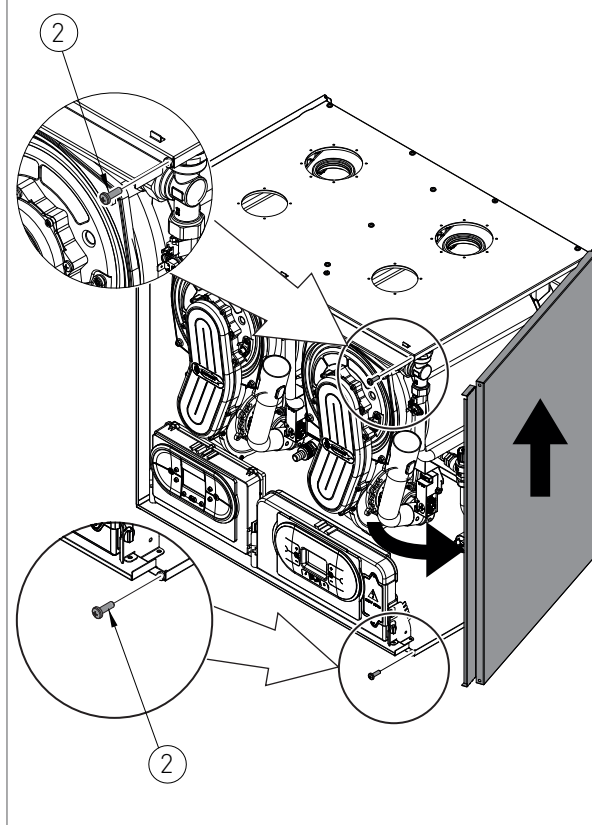


fig. 1



2.2.10. ACCESSING THE MASTER ELECTRONIC BOARD

In order to intervene on the electrical connections of the master electronic board, please proceed as follows:



DANGER

Cut off the voltage from the main switch.

- › Grab at the same time the support brackets of the control panel (fig. 1) loosening them and turn the panel downwards;
- › unscrew the four fastening screws 1 - fig. 1;
- › remove the crankcase pulling it upwards.

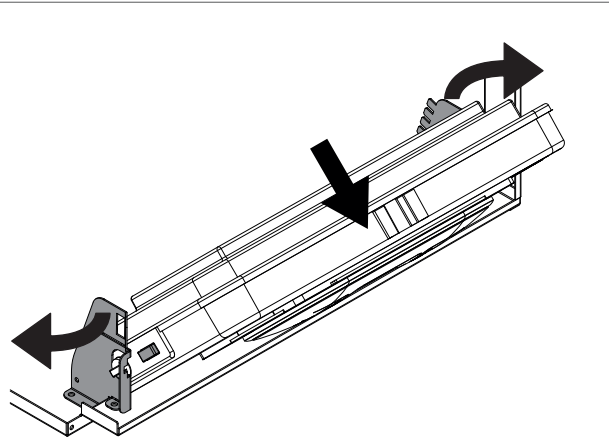
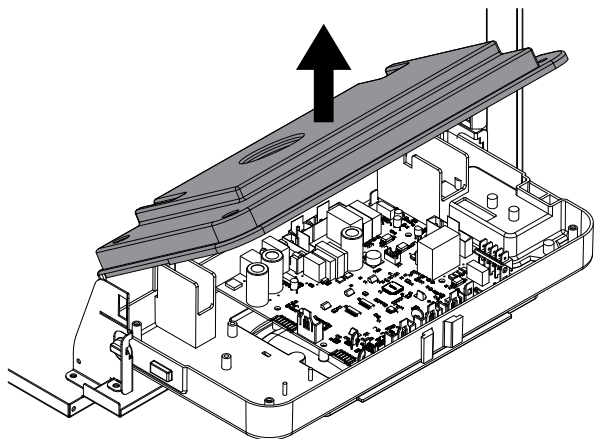
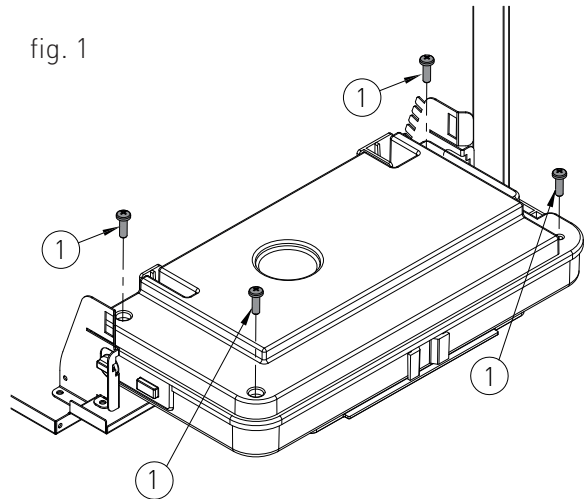


fig. 1



2.2.11. ACCESSING THE SLAVE ELECTRONIC BOARD

In order to intervene on the electrical connections of the slave electronic board, please proceed as follows:



DANGER

Cut off the voltage from the main switch.

- > Grab at the same time the support brackets of the control panel (fig. 1) loosening them and turn the panel downwards;
- > unscrew the two fastening screws 1 - fig. 1;
- > release the four hooks '2' - fig. 1;
- > remove the crankcase pulling it upwards.

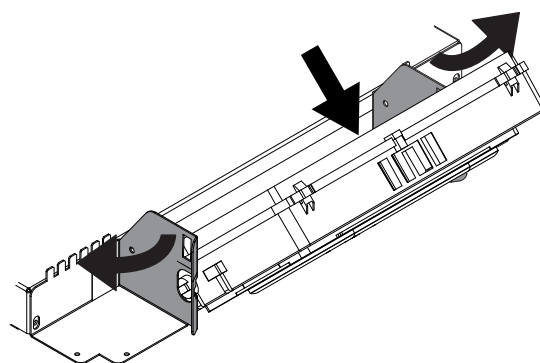
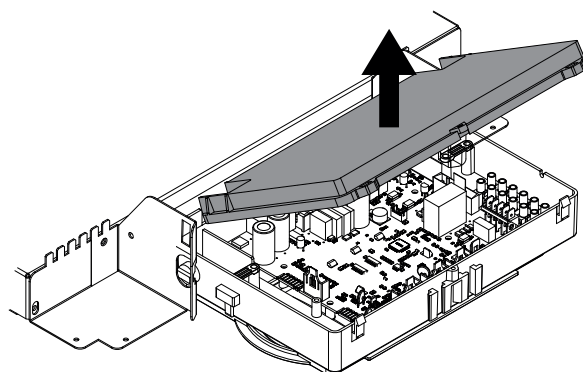
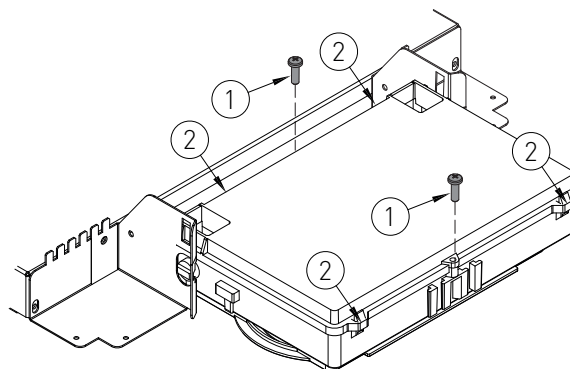


fig. 1



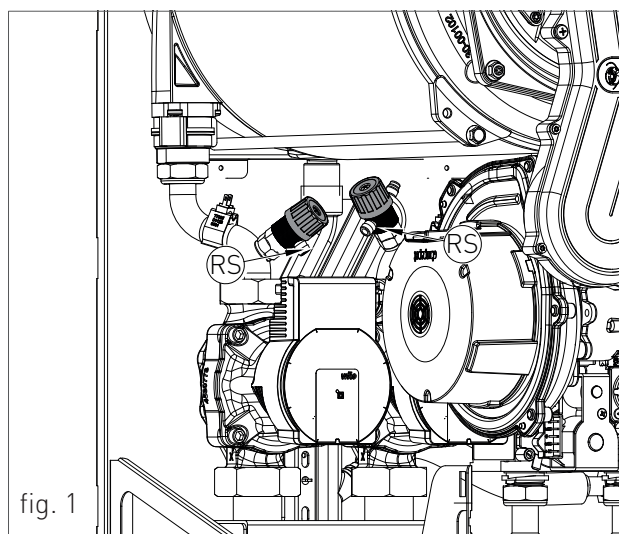
2.2.16. SYSTEM EMPTYING

It is not recommended to empty the heating system as the changes of water generate the increase of limestone deposits inside the exchangers. In case it is necessary to protect against freezing the heating circuit by adding anti-freeze liquid to the system water, these products must be approved by the company.

The possible limestone descaling of the elements of the heat generators must be performed by means of the substances approved by the company, in compliance with what has been specified in the safety data sheet of the used product, ventilating the environment, wearing protective clothing, avoiding mixing different products, protecting the device and the surrounding objects.

Whenever you need to empty the system, proceed as follows:

- › turn off the main power supply switch;
- › wait for the boiler to cool down;
- › connect a flexible tube to the system emptying outlet and connect the other end of the tube to a suitable discharge;
- › rotate the RS draining tap of the generator (fig. 1) and, if installed, of the hydraulic compressor and of the collectors of the system;
- › open the relief valves of the radiators starting from the one at the top and continuing downwards;
- › after draining out all water, close the relief valves of the radiators and the emptying tap;
- › if it is necessary to empty only the boiler, close the delivery/return sectioning taps of the heating circuit and open only the draining tap placed on the lower part of the boiler and inserted in the pump collector.



2.2.12. FAULT SIGNALLING CODES

The fault signalling codes are displayed only on the display of the master control panel.

Except for the faults common for both units (as for example: E04, E78, E06, E99), the fault signalling code will be displayed with the prefix '01' or '02', which indicates that in that unit, there is a fault (01 = main master unit, 02 = secondary slave unit).

If there is a fault in both units, the display shows only the most serious signalling code. In order to view the next signalling code, press the '+' key of the 'S' symbol. After restoring the first fault, the display will show the next alternating signalling code of the temperature of the collector. In order to manually reset the unit, press the RESET 'R' key when the display shows the signalling code.

To view the last 5 fault signalling codes chronologically, starting with the most recent one, activate the 'OFF' mode by pressing the FUNCTION key and hold the key INFO 'i' for 5 seconds. Use keys '+' and '-' of the heating circuit to scroll through the list of saved faults. To reset the fault history press the RESET 'R' key. To exit display mode press the INFO 'i' key.

When a signalling code represents a fault common to both units (such as for example: E04, E78, E06, E99) it will be preceded by the message E(x)', where '(x)' will be the chronologically order number in the last 5 signalling.

2. MAINTENANCE

CODE	FAULT	POSSIBLE CAUSE	SOLUTION	RESET
E01	FLAME BLOCK	NO FLAME LIGHT UP		MANUAL RESET (HOLD THE RESET Ⓡ KEY FROM THE MASTER CONTROL PANEL).
		GAS MISSING;	CHECK THE ADDUCTION NETWORK;	
		MASS OR BROKEN START- UP ELECTRODE;	REPLACE IT;	
		GAS VALVE BROKEN;	REPLACE IT;	
		SLOW LIGHT UP TOO LOW ADJUSTMENT;	ADJUST MINIMUM OR SLOW LIGHT UP; ADJUSTMENT;	
		PRESSURE TOO HIGH AT THE INPUT OF THE GAS VALVE (ONLY FOR GPL BOILER).	CHECK THE MAXIMUM ADJUSTMENT PRESSURE	
		WITH FLAME LIGHT UP		
		NEUTRAL AND PHASE INVERTED POWER SUPPLY;	PROPERLY CONNECT THE POWER SUPPLY;	
		DETECTION ELECTRODE BROKEN;	REPLACE IT;	
		DETECTION ELECTRODE CABLE DISCONNECTED.	CHECK THE WIRING.	
ELECTRICAL CURRENT PHASE-PHASE	IF THE TENSION MEASURES BETWEEN NEUTRAL AND GROUND IS ALMOST EQUAL TO THE ONE MEASURED BETWEEN PHASE AND GROUND, YOU HAVE TO INSTALL A PHASE-PHASE TRANSFORMER KIT (COD. 88021LA)			
E02	SAFETY THERMOSTAT (95°C)	THERMOSTAT CABLE BROKEN OR DISCONNECTED;	CHECK THE WIRING;	AUTOMATIC.
		BROKEN THERMOSTAT	REPLACE IT.	

2. MAINTENANCE

CODE	FAULT	POSSIBLE CAUSE	SOLUTION	RESET
E03	FUMES SAFETY THERMOFUSE (102°C)	THERMOFUSE BROKEN;	REPLACE IT;	MANUAL RESET (HOLD THE RESET Ⓡ KEY FROM THE MASTER CONTROL PANEL).
		THERMOFUSE CABLE DISCONNECTED.	CHECK THE WIRING.	
E04	WATER MISSING IN THE SYSTEM	INSUFFICIENT WATER PRESSURE INSIDE THE SYSTEM (LOWER THAN 0.3 BAR);	LOAD THE SYSTEM;	AUTOMATIC.
		WATER PRESSURE SWITCH CABLE DISCONNECTED;	CHECK THE WIRING;	
		WATER PRESSURE SWITCH BROKEN.	REPLACE IT.	
E05	HEATING PROBE	BROKEN OR INCORRECTLY CALIBRATED PROBE (RESISTANCE VALUE 10 KOHM AT 25 °C NTC);	REPLACE IT;	AUTOMATIC.
		DISCONNECTED OR WET PROBE CONNECTOR.	CHECK THE WIRING.	
E06	DOMESTIC PROBE	BROKEN OR INCORRECTLY CALIBRATED PROBE (RESISTANCE VALUE 10 KOHM AT 25 °C NTC);	REPLACE IT;	AUTOMATIC.
		DISCONNECTED OR WET PROBE CONNECTOR.	CHECK THE WIRING.	
E14	AIR PRESSURE SWITCH	AIR PRESSURE SWITCH CABLE DISCONNECTED;	CHECK THE WIRING;	MANUAL RESET (HOLD THE RESET Ⓡ KEY FROM THE MASTER CONTROL PANEL).
		DISCHARGE OR SUCTION CLOSED;	CHECK THE FUMES DISCHARGE DUCT;	
		AIR PRESSURE SWITCH DEFECTIVE.	REPLACE IT.	





2. MAINTENANCE

CODE	FAULT	POSSIBLE CAUSE	SOLUTION	RESET
E15	RETURN PROBE	BROKEN OR INCORRECTLY CALIBRATED PROBE (RESISTANCE VALUE 10 KOHM AT 25 °C NTC);	REPLACE IT;	AUTOMATIC.
		DISCONNECTED OR WET PROBE CONNECTOR.	CHECK THE WIRING.	
E16	ELECTRIC FAN	ELECTRIC FAN BOARD BROKEN;	REPLACE IT;	AUTOMATIC.
		ELECTRIC FAN BROKEN;	REPLACE IT;	
		FAULTY POWER SUPPLY CABLE.	REPLACE IT.	
E18	INSUFFICIENT CIRCULATION	EXCHANGER OBSTRUCTED;	CLEAN OR REPLACE THE EXCHANGER;	AUTOMATIC.
		CIRCULATOR BROKEN OR DIRTY IMPELLER.	CLEAN THE IMPELLER OR REPLACE THE CIRCULATOR.	
E21	GENERAL INTERNAL BOARD ERROR	INCORRECT SIGNAL RECOGNITION BY THE MODULATION BOARD MICRO-PROCESSOR.	IF THE MODULATION BOARD DOES NOT RESET THE ERROR AUTOMATICALLY, REPLACE IT.	AUTOMATIC.
E22	PARAMETERS PROGRAMMING REQUEST	MICRO=PROCESSOR MEMORY LOSS.	PARAMETERS REPROGRAMMING.	MANUAL RESET (CUT OFF THE TENSION).
E31	SOLAR AUXILIARY BOARD CONNECTION FAULTS	SOLAR AUXILIARY BOARD DISCONNECTED.	SET MANUALLY THE VALUE OF PARAMETER P34 TO '0'.	AUTOMATIC.
E32	COMMUNICATION ERROR BETWEEN THE BOILER BOARD AND THE MODBUS BOARD	NO ELECTRICAL CONNECTION;	CHECK THE WIRING;	AUTOMATIC.
		MODBUS BOARD BROKEN;	REPLACE IT;	

2. MAINTENANCE

CODE	FAULT	POSSIBLE CAUSE	SOLUTION	RESET
E35	RESIDUAL FLAME	FAULTY DETECTION ELECTRODE;	CLEAN IT OR REPLACE IT;	MANUAL RESET (HOLD THE RESET  KEY FROM THE MASTER CONTROL PANEL).
		FAULTY DETECTION ELECTRODE CABLE;	REPLACE IT;	
		FAULTY MODULATION BOARD.	REPLACE IT.	
E40	SUPPLY VOLTAGE	SUPPLY VOLTAGE OFF THE OPERATION RANGE (≤ 160 VOLTS).	CHECK THE POWER SUPPLY NETWORK (THE ERROR DEACTIVATES AUTOMATICALLY AS SOON AS THE SUPPLY VOLTAGE FALLS BACK WITHIN THE REQUESTED LIMITS).	AUTOMATIC.
E52	COMMUNICATION FAULT BETWEEN MODBUS CONTROLLER AND MODBUS CONTROL UNIT	NO ELECTRICAL CONNECTION;	CHECK THE WIRING;	AUTOMATIC.
		MODBUS CONTROL UNIT BROKEN.	REPLACE IT;	
E78	COLLECTOR PROBE	BROKEN OR INCORRECTLY CALIBRATED PROBE (RESISTANCE VALUE 10 KOHM AT 25 °C NTC);	REPLACE IT;	AUTOMATIC.
		DISCONNECTED OR WET PROBE CONNECTOR.	CHECK THE WIRING.	
E99	GENERAL ERROR COMING FROM THE CRAD AREA BOARD	GENERAL ERROR.	ON THE CONTROL PANEL OF THE CRAD AREA BOARD, CHECK THE TYPE OF ERROR DISPLAYED AND READ ABOUT THE POSSIBLE REFERENCE SOLUTIONS IN THE MANUAL OF THE CRAD AREA BOARD.	AUTOMATIC.

2.2.13. ACTIVE FUNCTIONS SIGNALLING CODES

CODE	FUNCTION	DESCRIPTION
F07	CHIMNEY SWEEP ACTIVE	YOU CAN ACTIVATE IT BY HOLDING FOR 7 SECONDS THE RESET  KEY AND YOU CAN DEACTIVATE IT BY TURNING OFF THE BOILER. THIS FUNCTION BRINGS THE BOILER TO ITS MINIMUM AND MAXIMUM HEATING POWER FOR 15 MINUTES DEACTIVATING THE MODULATION FUNCTION. GENERALLY USED FOR PERFORMING THE COMBUSTION AND CALIBRATION TESTS.
F08	HEATING CIRCUIT ANTI-FREEZE	IT ACTIVATES AUTOMATICALLY WHEN THE HEATING PROBE DETECTS A TEMPERATURE OF 12°C. THE BOILER OPERATES AT MINIMUM GAS PRESSURE WITH THE DIVERTER VALVE SET TO 'WINTER' MODE. IT DEACTIVATES WHEN IT REACHES A TEMPERATURE OF 30°C OF THE DELIVERY WATER AND, IF THE RETURN PROBE IS MOUNTED, WHEN IT REACHES A RETURN TEMPERATURE OF 20°C.
F09	DOMESTIC ANTI-FREEZE	IT ACTIVATES AUTOMATICALLY WHEN THE DOMESTIC PROBE DETECTS A TEMPERATURE OF 4°C. THE BOILER OPERATES AT MINIMUM GAS PRESSURE WITH THE DIVERTER VALVE SET TO 'SUMMER' MODE. IT DEACTIVATES WHEN IT DETECTS A TEMPERATURE OF 8°C.
F28	ANTI-LEGIONELLA	IT ACTIVATES FOR THE FIRST TIME AFTER THE NEXT 60 MINUTES AFTER POWER SUPPLYING THE BOILER. AS OF THAT MOMENT, IT AUTOMATICALLY OPERATES EVERY 7 DAYS, BRINGING THE TEMPERATURE OF THE WATER INSIDE THE BOILER OVER 60°C. THIS FUNCTION IS ACTIVATED INDEPENDENTLY FROM THE STATUS OF THE BOILER TIME CONTACT, IF ENABLED BY THE CORRESPONDING PARAMETER (P15).
F33	SYSTEM AIR RELEASE CYCLE	IF THE WATER PRESSURE SWITCH CONFIRMATION IS MISSING, WHEN THE CONTACT IS RE-CLOSED, A 2 MINUTES RELEASE CYCLE WILL BE PERFORMED. REGULAR OPERATION IS ALLOWED ONLY AFTER THIS FUNCTION IS COMPLETED.
FH	FAST H2O	YOU CAN ACTIVATE/DEACTIVATED IT BY HOLDING SIMULTANEOUSLY AND FOR 7 SECONDS THE RESET  AND  DEL SÍMBOLO 'S'  . THE "FAST H2O" FUNCTION GUARANTEES THE IMMEDIATE D.H.W SUPPLY AT THE REQUESTED TEMPERATURE.

2.2.14. GAS TYPE TRANSFORMATION



ATTENTION

Make sure that the gas adduction tube is suitable for the new type of fuel with which the boiler is supplied.

- › loosen the two screws '1' (fig.1) from the fastening bush, and remove the air suction tube;
- › unscrew the tube coupling that connects the gas valve to venturi;
- › unscrew the three fastening screws '2' (fig.1) of the venturi 'V' (fig.1) using a 10 key, as shown in figure 2;
- › remove the two screws '3' (fig.3) and apply pressure on the rear side of venturi 'C' (fig.3);
- › replace the body venturi with the one suitable for the type of supply gas (cod. 30-00225 for methane / cod. 30-00226 for GPL) and make sure the tooth 'D' (fig.3) is adjusted downwards on the aluminium ring nut (see fig.3);
- › remount the components following the demounting operations in reverse making sure that gasket 'G' is re-assembled as shown in fig.1;
- › set the boiler to operate with the new type of gas, changing the value of the parameter P02 'GAS TYPE SELECTION' from the control panel (see chapters 'DIGITECH CS PARAMETERS TABLE' and 'ACCESSING AND PROGRAMMING THE PARAMETERS');
- › adjust the CO₂ combustion value as indicated in chapter 'CO₂ VALUE CHECK AND CALIBRATION'.

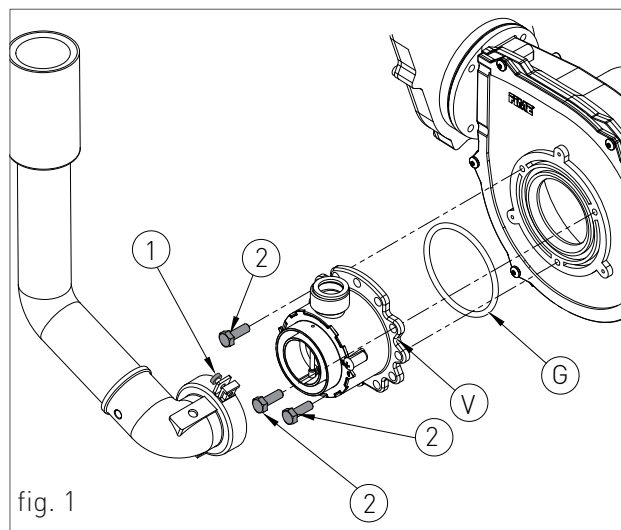


fig. 1

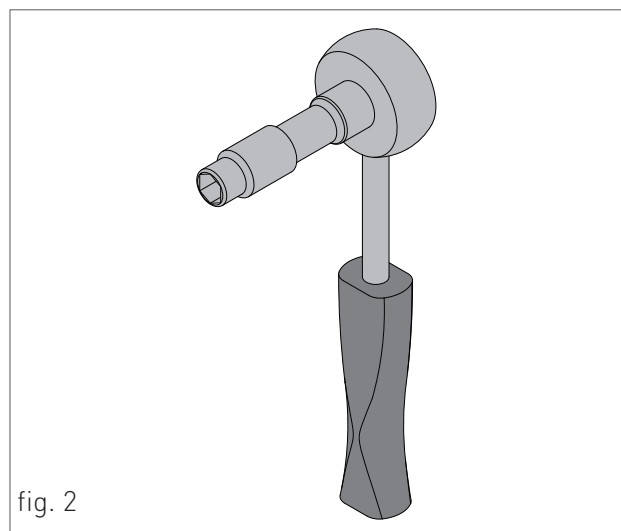


fig. 2

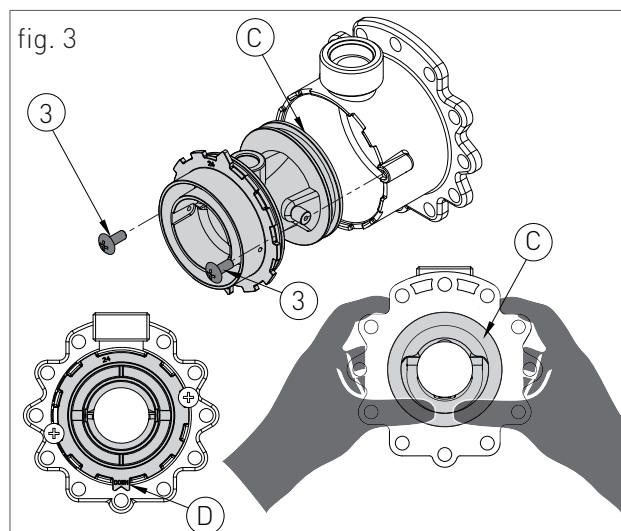


fig. 3

3. USER SECTION

The operations described in this section are addressed to all those who will use the machine. The machine must be used and accessed only by qualified operators that fully read and understood the User section, paying particular attention to the warnings.

3.1. USE

3.1.1. GENERAL USE WARNINGS

**WARNING**

Before starting the boiler the User must make sure that the First start-up certificate has the stamp of the technical Support Centre proving the testing and the first start-up of the boiler.

**WARNING**

In order to take advantage of the guarantee provided by the manufacturer, the customer should carefully and exclusively observe the instructions given in the USER section of the manual.

**ATTENTION**

This machine may be used only for the purpose for which it has been designed: heat water to a temperature below boiling point at atmospheric pressure. Any other use is considered wrong and dangerous. The manufacturer is excluded from any contractual or out of contract responsibility for damage caused to people, animals or property due to incorrect use.

**DANGER**

The boiler should not be used by persons (including children) with reduced physical, sensory or mental capacities or without suitable knowledge or experience unless they are instructed on the device use or monitored by a person responsible for their safety.

**DANGER**

DO NOT obstruct the air vents of the location in which the gas device is installed to prevent the formation of toxic explosive mixes.

**DANGER**

If you sense a gas odour in the location in which the boiler is installed, proceed as follows:

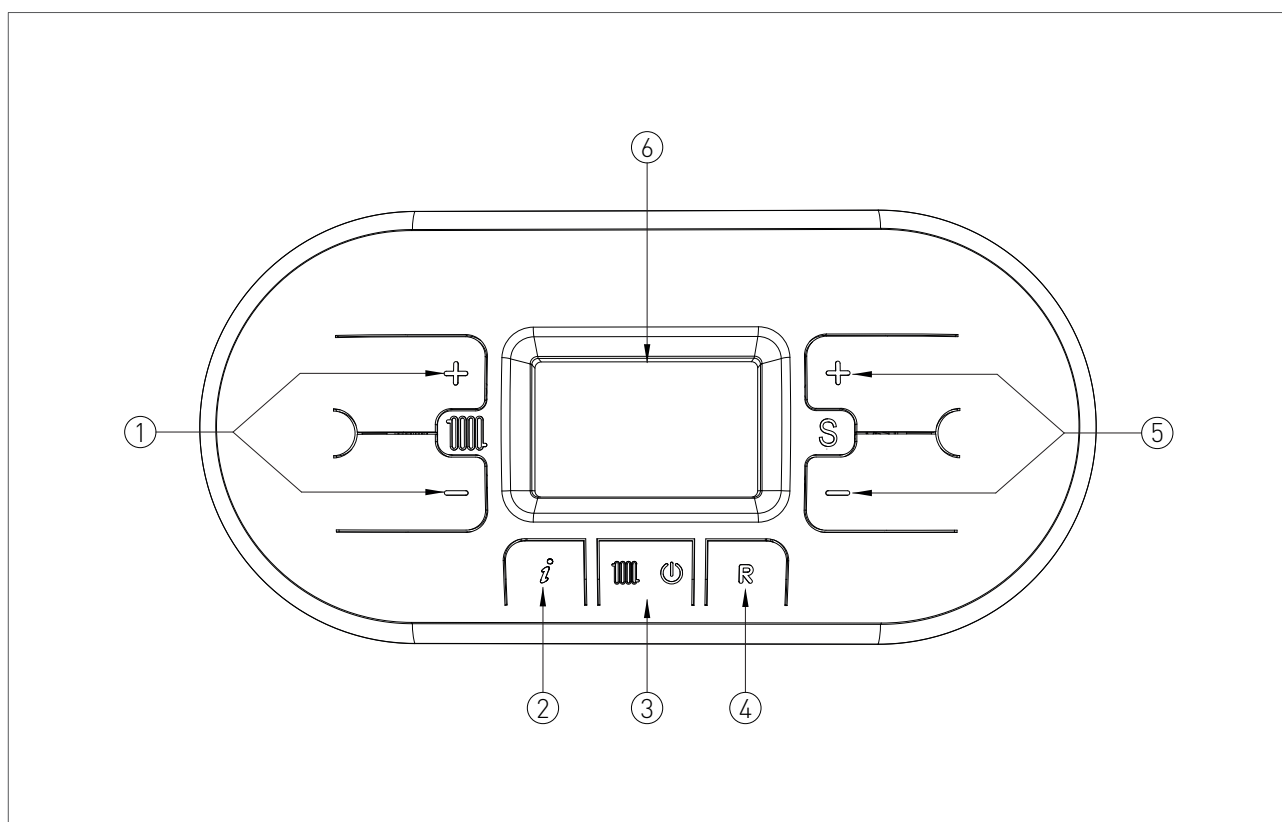
- › DO NOT use electrical switches, the telephone or any other device that might generate electrical discharges or sparks;
- › Immediately open all doors and windows to create an air exchange that can quickly clean the location;
- › Close the gas valves;
- › Request immediate intervention of qualified staff.

**DANGER**

The use of the electrical power boiler implies respecting some fundamental rules such as:

- › DO NOT touch the device with wet and/or humid parts and/or with bare feet;
- › DO NOT pull the electrical cables;
- › DO NOT leave the device exposed to atmospheric agents (rain, sun, etc.) unless specifically intended;
- › in case of cable damage, turn off the device and contact qualified professional staff to replace it.

3.1.2. CONTROL PANEL



KEY

6. DISPLAY

1. HEATING TEMPERATURE ADJUSTMENT KEYS
2. INFO KEY: PRESS ONCE TO VIEW THE TEMPERATURES AND OTHER INFORMATION (see chapter 'INFO MENU DISPLAY') - HOLD FOR 5 SECONDS, IN OFF OPERATING MODE, TO VIEW THE LAST 5 FAULTS
3. OPERATING MODE SELECTION KEY: ONLY HEATING / OFF
4. RESET KEY: FAULTS RESET - CHIMNEY SWEEP FUNCTION ACTIVATION (HOLD FOR 7 SECONDS)
5. VALUE OF THE PARAMETERS ADJUSTMENT KEY / HOLD THE KEYS AT THE SAME TIME FOR 5 SECONDS TO ACTIVATE DISPLAY BACK LIGHT FOR 10 MINUTES

3.1.3. DISPLAY ICONS

KEY

1. PARAMETER NUMBER INDICATION / DISPLAYED INFO CODE / UNIT IN WHICH THE FAULT CODE IS PRESENT
2. ACTIVE PARAMETER PROGRAMMING FUNCTION / INDICATES THAT A SINGLE UNIT WAS DEACTIVATED BY PARAMETER P06
3. SIGNALLING CONNECTED SOLAR BOARD / SOLAR COLLECTOR TEMPERATURE DISPLAY (d5)
4. SOLAR PUMP ACTIVE
5. BOILER LOWER TEMPERATURE DISPLAY (d6) / BOILER UPPER TEMPERATURE DISPLAY (d7)
6. EXTERNAL PROBE INSTALLED / EXTERNAL PROBE TEMPERATURE (d1)
7. TEMPERATURE DISPLAY / SET POINT / PARAMETER VALUE
8. OPEN THERM COMMUNICATION PRESENT (REMOTE CONTROL / AREA CONTROL UNIT)
9. INSUFFICIENT SYSTEM WATER PRESSURE SIGNALLING
10. FLAME PRESENT SIGNALLING / IT ALSO INDICATES, ON 3 PERCENTAGE LEVELS, THE MODULATING POWER LEVEL OF THE BOILER (fig.2)
11. OPERATION IN DOMESTIC CIRCUIT MODE ENABLED (ONLY FOR THE VERSION WITH REMOTE BOILER SUPPLY SYSTEM).
12. ERROR DISPLAY THAT CAN BE RESET
13. OFF OPERATING MODE

14. ERROR DISPLAY THAT CAN NOT BE RESET
15. OPERATION IN HEATING MODE ENABLED

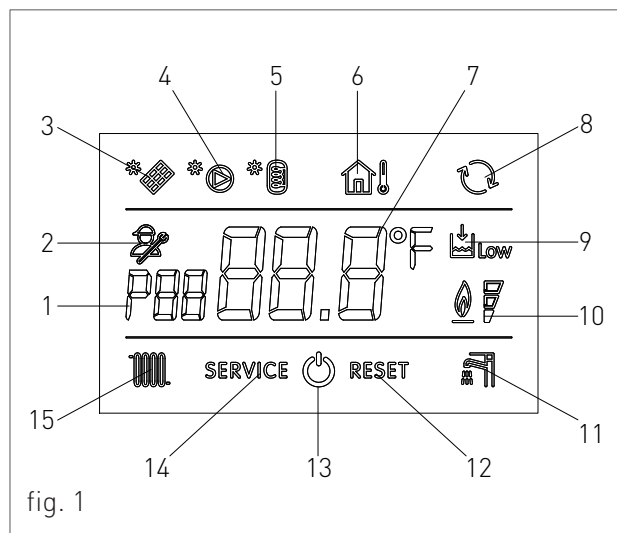


fig. 1

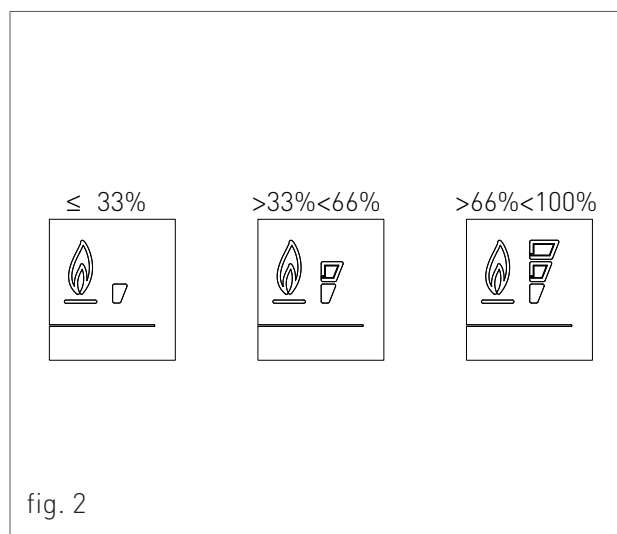









fig. 2

3.1.4. INFO MENU DISPLAY DATA


To view the boiler data from info menu you just have to press the INFO  key. The info code will be displayed on the left side of the screen and its relative value will be displayed on the centre of the screen. Use keys  and  of the heating circuit  to scroll through the list of displayed data. To exit display mode press the INFO  key.

LIST OF DISPLAYED DATA

INFO CODE	ICON	DESCRIPTION
d00		DOMESTIC CIRCUIT PROBE TEMPERATURE (ONLY FOR THE VERSION WITH REMOTE BOILER SUPPLY SYSTEM).
d01		EXTERNAL PROBE TEMPERATURE
d02		BOTTOM AREA PROBE TEMPERATURE (IF CRAD AREA BOARD INSTALLED)
d03		TOTAL POWER PERCENTAGE SUPPLIED BY THE BOILER
d10		DELIVERY PROBE TEMPERATURE OF THE MASTER UNIT
d11		RETURN PROBE TEMPERATURE OF THE MASTER UNIT
d12		FAN SPEED OF THE MASTER UNIT
d20		DELIVERY PROBE TEMPERATURE OF THE SLAVE UNIT
d21		RETURN PROBE TEMPERATURE OF THE SLAVE UNIT
d22		FAN SPEED OF THE SLAVE UNIT

3.1.5. START-UP

Before starting the boiler make sure that it is powered and that the gas tap below the boiler is open.



To start the boiler press the function key  and select the desired operating mode. If the symbol is displayed fixed, it means that the function was activated.


3.1.6. OPERATING MODE

SUMMER MODE

(ONLY FOR THE VERSION WITH REMOTE BOILER SUPPLY SYSTEM).



In this mode the boiler meets only the demands of domestic hot water.


To switch the boiler to SUMMER operating mode, press the function key , the symbol  will appear fixed on the display, indicating that the function is enabled.

Whenever hot domestic water is needed the automatic start-up system will start the burner; this is indicated by displaying the symbol  blinking.

HEATING ONLY MODE

In this mode the boiler meets only the demands of heating.




To switch the boiler to HEATING ONLY operating mode, press the function key , the symbol  will appear fixed on the display, indicating that the function is enabled.



Whenever heating energy is needed to heat the rooms the automatic start-up system will start the burner; this is indicated by displaying the symbol  blinking.

WINTER MODE




(ONLY FOR THE VERSION WITH REMOTE BOILER SUPPLY SYSTEM).



In this mode the boiler meets the demands of heating and of domestic hot water.

To switch the boiler to WINTER operating mode, press the function key , the symbols  and  will appear fixed on the display, indicating that the function is enabled.

Whenever heating energy and domestic hot water are needed the automatic start-up system will start the burner; this is indicated by displaying the symbol  e  blinking.

ADJUSTING THE HEATING TEMPERATURE

You can adjust the temperature using keys  and  of the heating circuit .

- press key  to decrease the temperature.
- press key  to increase the temperature.

The heating temperature adjustment field ranges from 30 °C to 80 °C (25 °C – 45 °C for floor systems).

DOMESTIC HOT WATER TEMPERATURE ADJUSTMENT



You can adjust the temperature using keys '+' and '-' of the 'S' symbol:

- press key '-' to decrease the temperature.
- press key '+' to increase the temperature.

The hot domestic water temperature adjustment field ranges from 35 °C to 60 °C.

OFF MODE

In this mode the boiler no longer meets the heating and domestic hot water demands, the anti-freeze, pump anti-locking and diverter valve anti-locking systems still remain active.

To switch the boiler to OFF operating mode, press the function key , the symbol  will appear fixed on the display, indicating that the function is enabled.

If the boiler was previously running, it will be turned off and the post-ventilation and post-circulation functions will be enabled.

If you have to deactivate the boiler for a long period of time, proceed as follows:

- › contact the Technical support centre that will empty the water system, where no anti-freeze is intended, and will cut off the power, water and gas supply.
- › Or leave the boiler in OFF operating mode keeping active the electrical and gas supplies so that the anti-freeze function may activate.

3.1.7. INFORMATIONAL NOTE ON ANTI-FREEZE FUNCTION

The boiler is protected against freezing thanks to the electronic board preparation with functions that start the burner and heat the concerned parts when their temperature goes below the minimum pre-set values.






WARNING

This function is available only if:


- › the boiler is powered;
- › the gas supply is open;
- › the pressure of the system is proper;
- › the boiler is not blocked.

3.1.8. FAULT SIGNALLING CODES




The boiler might signal some faults by displaying a code. Below you have a list of the codes and of the operations to be performed in order to unlock the boiler.

CODE	ICON	FAULT	INTERVENTION
E01	RESET	FLAME BLOCK	<p>MAKE SURE THAT THE BOILER AND CONTACTOR GAS VALVES ARE OPEN.</p> <hr/> <p>PRESS THE RESET  BUTTON ON THE MASTER CONTROL PANEL TO RESET THE FAULT, AS SOON AS THE ERROR CODE DISAPPEARS FROM THE DISPLAY, THE BOILER WILL START AUTOMATICALLY.</p> <hr/> <p>IF THE BLOCK PERSISTS CONTACT THE TECHNICAL SUPPORT CENTRE.</p>
E02	RESET	SAFETY THERMOSTAT (95 °C)	CONTACT THE TECHNICAL SUPPORT CENTRE.
E03	RESET	FUMES SAFETY THERMOFUSE (102 °C)	CONTACT THE TECHNICAL SUPPORT CENTRE.
E04	 Low	WATER MISSING IN THE SYSTEM	<p>IF THE SYSTEM PRESSURE IS BELOW 1.2 BAR, FILL THE SYSTEM.</p> <hr/> <p>IF THE BLOCK PERSISTS CONTACT THE TECHNICAL SUPPORT CENTRE.</p>
E05	SERVICE	HEATING PROBE	CONTACT THE TECHNICAL SUPPORT CENTRE.
E06	SERVICE	DOMESTIC CIRCUIT PROBE	CONTACT THE TECHNICAL SUPPORT CENTRE.
E14	RESET	AIR PRESSURE SWITCH	<p>PRESS THE RESET  BUTTON ON THE MASTER CONTROL PANEL TO RESET THE FAULT, AS SOON AS THE ERROR CODE DISAPPEARS FROM THE DISPLAY, THE BOILER WILL START AUTOMATICALLY.</p> <hr/> <p>IF THE BLOCK PERSISTS CONTACT THE TECHNICAL SUPPORT CENTRE.</p>
E15	SERVICE	RETURN PROBE	CONTACT THE TECHNICAL SUPPORT CENTRE.
E16	SERVICE	ELECTRIC FAN	CONTACT THE TECHNICAL SUPPORT CENTRE.
E18	SERVICE	INSUFFICIENT CIRCULATION	CONTACT THE TECHNICAL SUPPORT CENTRE.

3. USE

CODE	ICON	FAULT	INTERVENTION
E21	SERVICE	GENERAL INTERNAL BOARD ERROR	<p>CUT OFF THE POWER SUPPLY FROM THE MAIN SWITCH AND THEN RESTORE IT, AS SOON AS THE ERROR CODE DISAPPEARS, THE BOILER WILL RESTART AUTOMATICALLY.</p> <hr/> <p>IF THE BLOCK PERSISTS CONTACT THE TECHNICAL SUPPORT CENTRE.</p>
E22	SERVICE	PARAMETERS PROGRAMMING REQUEST	<p>CUT OFF THE POWER SUPPLY FROM THE MAIN SWITCH AND THEN RESTORE IT, AS SOON AS THE ERROR CODE DISAPPEARS, THE BOILER WILL RESTART AUTOMATICALLY.</p> <hr/> <p>IF THE BLOCK PERSISTS CONTACT THE TECHNICAL SUPPORT CENTRE.</p>
E31	SERVICE	SOLAR AUXILIARY BOARD CONNECTION FAULTS	CONTACT THE TECHNICAL SUPPORT CENTRE.
E32	SERVICE	COMMUNICATION ERROR BETWEEN THE BOILER BOARD AND THE MODBUS BOARD	CONTACT THE TECHNICAL SUPPORT CENTRE.
E35	RESET	RESIDUAL FLAME	<p>PRESS THE RESET  BUTTON ON THE MASTER CONTROL PANEL TO RESET THE FAULT, AS SOON AS THE ERROR CODE DISAPPEARS FROM THE DISPLAY, THE BOILER WILL START AUTOMATICALLY.</p> <hr/> <p>IF THE BLOCK PERSISTS CONTACT THE TECHNICAL SUPPORT CENTRE.</p>
E40	SERVICE	SUPPLY VOLTAGE	CONTACT THE TECHNICAL SUPPORT CENTRE.
E52	SERVICE	COMMUNICATION FAULT BETWEEN MODBUS CONTROLLER AND MODBUS CONTROL UNIT	CONTACT THE TECHNICAL SUPPORT CENTRE.
E78	SERVICE	COLLECTOR PROBE	CONTACT THE TECHNICAL SUPPORT CENTRE.
E99	SERVICE	GENERAL ERROR COMING FROM THE CRAD BOARD	CONTACT THE TECHNICAL SUPPORT CENTRE.

3.1.9. ACTIVE FUNCTIONS SIGNALLING CODES

CODE	FUNCTION	INTERVENTION
F08	H E A T I N G A N T I - F R E E Z E F U N C T I O N A C T I V E	WAIT UNTIL THE OPERATION IS COMPLETED
F09	D O M E S T I C C I R C U I T A N T I - F R E E Z E F U N C T I O N A C T I V E	WAIT UNTIL THE OPERATION IS COMPLETED
F28	A N T I - L E G I O N E L L A	WAIT UNTIL THE OPERATION IS COMPLETED
F33	S Y S T E M A I R R E L E A S E C Y C L E I N P R O G R E S S	WAIT UNTIL THE OPERATION IS COMPLETED
FH	F A S T H 2 O	YOU CAN ACTIVATE/ D E A C T I V A T E D IT BY HOLDING SIMULTANEOUSLY AND FOR 7 SECONDS THE RESET  AND  OF THE 'S'  SYMBOL.

To activate/deactivate the Fast H2O function please follow the instruction indicated in the paragraph 'ACTIVE FUNCTIONS SIGNALLING CODES'.

3.1.10. FAST H2O FUNCTION

The Fast H2O function keeps a constant temperature in the DHW circuit within the boiler, according to the temperature set by the user.

The Fast H2O function offers three advantages:

- › the hot water is immediately supplied at the requested temperature.
- › unnecessary delays are avoided by increasing the comfort of the final user.
- › water wastes are limited waiting that the water reaches the right temperature.

3.1.11. COVER CLEANING

Clean the cover of the device using a wet cloth and come neutral soap.



WARNING

DONOT use abrasive or powder detergents as they might damage the plastic cover and control elements.

3.1.12. DISPOSAL

The device and all its accessories must be differentiated, suitably disposed of in accordance with the standards in force.



The use of the symbol WEEE (Waste Electrical and Electronic Equipment) shows that this product cannot be dismantled as domestic waste. Proper dismantle of this product helps preventing potentially negative consequences on human health and environment.



FLEXIHEAT UK LTD

www.flexiheatuk.com

01202 822221