

# ThermoMax

## Product description

ThermoMax is a floor standing high power electric boiler that can be used as primary heating source for industrial purposes. Cascade connection without need for external controller can be used for high power demands. Doesn't include pump and expansion vessel.

## Features

- Power range from 120 to 500 kW
- Three phase connection for all powers
- Includes heating elements and safety thermostat
- Outlet and inlet pipes on back side
- Electronic control panel
- Protection from low voltage, air in boiler, freezing and pump lock
- PID regulator with up to 15 steps -(7 Steps for 120kW model ) the rest are 15 steps
- External limitation of maximum power
- External signal for displaying alarm and active power

## Benefits

- Can be connected to cascade without external controller
- 3-year warranty



0-6  
bar



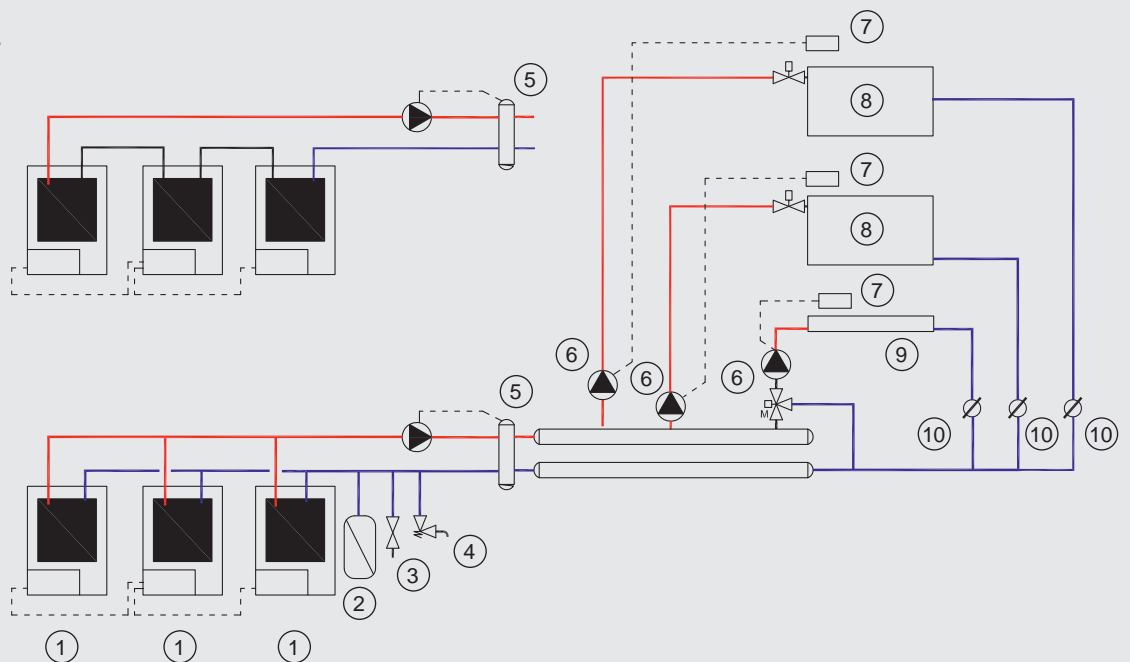
## Components

1. Primary flow connection
2. Return flow connection
3. External boiler jacket
4. Boiler
5. Thermal insulation
6. Electric heaters
7. Control panel
8. Terminals for power connection
9. Contactor and MCBs
10. Charge and discharge valve
11. Cooling fan



## Usage sample

1. ThermoMax
2. Expansion vessel
3. Filling and draining valve
4. Safety valve
5. Hydraulic separator
6. Heating zone pumps
7. Room thermostat
8. Radiator heating system
9. Underfloor heating system
10. Non-return valve



## Specifications

### ThermoMax

#### General

Heating energy output

120, 150, 180 kW

210, 255, 300, 500 kW

#### Dimensions and weight

Width

743 mm

1033 mm

Height

1420 mm

1420 mm

Depth

780 mm

780 mm

Weight

274, 289, 297 kg

366, 386, 396, 418 kg

#### Power supply

Three phase

YES

YES

# New control panel



Guided by market demands and constant improvements we are introducing new control panel with graphic display. Graphic display allows user friendly display of boiler's status, warning messages and simple access to all settings. Menus and messages can be multilingual, depending on market needs. Various functions like cascade regulator, pump protection, external alarm and active power display are available.

Detailed description of features and their availability depends on boiler type.

## Features

- Graphic display
- Multilingual
- Date and time
- Wizard for basic settings
- End user menu
- Installer's menu protected with password
- Weather compensator - On Upgraded "O" option controller
- Radiator or underfloor heating type can be selected from menu
- Rapid heating function in case of weather compensator
- Cascade control
- Pump lock protection
- Over run for heating and DHW pump - available on upgraded "V" control panel
- PID regulator with up to 15 steps
- Delay between power steps
- Limitation of maximum boiler power
- Protection for air in boiler, low voltage, freezing, low or high pressure in boiler
- External limitation of maximum power
- External signal for displaying alarm and active power