



FLEXIHEAT UK LTD

www.flexiheatuk.com

01202 822221

Thermo Extra 28-96

Product description

Thermo Extra is a wall hung electric boiler that can be used as parallel or spare heating source for industrial purposes. Can be also used as standalone heating source. Doesn't include pump and expansion vessel.

Features

- Power range from 28 to 96 kW
- Three phase connection for all powers
- Includes heating elements and safety thermostat
- Outlet and inlet pipes on top
- Electronic control panel
- Protection from electric shock (RCD)
- Protection from low voltage, air in boiler, freezing
- White color (can be ordered in different color)

Benefits

- Easy installation
- Simple to use
- Simple and easy maintenance
- Can be connected to cascade without external controller
- 3-year warranty



0-3
bar



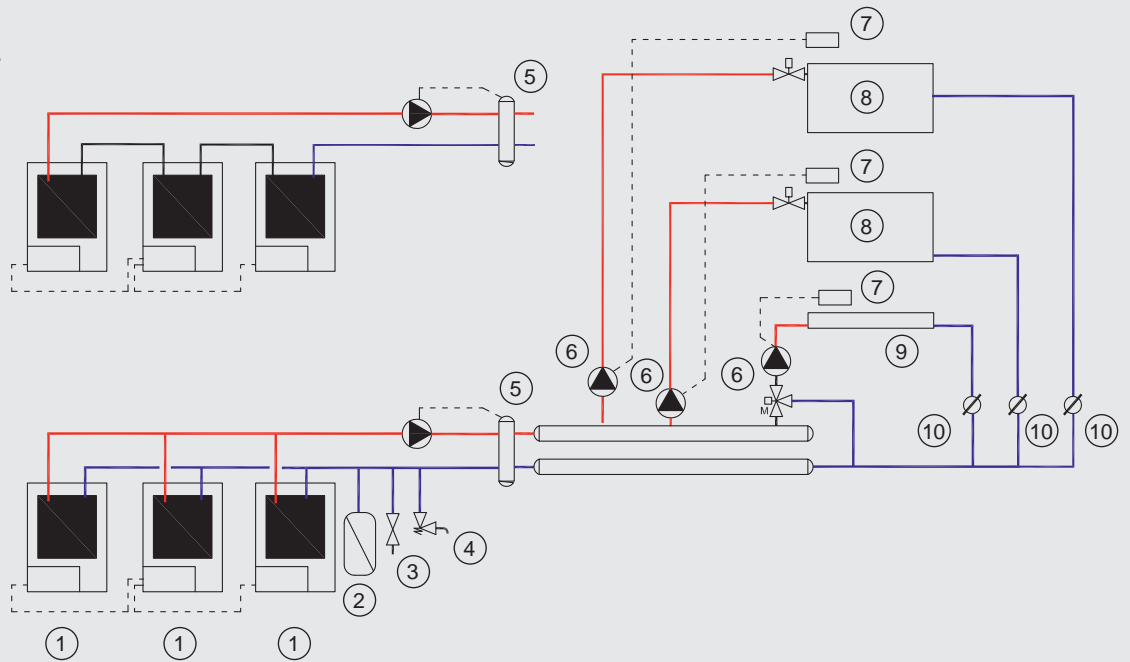
Components

1. Primary flow connection
2. Return flow connection
3. External boiler jacket
4. Boiler
5. Thermal insulation
6. Electric heaters
7. Control panel
8. Conduits for el. connections
9. Contactors
10. MCBs
11. Charge and discharge valve
12. Cooling fan



Usage sample

1. Thermo Extra
2. Expansion vessel
3. Filling and draining valve
4. Safety valve
5. Hydraulic separator
6. Heating zone pumps
7. Room thermostat
8. Radiator heating system
9. Underfloor heating system
10. Non-return valve



Specifications

Thermo Extra 28-96	28-60	64-96
General		
Energy class	D	D
Heating energy output	28, 32, 36, 40, 44, 48, 52, 56, 60 kW	64, 72, 80, 88, 96 kW
Dimensions and weight		
Width	400 mm	550 mm
Height	930 mm	930 mm
Depth	310 mm	310 mm
Weight	45 kg	72 kg
Power supply		
Single phase	NO	NO
Three phase	YES	YES