

FHATLX

ErP
Energy related Product
2018



Newest outdoor gas heater for farms which reduces energy consumption up to 20%

Flexiheat Indirect Gas heater – FHATLX range are indirect combustion gas blowers specially designed for livestock buildings such as poultry houses. It reduces energy consumption by up to 20%. Its closed combustion system prevents against CO₂ emissions inside the house, which reduces the necessity of ventilation and improves the environment inside the farm.

TYPICAL APPLICATION



Livestocks



Greenhouses

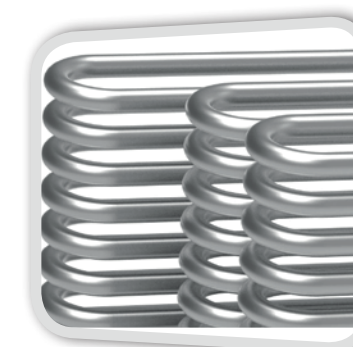
Indirect gas heater

The indirect gas heater is running with natural gas (G20/G25) or propane (G31). The range includes 2 models of 50 and 80 kW designed for outdoor installation.

Product advantages	Customer benefits
No CO2 emission - Less ventilation	Improve indoor climate conditions
Large heat exchanger surface	Efficiency up to 95%
Outdoor installation	Free space inside the building
Digital control board with remote control	Easy to manage
No combustive flame sources	Safety device
Less humidity inside the house	Cleaner environment, reduce risks of dermatitis
No disassembly and reassembly	Save cleaning time
Technical compartment outside the farm	Easy commissioning and maintenance



[Multi-jet burner]



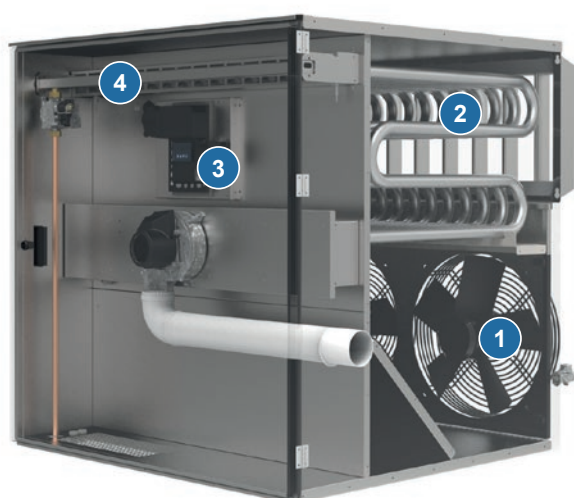
[Tubular heat exchanger]



[Axial fan]



[Integrated control board]



- 1 Axial fans
- 2 Tubular heat exchanger
- 3 Integrated control board
- 4 Burner

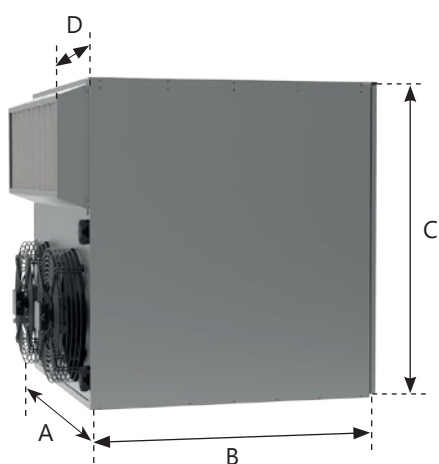
ATLX

Performances



Models	ATLX55	ATLX85
Gas Input (kW)	50	80
Nominal Output (kW)	47	75
Efficiency (%)	> 91 %	> 91 %
Air flow T 15°C (m3/h)	3 500	7 000
Delta T° (C°)	30	31.5

Dimensions



Models	FHATLX55	FHATLX85
A (mm)	740	1 122
B (mm)	1 125	1 125
C (mm)	1 105	1 105
D (mm)	160	160
Gas (mm)	3/4"	3/4"
Fumes (mm)	80	80
Weight (Kg)	200	280

Flue connection



Part numbers and details

Models		FHATLX55	FHATLX85
Indirect gas heater + support legs		FHATLX55	FHATLX85
Gas conection	Natural gas kit 20 or 25 mBar	1	KGN20
	Natural gas kit 300 mbar	2	KDGN100
	Propane gas kit 1,5 Bar	3	KDP100
	Flexible gas conection	4	FLEXIND3/4
Flue pipe	Sealed roof chimney B22	5	KB2280ATLX
	Single extension 1m		LE80100
Fix.	Support legs	6	Included with gas heater
Regulation	Switch disconnecter	7	BSAT4P
	Controller	8	REG402M
	Smart Controller	9	REG311
	Interface unit		REGMOD

