

SERIES

MINIJET

ULTRA-COMPACT SUSPENDED GAS FIRED HEATERS

WARM AIR HEATERS



FLEXIHEAT UK LTD

Flexible Heating & Dehumidification Solutions

01202 822221

www.flexiheatuk.com

CERTIFIED IN ACCORDANCE WITH:
GAS DIRECTIVE 90/396/CEE
LOW TENSION DIRECTIVE 73/23/CEE
MACHINE DIRECTIVE 89/392/CEE
ELECTROMAGNETIC COMPATIBILITY DIRECTIVE 89/336/CEE

EFFICIENCY ~ 92%

Suspended gas-fired air heaters, with high combustion efficiency. For indoor installation, with direct air throw, patented high efficiency stainless steel AISI 430 combustion chamber and heat exchanger.

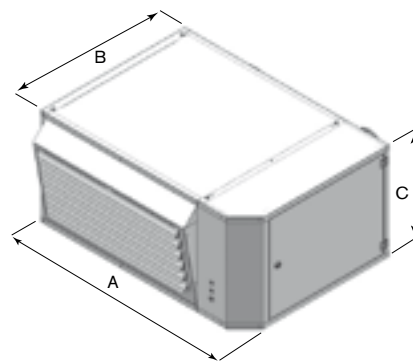
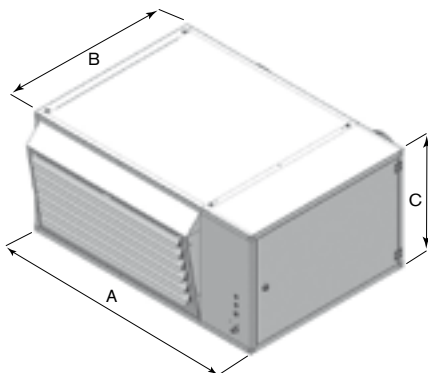
A totally sealed combustion circuit, centrifugal smoke extractor, electronic burner ignition and flame control by ionisation, low sound pressure level propeller fans, electronic control and safety system, cabinet heater robustly constructed out of painted steel panels, fitted with a radiant sheet insulation.

Available in two different versions:

MJ SINGLE STAGE with one heating capacity output and one air flow stage (ON-OFF).

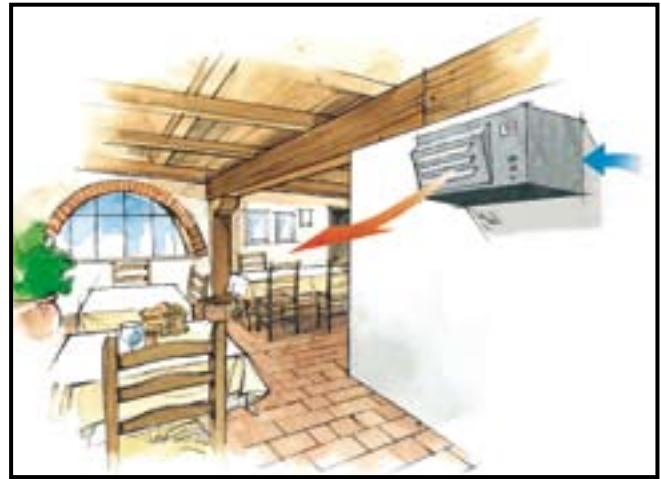
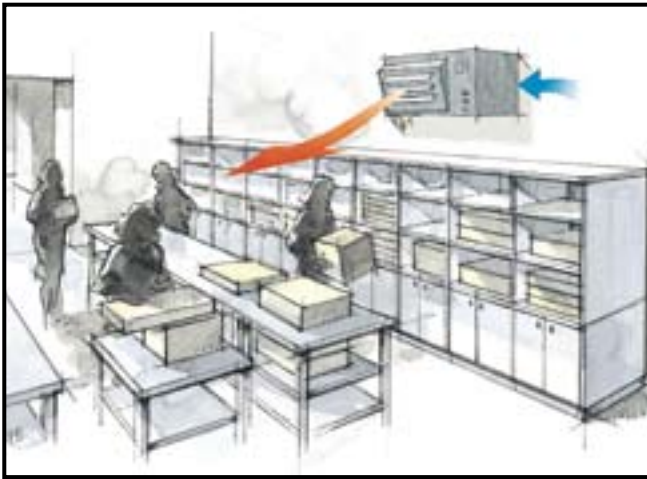
MJ BI-POWER with heating output and airflow, on two stages.

OVERALL DIMENSIONS



Models	Dimensions mm			Chimney Ø mm	Weight Kg
	A	B	C		
MINIJET 20	885	625	420	80	54
MINIJET 30	885	625	420	80	62
MINIJET 40	885	625	420	80	66





TECHNICAL SPECIFICATIONS

SERIES **MINIJET**

MINIJET SERIES SINGLE-STAGE

Models	Unit	MINIJET 20	MINIJET 30	MINIJET 40
Heating capacity input	kW	17,3	27,2	36,7
	kcal/h	14.870	23.390	31.560
USEFUL heating capacity output	kW	16	25	34
	kcal/h	13.760	21.500	29.240
Max. efficiency	%	92,5	92	92,5
Air flow rate	Nm ³ /h	1.630	2.550	3.450
Air throw	m	14	17	18
Temperature deviation	°K	29	29	29
Electrical supply	V - 50Hz	230 ~	230 ~	230 ~

MINIJET SERIES DELUXE BI-POWER

Models	Unit	MINIJET 20 - 4		MINIJET 30 - 4		MINIJET 40 - 4	
Power level	kW	MAX	MIN	MAX	MIN	MAX	MIN
Heating capacity input	kW	17,3	12,1	27,2	19	36,7	25,5
	kcal/h	14.870	10.406	23.390	16.340	31.560	21.930
USEFUL heating capacity output	kW	16	10,9	25	7,2	34	22,9
	kcal/h	13.760	9.375	21.500	14.790	29.240	19.695
Max. efficiency	%	92,5		92		92,5	
Air flow rate	Nm ³ /h	1.630	1.290	2.550	2.040	3.450	2.710
Air throw	m	14		17		18	
Temperature deviation	°K	29	25	29	25	29	25
Electrical supply	V - 50Hz	230 ~	230 ~	230 ~	230 ~	230 ~	230 ~

